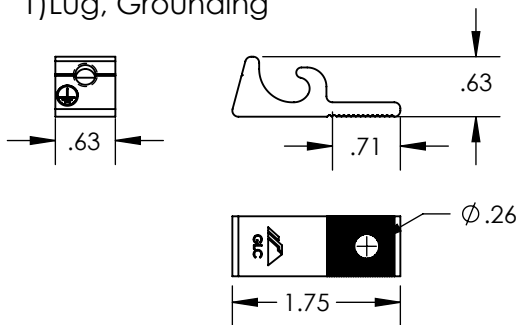


| ITEM NO. | DESCRIPTION | QTY. IN KIT |
|----------|--------------------------------------|-------------|
| 1 | LUG, GROUNDING, LAY-IN - LOW PROFILE | 2 |
| 2 | BOLT, 1/4-28 X .750" HEX CS SST | 2 |
| 3 | NUT, FLANGE HEX 1/4-20 SST | 2 |
| 4 | BOLT, T CSTM 1/4-20 X 1.188" LOCK SS | 2 |

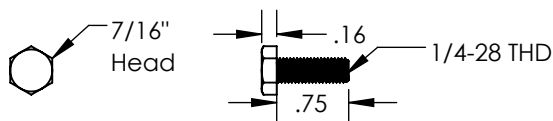
| Part Number | Description | Wire Size Range (AWG) |
|-------------|---------------------------------------|-----------------------|
| GD-LUG-003 | KIT, 2PCS, GROUNDING LUG, LOW PROFILE | 4-10 |

1) Lug, Grounding



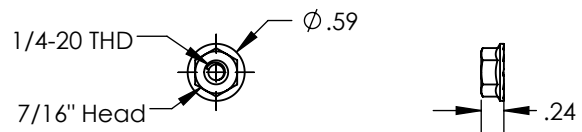
| Property | Value |
|----------|-------------------|
| Material | Tin Plated Copper |
| Finish | Clear Matte |

2) Bolt, 1/4-28 x .750 Hex



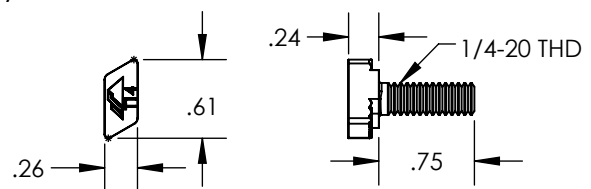
| Property | Value |
|----------|----------------------------|
| Material | 300 Series Stainless Steel |
| Finish | Clear |

3) Nut, Flange Hex 1/4-20



| Property | Value |
|----------|----------------------------|
| Material | 300 Series Stainless Steel |
| Finish | Clear |

4) Bolt, T CSTM 1/4-20 x .750



| Property | Value |
|----------|----------------------------|
| Material | 300 Series Stainless Steel |
| Finish | Clear |