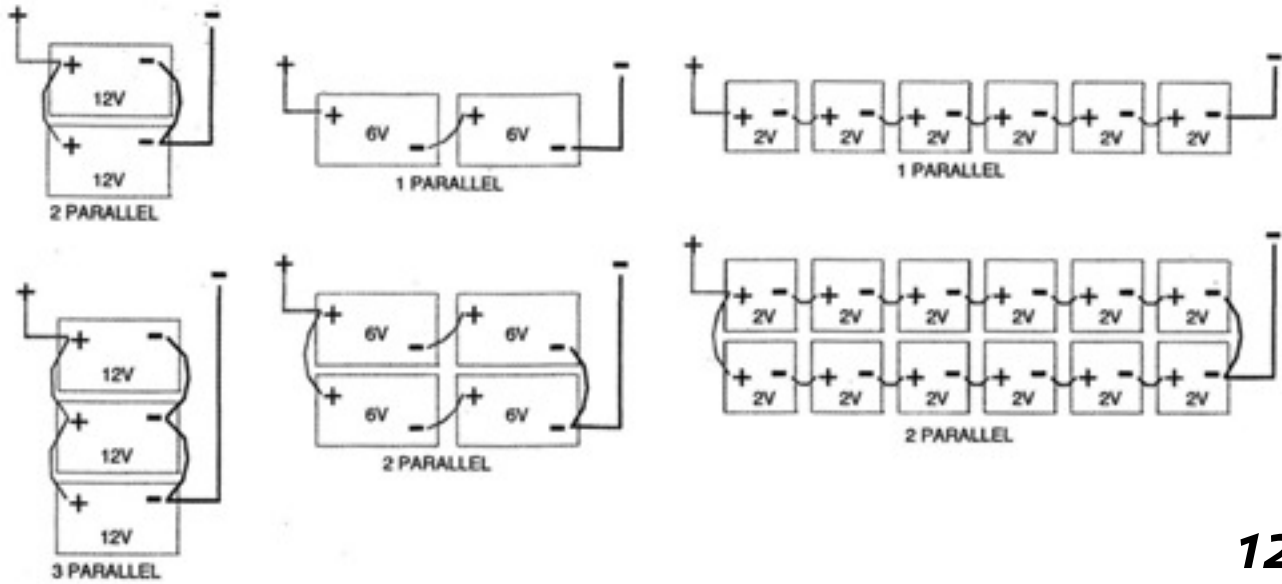
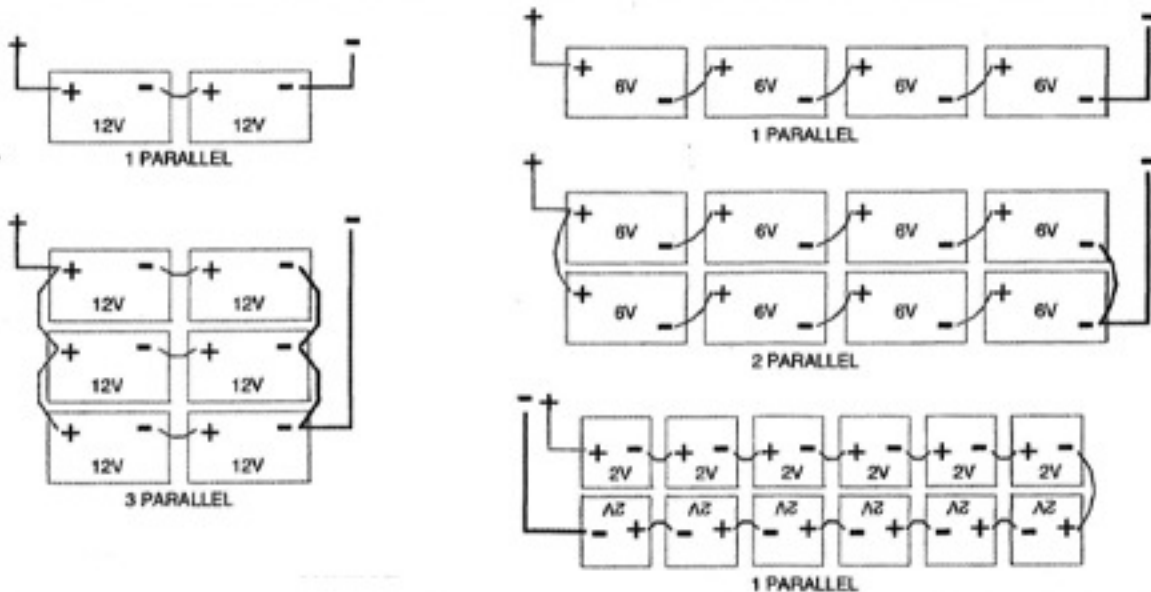


# SolarPanelStore.com Battery Wiring Diagrams

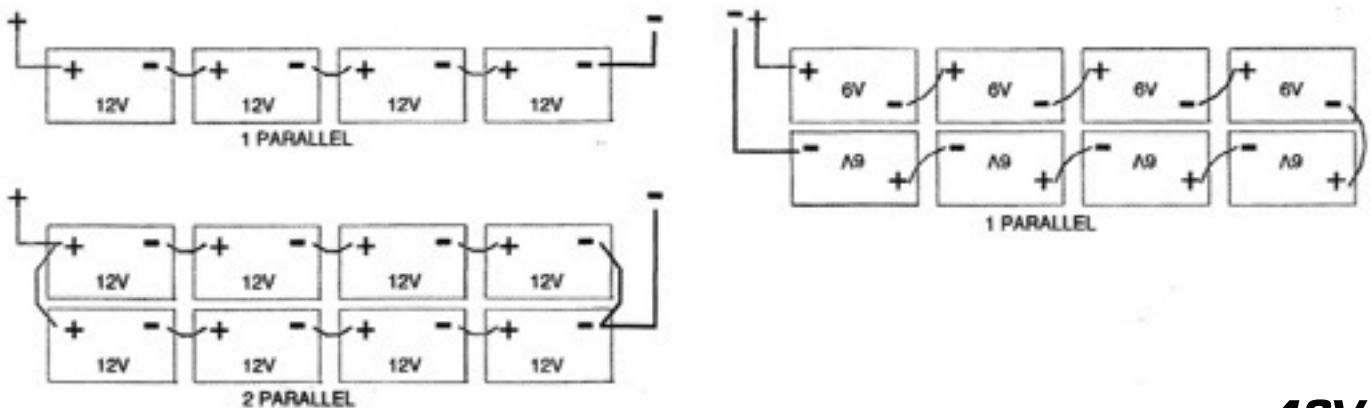
The diagrams below show typical 12, 24, and 48 Volt battery wiring configurations. Batteries can deliver extremely high current. Always install fuse protection on any positive wiring connected to batteries. We do not recommend exceeding more than three parallel strings for optimal charging and battery bank life.



**12V**



**24V**



**48V**