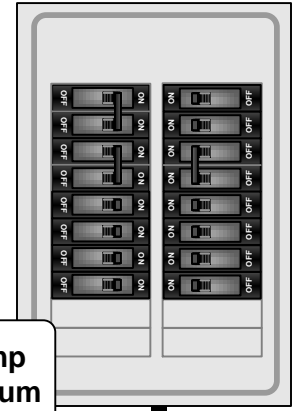
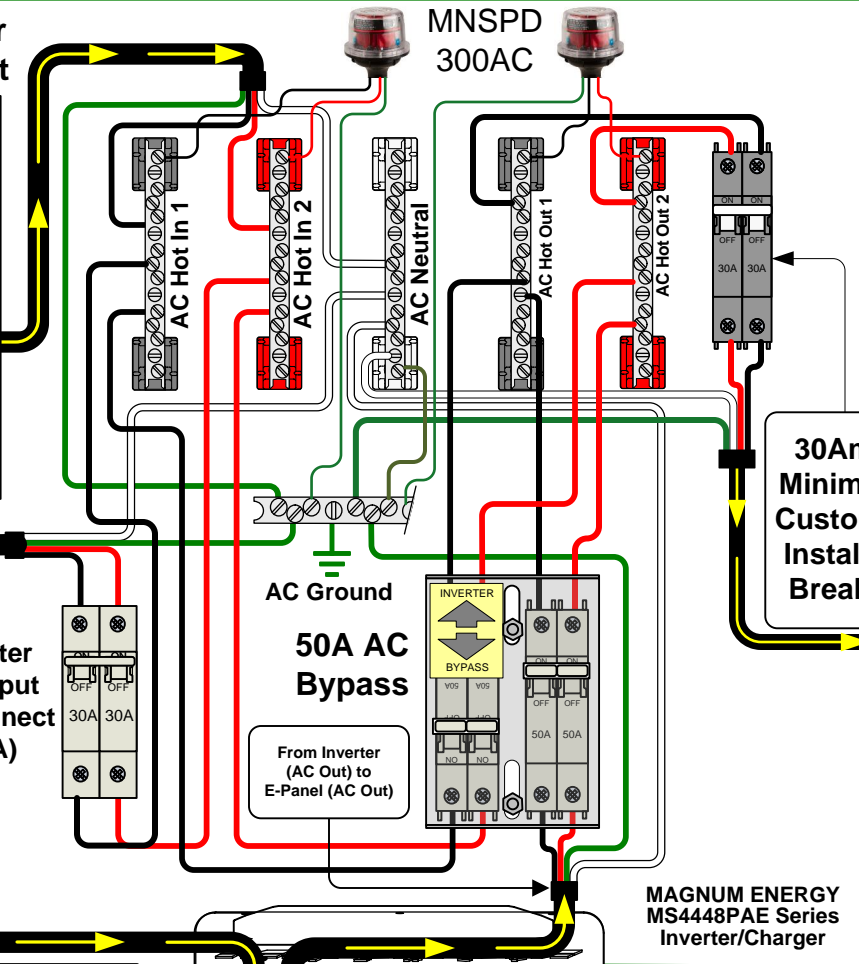
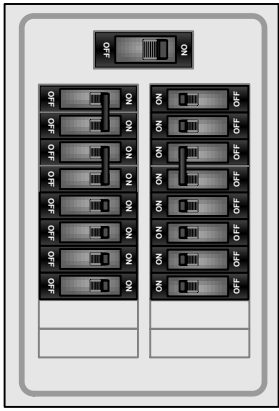


Utility or Generator  
120/240VAC Output

MNSPD  
300AC

120/240VAC  
Load Panel

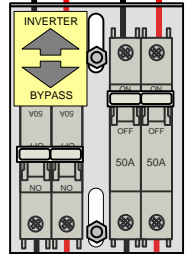


30Amp  
Minimum  
Customer  
Installed  
Breaker

From  
E-Panel  
(AC In)  
to  
Inverter  
(AC In)

Inverter  
AC Input  
Disconnect  
(30A)

AC Ground  
50A AC  
Bypass



From Inverter  
(AC Out) to  
E-Panel (AC Out)

From  
E-Panel  
(AC out)  
to  
Load  
Center

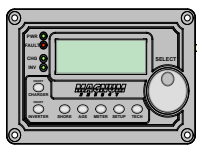
MAGNUM ENERGY  
MS4448PAE Series  
Inverter/Charger

Optional Breakers/Disconnects  
(6 spaces max @ 13mm)

### AC WIRING

### DC WIRING

Remote Control RC-50,  
ARC50 or Magnum Router



Battery  
Temperature  
Sensor

DC -  
Buss

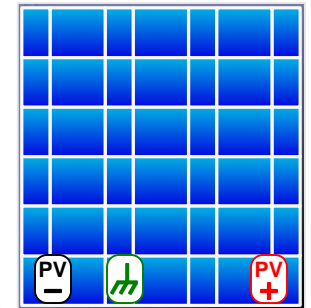
DC  
Shunt

Main Battery  
Shutoff 175A

DC +  
Buss

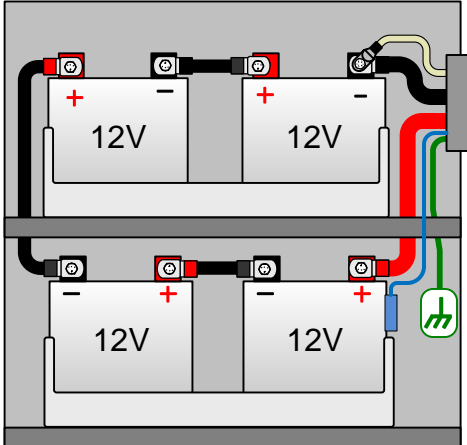
MIDNITE SOLAR  
Classic 150  
Controller

PV Panels



PV +  
Buss

Battery Bank  
(48VDC)



DC  
Ground

PV Output MNEC90

PV + Input  
MNEC80

MNSPD  
300DC

Note AC and DC Grounds go to the Same  
BusBar, Drawn Separate for clarity