

### Kestrel Series

# KS-2100



**LM79 LM80 L70:5+ YEARS**

### Features

- Most affordable, high quality module on the market
- Save power. Save time. Save money.
- Power loading made easy with 1 watt/mod
- 12 volt mod, 165 lm/mod!
- 180° Kestrel Optics
- HanleyPRO Layout Creator at [hanleyledsolutions.com](http://hanleyledsolutions.com)

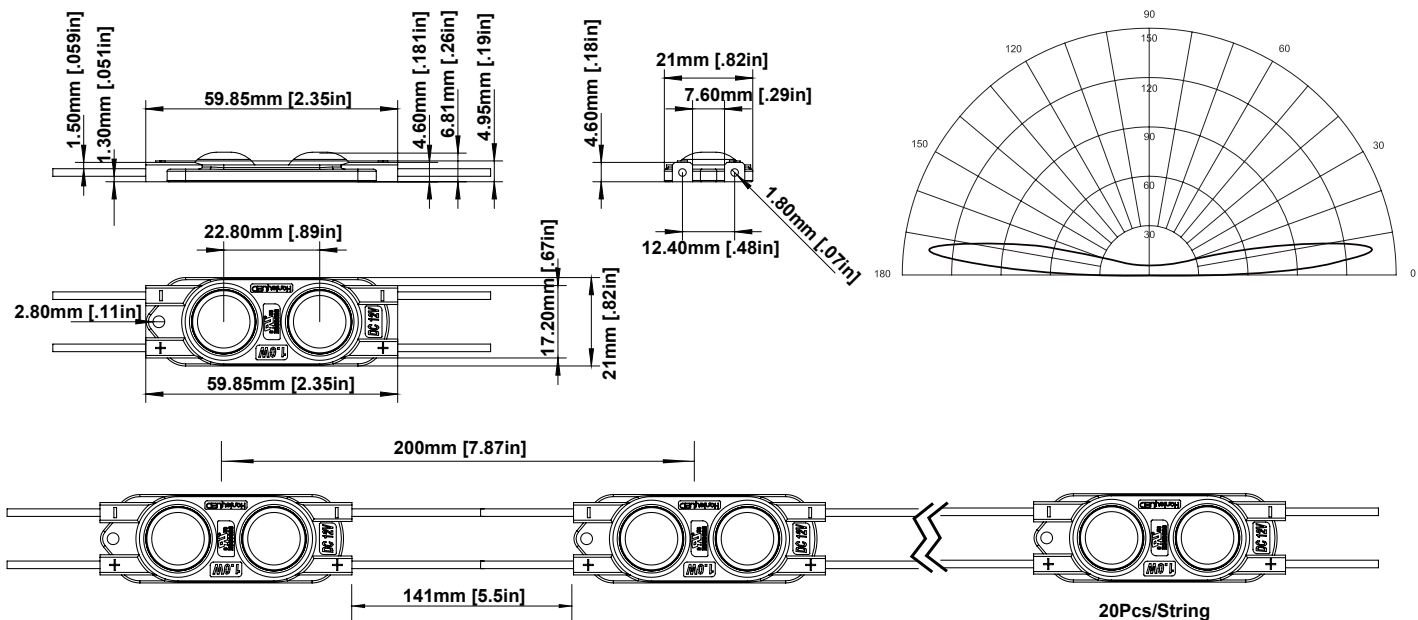
### Specifications

<b>Viewing Angle</b>	180° Kestrel Optics
<b>Input Voltage</b>	12vDC
<b>Watts</b>	1w/mod (1.5w/ft.)
<b>Luminous Efficacy</b>	165 (lm/W)
<b>Modules/Foot</b>	1.5/ft. fully stretched
<b>Protection Grade</b>	IP65 water proof
<b>Packaging</b>	Anti-static bag, 80 modules (53 ft)/bag 10 bags/box
<b>Warranty</b>	10 Year (Product) / 5 Year (Labor)
<b>Operating Temp.</b>	-40° ~ +60 °C / -40° ~ +140 °F
<b>Storage Temp.</b>	-40° ~ -70 °C / -40° ~ +158 °F
<b>Cascade</b>	20mods single-ended power feed 40mods double-ended power feed

Color	Part#	Color Temp	Lumens
Pure White	HLED-KS2100W	7500K	165 lm/mod (247 lm/ft.)
Cool White	HLED-KS2100W10K	10000K	160 lm/mod (240 lm/ft.)

MAX POWER SUPPLY LOAD						
MODEL	35W	60W	100W	120W	150W	240W
KS-2100	35mods	60mods	100mods	120mods	150mods	240mods

### Profile Drawings



### Light Distribution

