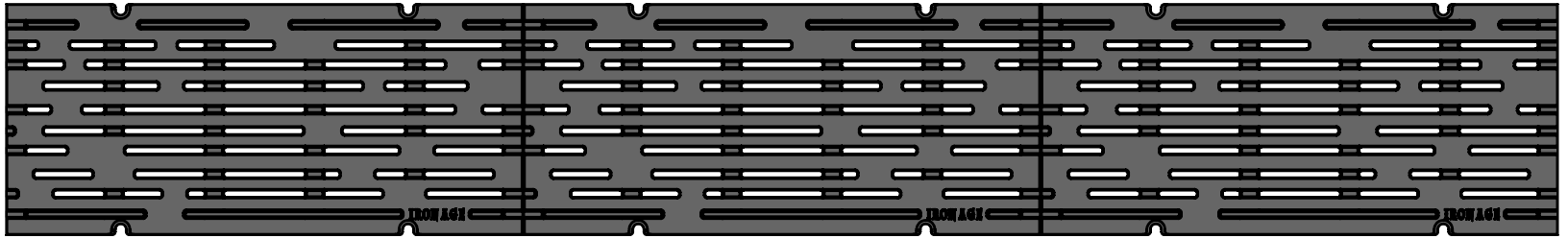
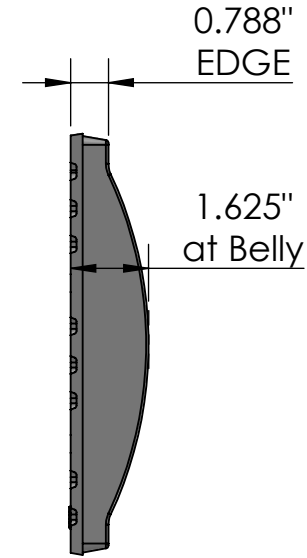
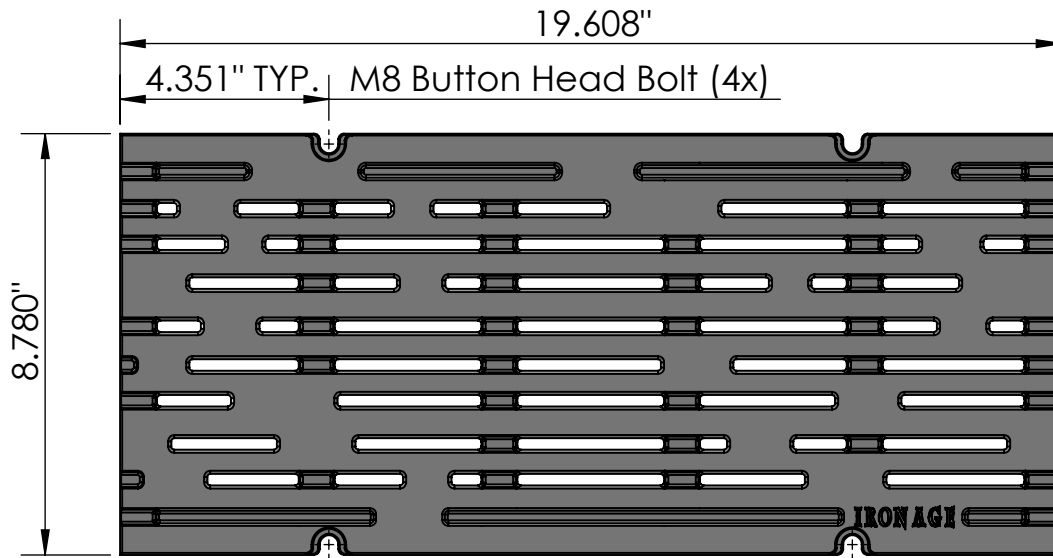


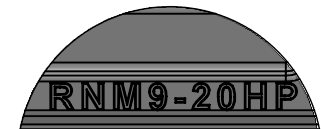
3 ARRAY
scale 1:7



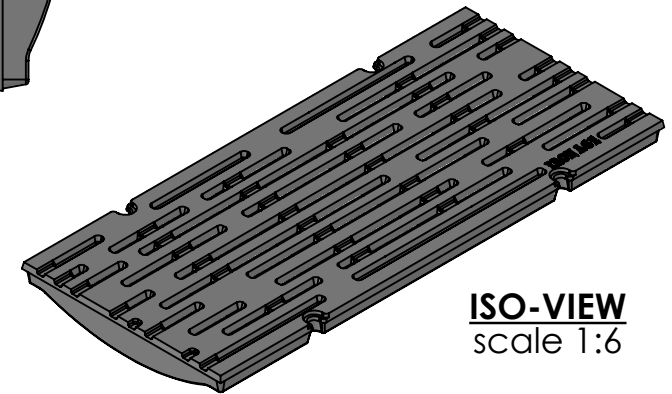
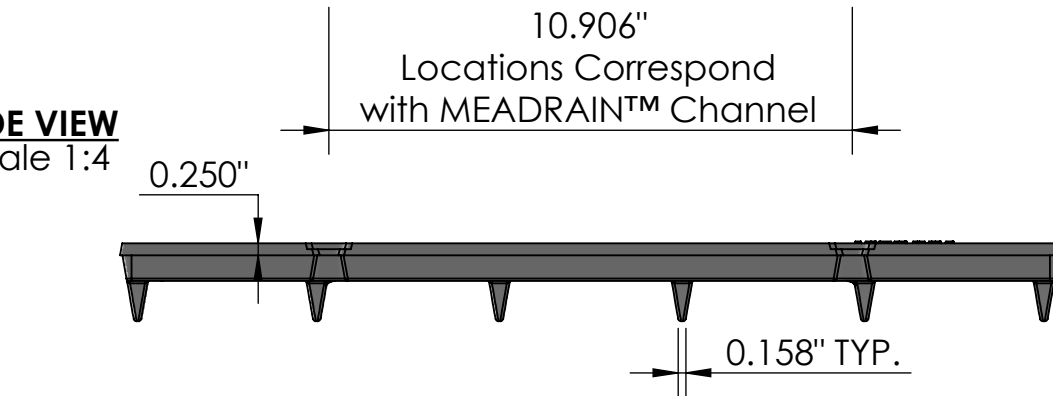
TOP VIEW
scale 1:4



CASTING-ID
scale 1:2



SIDE VIEW
scale 1:4




ISO-VIEW
scale 1:6

NOTES:

1. Heelproof: No thru openings greater than 1/4".
2. Ships in pieces: 1
3. Due to casting inconsistencies, all dimensions are nominal.

Made in USA ©2019 Iron Age Designs

Rain 9" x 20" Trench Grate - Heel Proof

 IRON AGE DESIGNS Telephone 206.276.0925 www.ironagegrates.com	Material: Ductile Iron 65-45-12	Weight: 18.45 lbs.	Free Drain Area: 23.02 in/sq., or 13.37 %	By: MS Checked: MS Date: 11-30-21
	Finish: Raw	Edge: 0.788"	Flow Rate: 30.16 GPM, or .067 CuFt./sec.	© Registration: Pending Scale: NTS
	Fits: MEADRAIN™ EN2000	Product ID: RNM9-20I22HP	Drawing Name: 04_RAI_M_9x20HP_TrenchGrate	