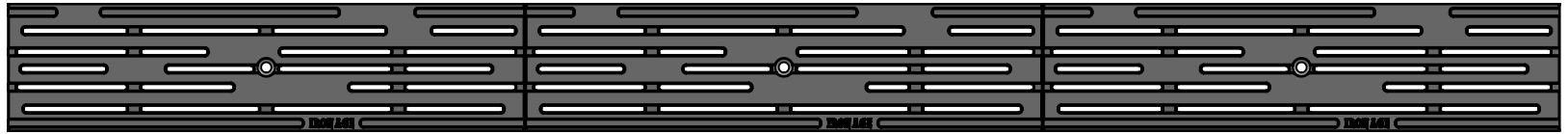
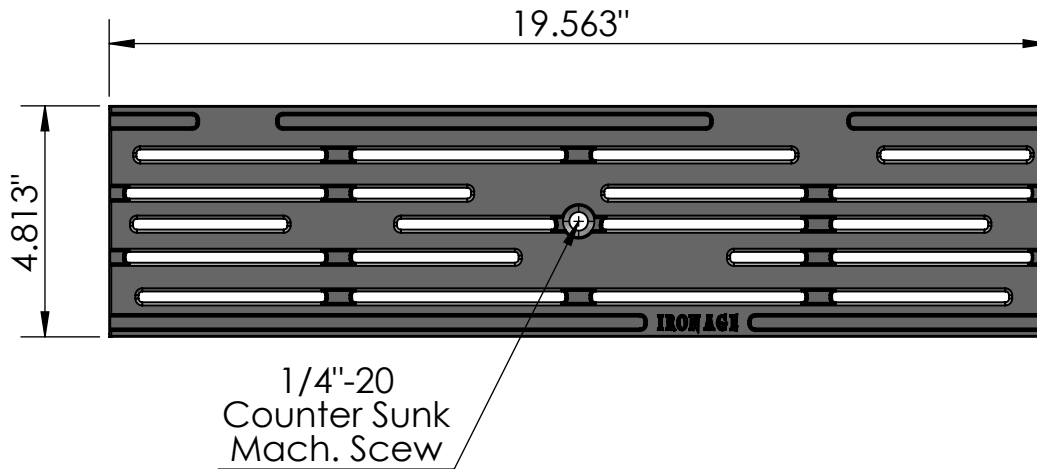


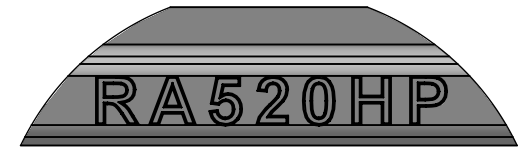
3 ARRAY
scale 1:7



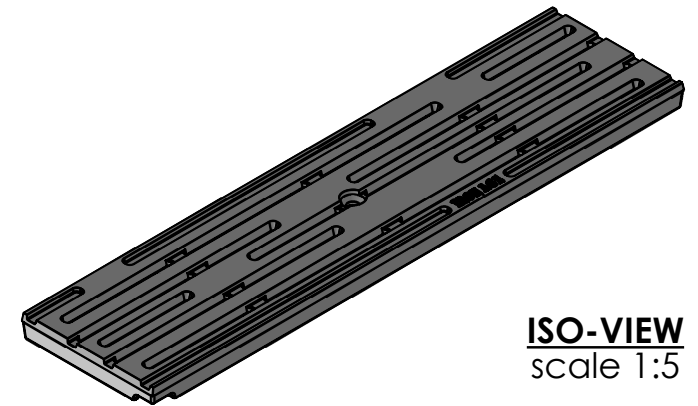
TOP VIEW
scale 1:4



CASTING-ID
scale 1:1



SIDE VIEW
scale 1:4




ISO-VIEW
scale 1:5

NOTES:

1. Heelproof: No thru openings greater than 1/4".
2. Ships in pieces: 1
3. Due to casting inconsistencies, all dimensions are nominal.

Made in USA ©2015 Iron Age Designs

Rain 5" x 20" Trench Grate - Heel Proof

 IRON AGE DESIGNS Telephone 206.276.0925 www.ironagegrates.com	Material: Ductile Iron 65-45-12	Weight: 8.61 lbs.	Free Drain Area: 16.64 in/sq., or 17.68 %	By: MS Checked: MS Date: 3-29-22
	Finish: Raw	Edge: 0.8125"	Flow Rate: 21.80 GPM, or .048 CuFt./sec.	© Registration: VA 1-990-521 Scale: NTS
	Fits: ABT® PolyDrain® MEA® 1000 Series ACO™ K100, K100S, KS100	Product ID: RNA5-20I21HP	Drawing Name: 010_RAI_N_5x20HP_TrenchGrate_Romac	