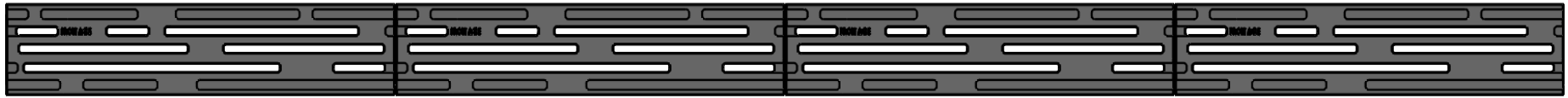
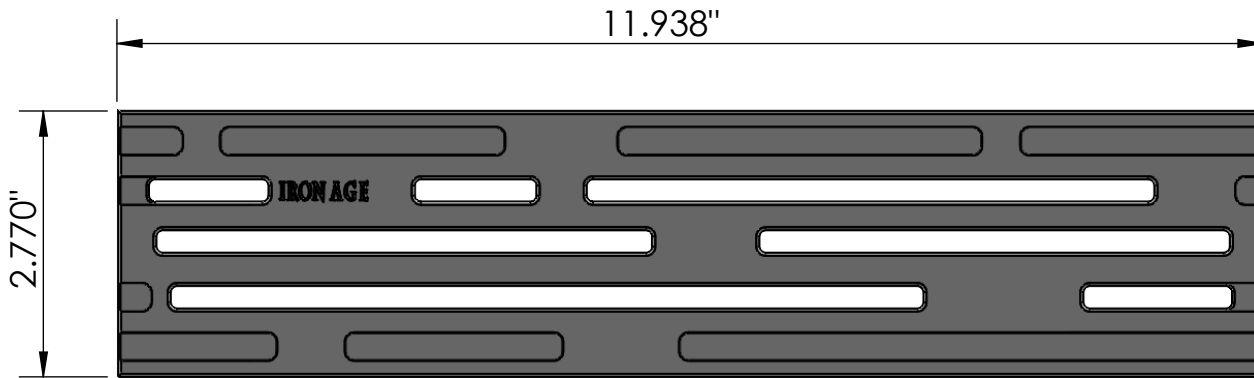


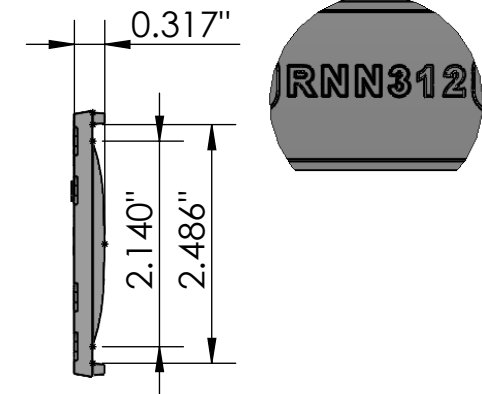
**4 ARRAY**  
scale 1:5



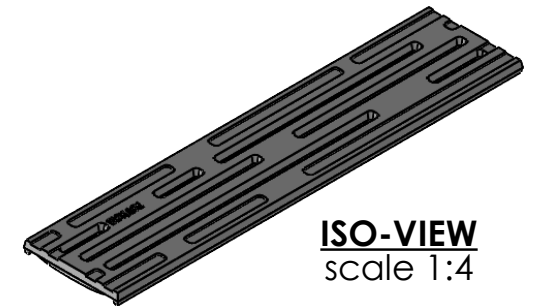
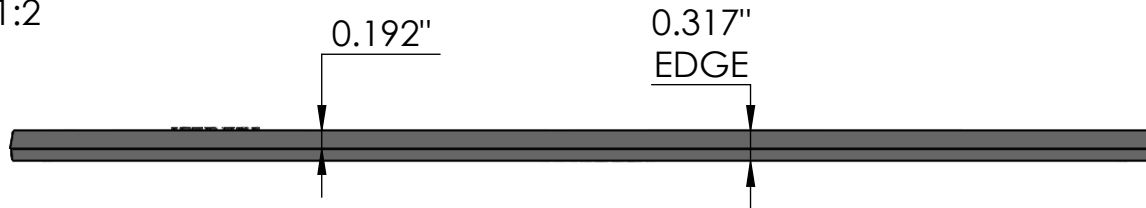
**TOP VIEW**  
scale 1:2



**CASTING-ID**  
scale 1:1



**SIDE VIEW**  
scale 1:2



**ISO-VIEW**  
scale 1:4

**NOTES:**

1. Heelproof: No thru openings greater than ¼".
2. Ships in 1 piece.
3. Due to casting inconsistencies, all dimensions are nominal.
4. Pedestrian Load Only.

Made in USA

©2016 Iron Age Designs

**Rain 3" x 12" Heel Proof Trench Grate**



<b>Material:</b> Cast Ductile Iron 65-45-12	<b>Weight:</b> 1.60 lbs.	<b>Free Drain Area:</b> 6.38 in/sq.	19.31 %	<b>By:</b> MS	<b>Checked:</b> MS	<b>Date:</b> 8-27-20
<b>Finish:</b> Raw	<b>Edge:</b> .317"	<b>Flow Rate:</b> 8.36 GPM	.018 CuFt/Sec	<b>© Registration:</b> VA 2-112-756		<b>Scale:</b> NTS
<b>Fits:</b> NDS® Mini Channel	<b>Product ID:</b> RNN3-12I01HP	<b>Drawing Name:</b> 02-RAI.N.3x12_HP_Iron				