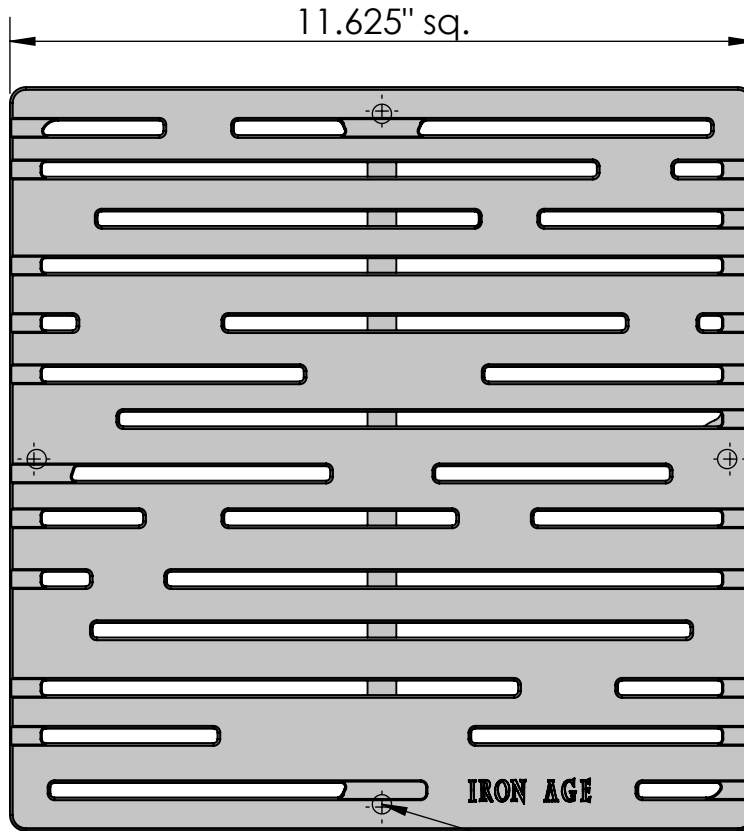


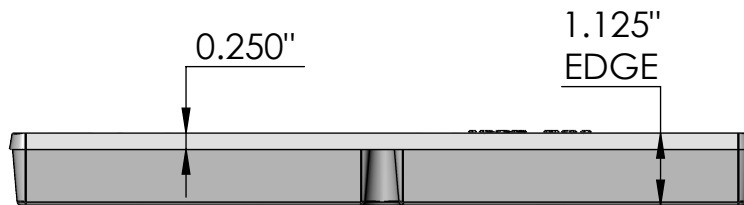
TOP VIEW
scale 1:3



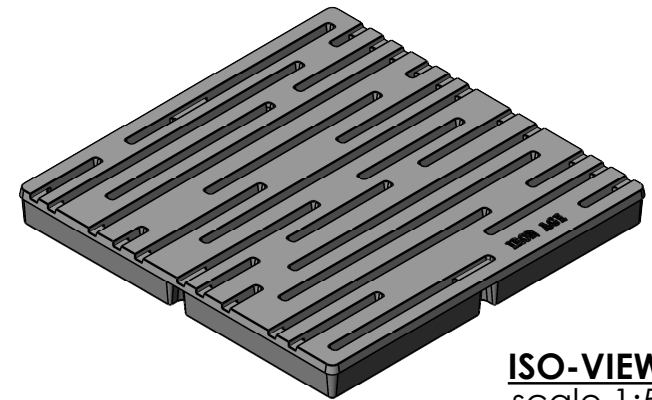
CASTING-ID
scale 1:1



SIDE VIEW
scale 1:3



4x Drill Point
1/4"-20
Pan Head




ISO-VIEW
scale 1:5

NOTES:

1. Heelproof: No thru openings greater than 1/4".
2. Ships in pieces: 1
3. Due to casting inconsistencies, all dimensions are nominal.

Made in USA ©2017 Iron Age Designs

Rain 12" x 12" Catch Basin Grate - Heel Proof

 IRON AGE DESIGNS Telephone 206.276.0925 www.ironagegrates.com	Material: Ductile Iron 65-45-12	Weight: 14.49 lbs.	Free Drain Area: 25.42 in/sq. or 18.81 %	By: MS Checked: MS Date: 12-2-22
	Finish: Raw	Edge: 1.125"	Flow Rate: 33.30 GPM or .074 CuFt./sec.	© Registration: VA 2-112-783 Scale: NTS
	Fits: NDS® 1200 Series	Product ID: RNN12-12HP	Drawing Name: 01_RAI_N_12x12HP_CatchBasin_Iron	