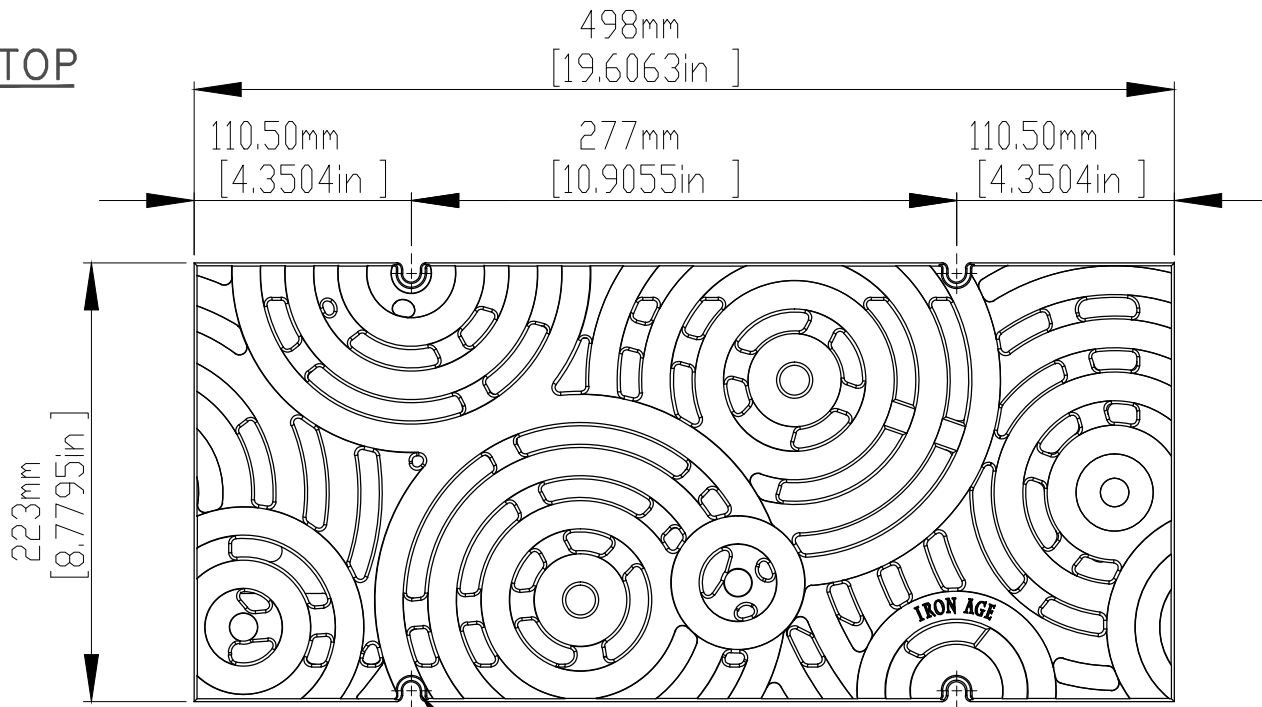
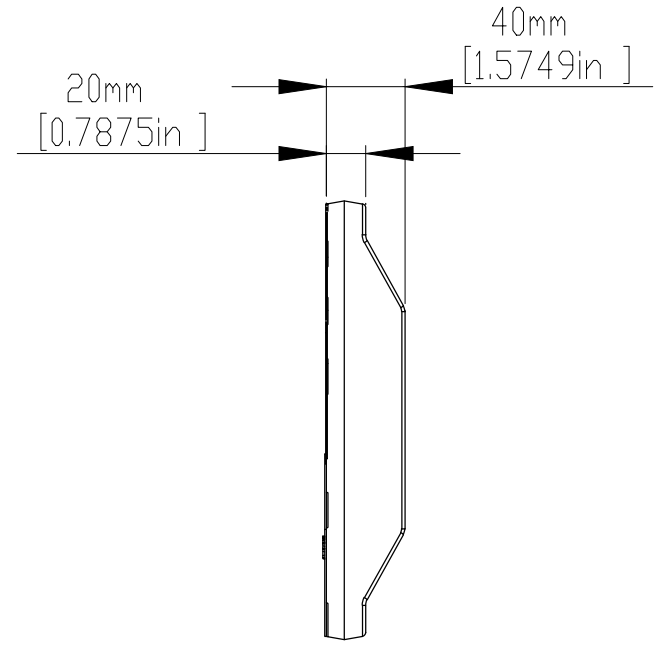


TOP

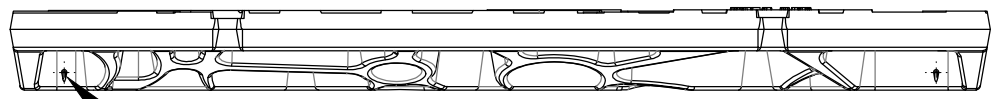


END

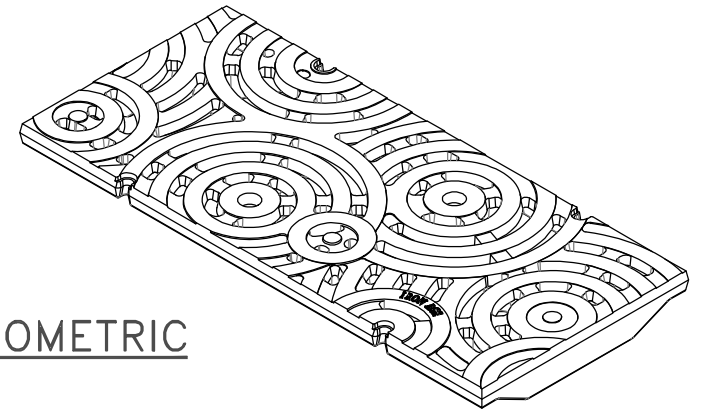


(4X) hole for m8 button-head screw,
 locations correspond w/ bolt-dn holes
 in MEADRAIN™ channel

EDGE




(4X) drill point
 to locate hole for
 PROFIX™



ISOMETRIC

NOTES:

1. Material: cast ductile iron
2. Finish: natural
3. Edge thickness: 20mm/0.79"
4. Fits: MEA® EN2000
5. ADA Compliant: No openings greater than 12mm/1/2"
6. Approx. weight: 28 lbs.
7. Due to casting inconsistencies, all dimensions nominal



**IRON AGE
DESIGNS** 2104 SW 152nd St. #4 TEL 206.276.0925
 Burien, WA 98166 FAX 206.257.0318
 www.ironagedesigns.com

Oblio 9"x20" Trench Grate Drawn by: CD
 DWG No: OBL.M.E600 Date: 01/05/06
 Scale: NTS