

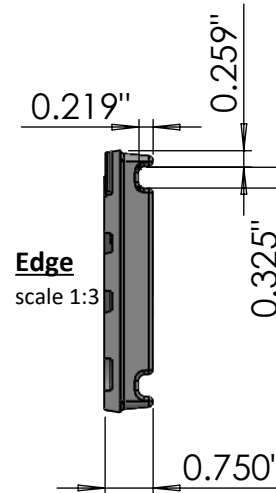
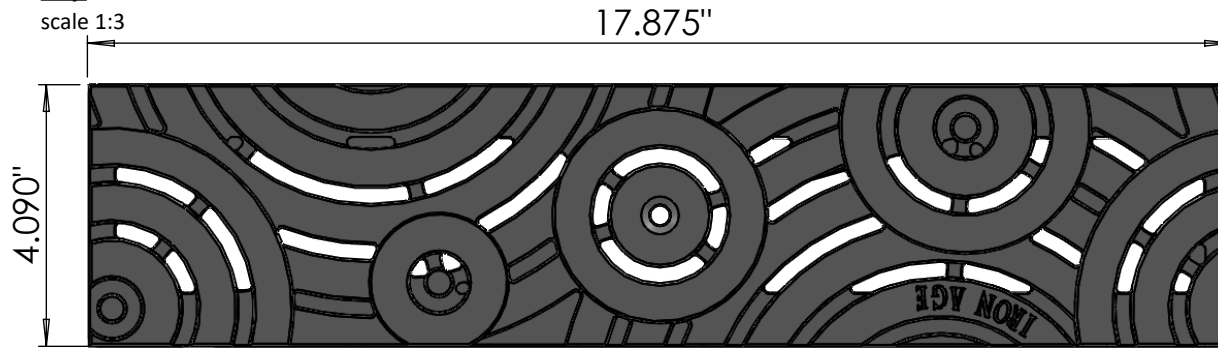
Array 3x

scale 1:7



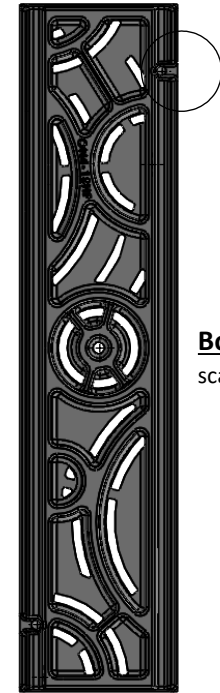
Top

scale 1:3



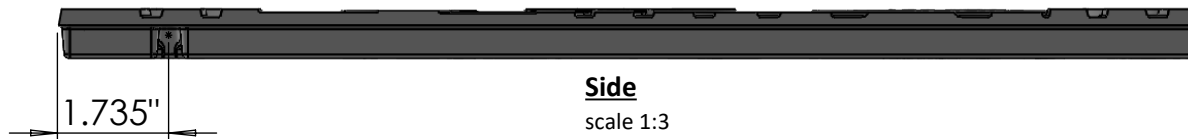
Edge

scale 1:3



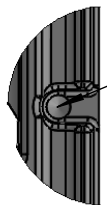
Bottom

scale 1:5



Side

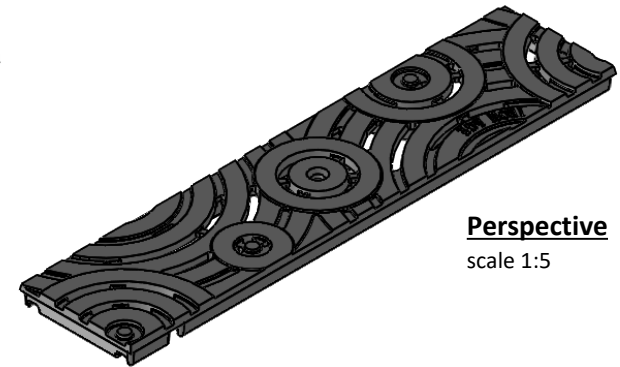
scale 1:3



Divot for
1/4"-20 STD
Bolt Down
(2X)



**Casting
Identifier**



Perspective

scale 1:5

NOTES:

1. Heel Proof: No thru openings greater than 1/4"
2. Ships in 1 piece.
3. Due to casting inconsistencies, all dimensions are nominal.

Made in USA ©2018 Iron Age Designs

Oblio 4" x 18" Heel Proof Trench Grate



Material: Cast Ductile Iron

Standard Finish: Raw

Fits: NDS® Spee-D® Channel

Weight: 7.66 lbs.

Edge Thickness: 0.75"

Product ID: ON4-18I02HP

Free Area 6.92"sq (approx): (9.45%)

Gallon/ Min sq area x FDA (approx): x1.31= 12.38 GPM

Drawing Name: 01_OBL_NDS_4x18_HP

By: JH checked by MS

Date: 11/28/18

Scale: 1:3

© Registration: