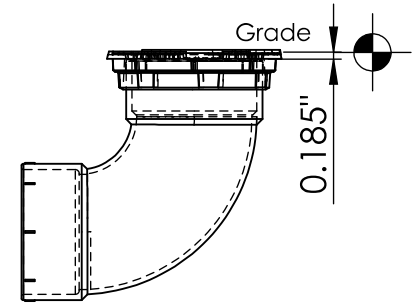
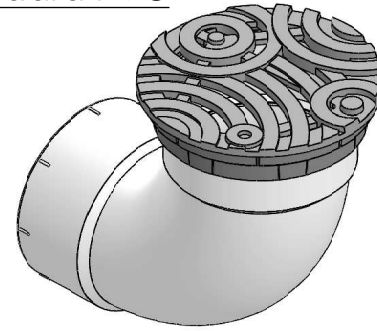
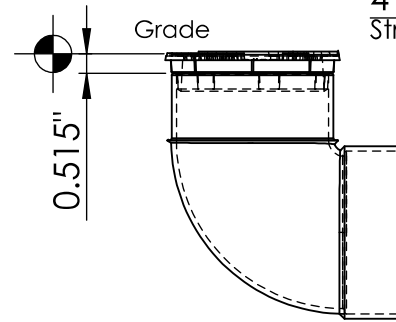


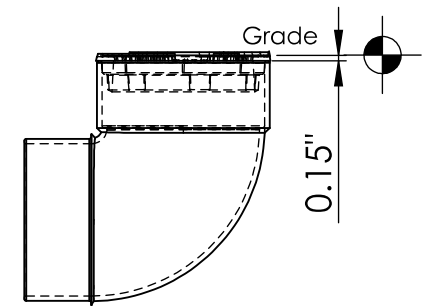
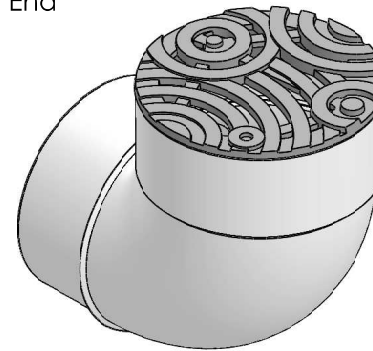
**3" Standard PVC
Bell End**



**4" Standard PVC
Street End**



**4" Standard PVC
Bell End**



NOTES:

1. Material: cast iron
2. Baked-On-Oil Finish
3. Fits PVC Sch.40 Pipe; 3"O.D. Bell End; 4" I.D.;
4" I.D. Bell End
4. Heel-Proof: No openings greater than 1/4"
5. Weight approx. 1 lb
6. Due to casting inconsistencies all dimensions are nominal

IRON AGE 2104 SW 152nd St. #4 TEL 206.276.0925
DESIGNS Burién, WA 98166 FAX 206.257.0318
 www.ironagedrains.com

Oblio 4" Dia. Heel-Proof Drain Grate

JOB NO. Drawn by: JH
 DWG. NO. OBL.4in_pipe Date: 6/21/13
 Scale: NTS