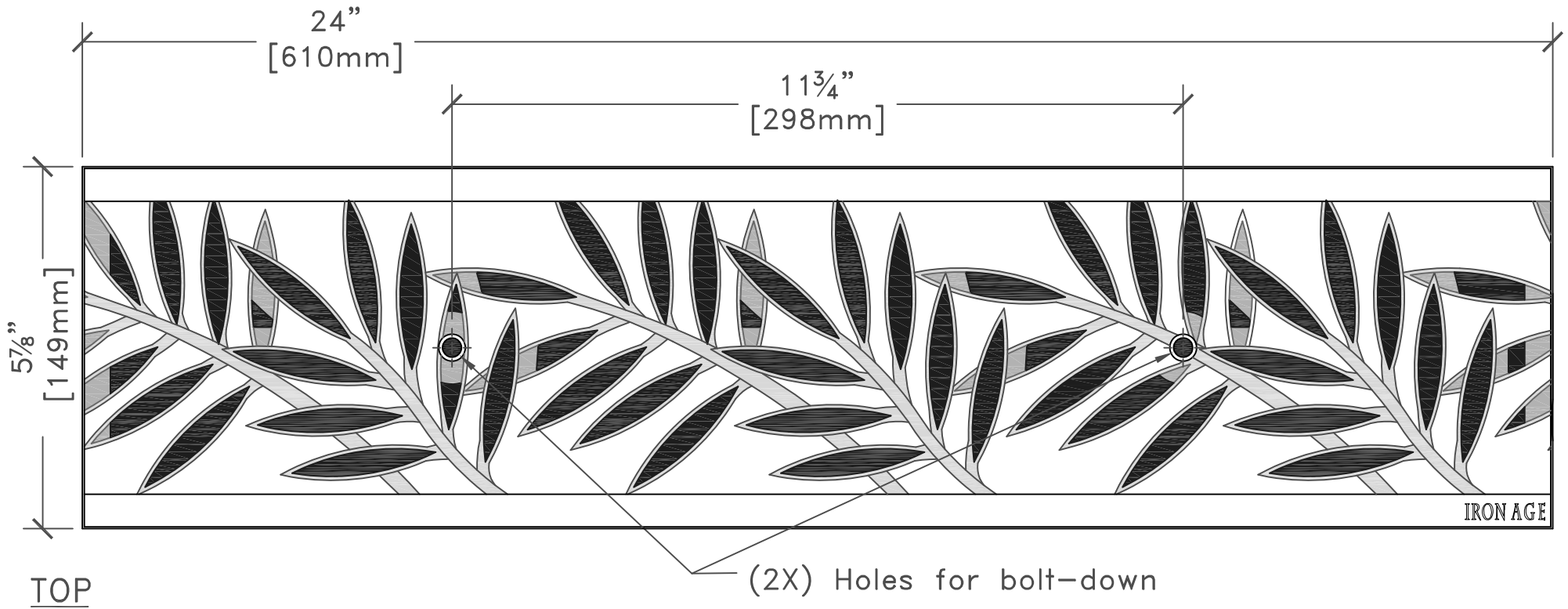




3 GRATES ARRAYED



NOTES:

- | | |
|--------------------------|---|
| 1. Material: cast iron | 5. No openings greater than 1/2" |
| 2. Natural finish | 6. Free Drain Area = 15% |
| 3. Total thickness: 3/4" | 7. Due to casting inconsistencies,
all dimensions are nominal. |
| 4. Fits drain channels | |

manufactured by:
NDS® Dura Slope®

Patent No:
US D563,528 S
Registration Number:
VA 2-007-100



IRON AGE
DESIGNS

2104 SW 152nd St. #4 TEL 206.276.0925
Burien, WA 98166 FAX 206.257.0318
www.ironagegrates.com

Locust 6" x 24" Trench Grate

drawing no. LOC.N.06x24

drawn by: CD
scale: NTS
date: 03/06/06

© 2006 Iron Age Designs