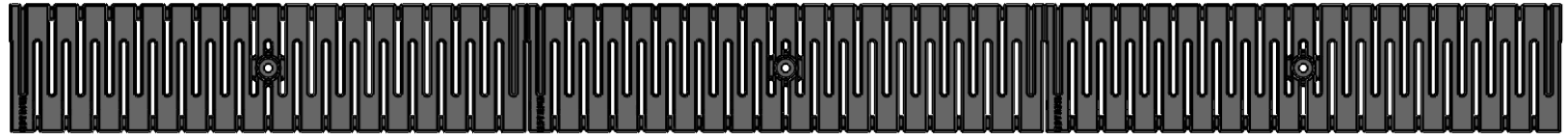
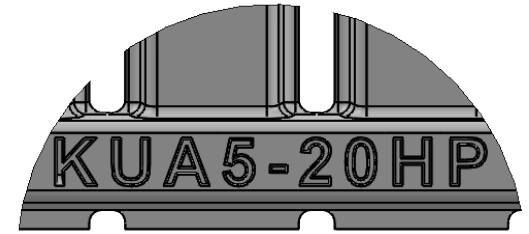
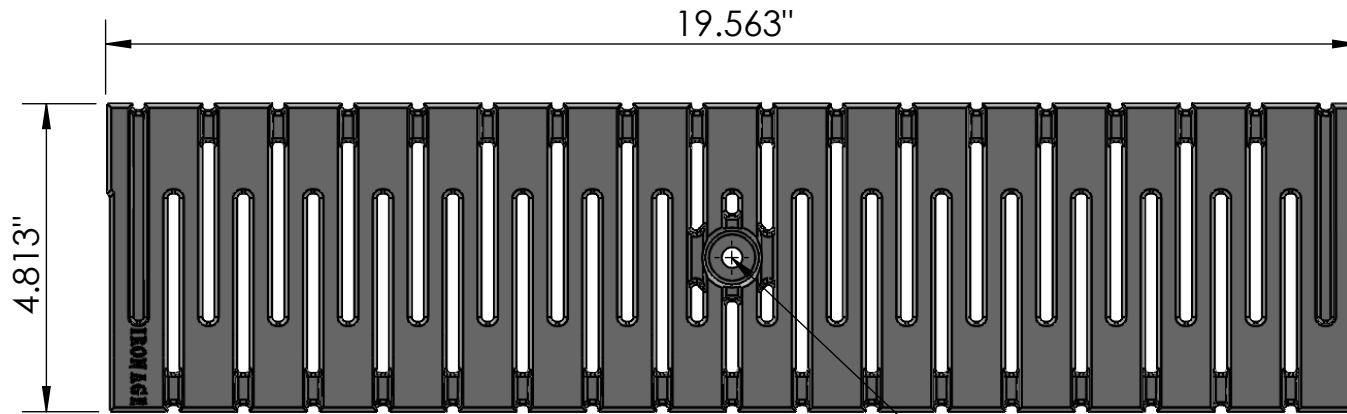


3 ARRAY
scale 1:7



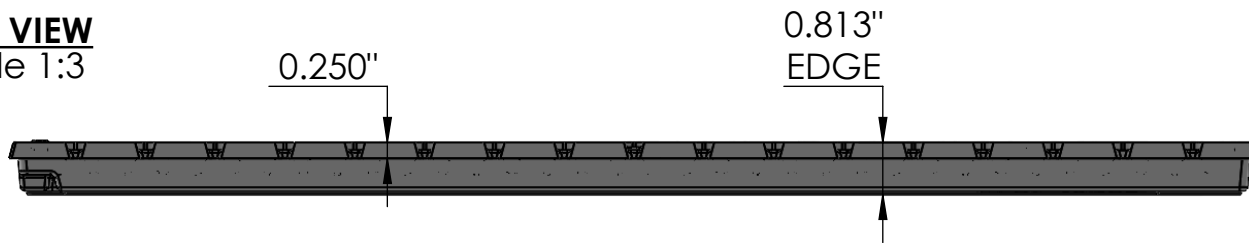
TOP VIEW
scale 1:3



CASTING-ID
scale 1:1

5/16"-18 Pan Head
STD Bolt

SIDE VIEW
scale 1:3




ISO-VIEW
scale 1:7

NOTES:

1. ADA Compliant: No thru openings greater than ¼".
2. Ships in pieces: 1
3. Due to casting inconsistencies, all dimensions are nominal.

Made in USA ©2020 Iron Age Designs

Kurf 5"x 20" Trench Grate - Heel Proof

| | | | | |
|--|--|------------------------------------|---|---|
|  IRON AGE DESIGNS Telephone 206.276.0925 www.ironagegrates.com | Material: Ductile Iron 65-45-12 | Weight: 8.95 lbs. | Free Drain Area: 17.48 in/sq., or 18.56 % | By: MS Checked: MS Date: 5-17-21 |
| | Finish: Raw | Edge: 0.8125" | Flow Rate: 22.90 GPM or 0.051 CuFt./sec. | © Registration: VA 2-246-526 Scale: NTS |
| | Fits: ABT® Polydrain® ACO™ K100/K100S/KS100, MEA® 1000 Series | Product ID: KUA5-20I21HP | Drawing Name: 01_Kurf_A_5x20HP_TrenchGrate | |