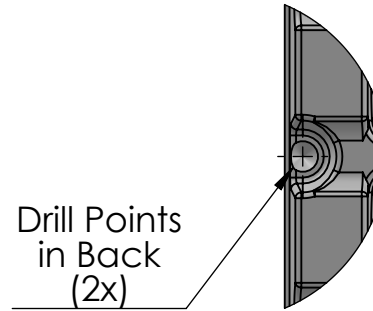
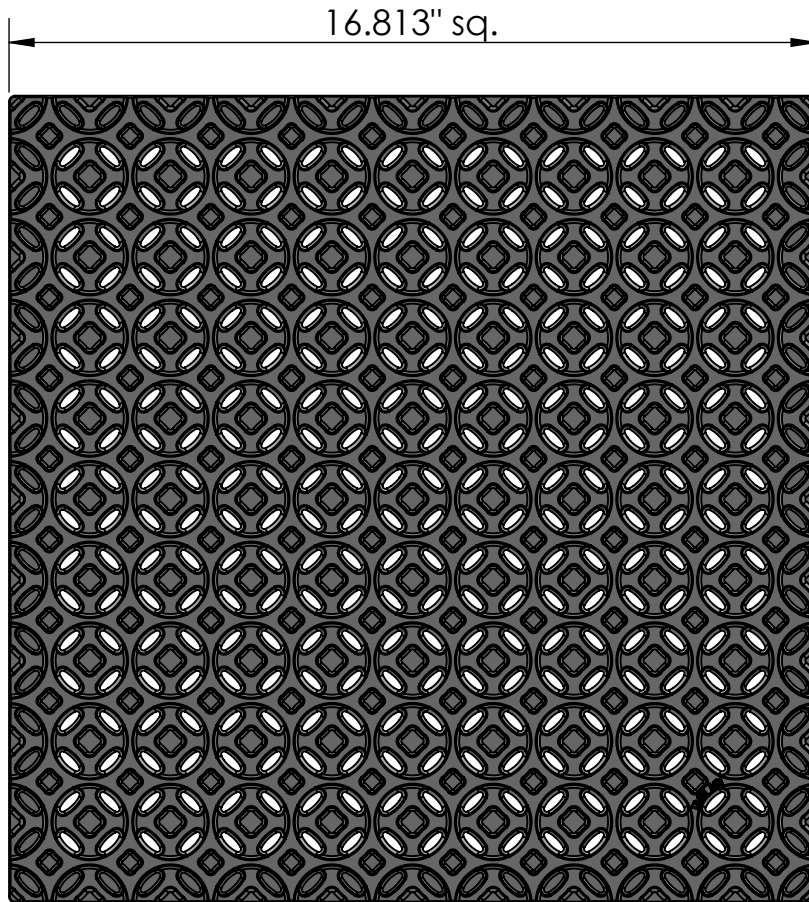
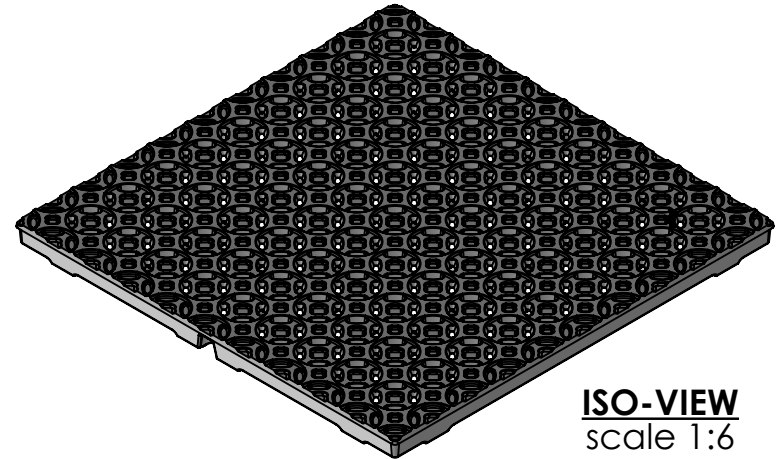
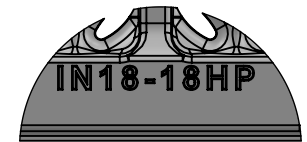


TOP VIEW
scale 1:4

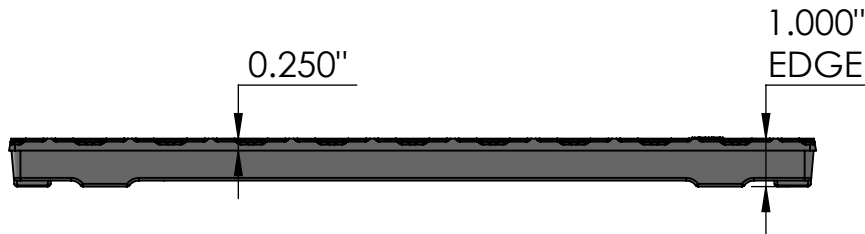


CASTING-ID
scale 1:2



ISO-VIEW
scale 1:6

SIDE VIEW
scale 1:4




NOTES:

1. Heelproof: No thru openings greater than 1/4".
2. Ships in pieces: 1
3. Due to casting inconsistencies, all dimensions are nominal.

Made in USA ©2021 Iron Age Designs

Interlaken 17" x 17" Catch Basin - Heel Proof

 IRON AGE DESIGNS Telephone 206.276.0925 www.ironagegrates.com	Material: Ductile Iron 65-45-12	Weight: 28.92 lbs.	Free Drain Area: 26.38 in/sq., or 9.33 %	By: MS Checked: MS Date: 3-17-22
	Finish: Raw	Edge: 1.000"	Flow Rate: 34.55 GPM, or .077 CuFt./sec.	© Registration: Pending Scale: NTS
	Fits: NDS® NDS® 1800 Series	Product ID: IN18-18I13HP	Drawing Name: 01_INT_N_17x17HP_CatchBasin	