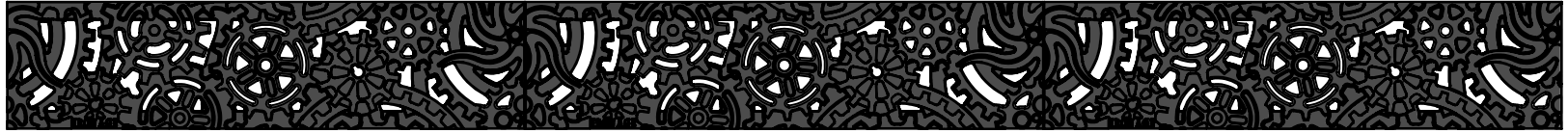
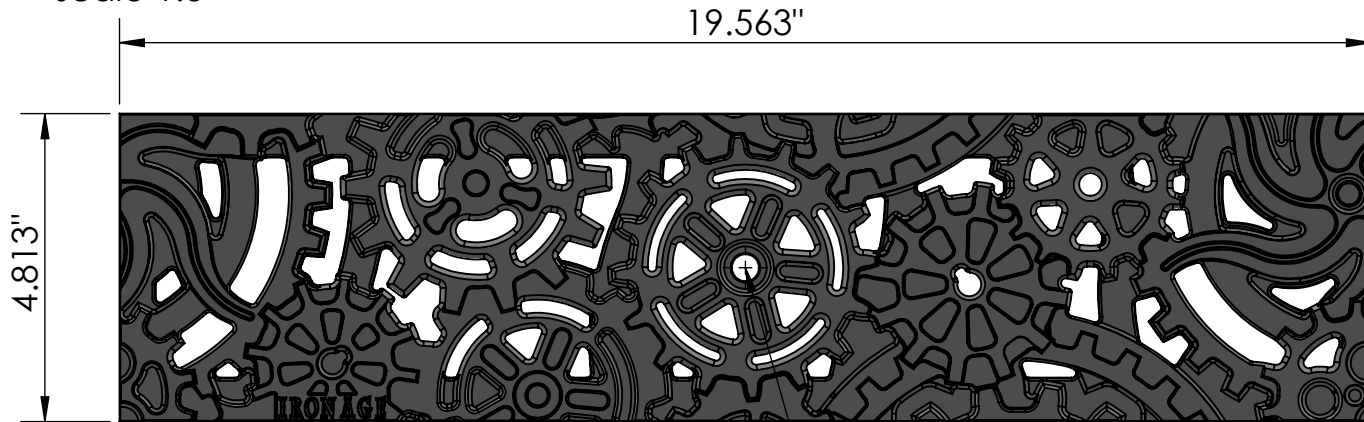


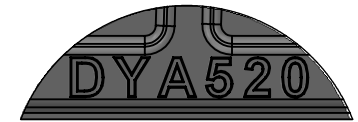
3 ARRAY
scale 1:7



TOP VIEW
scale 1:3

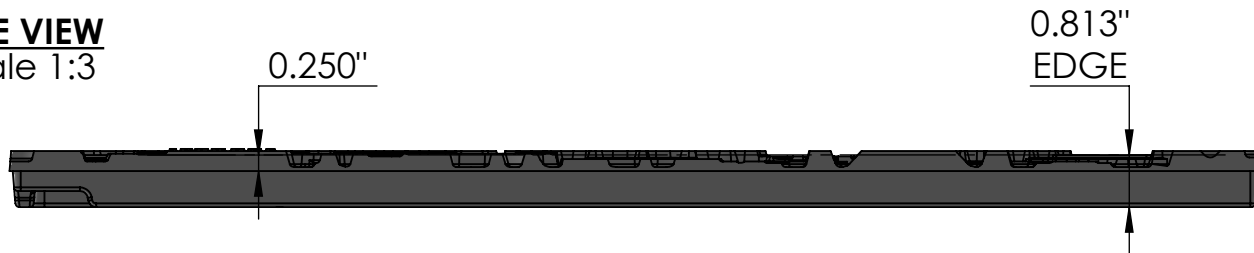


CASTING-ID
scale 2:3



5/16"-18
Pan Head
STD-Bolt

SIDE VIEW
scale 1:3




ISO-VIEW
scale 1:6

NOTES:

1. ADA Compliant: No thru openings greater than 1/2".
2. Ships in pieces: 1
3. Due to casting inconsistencies, all dimensions are nominal.

Made in USA ©2013 Iron Age Designs

Dynamo 5" x 20" Trench Grate

 IRON AGE DESIGNS Telephone 206.276.0925 www.ironagegrates.com	Material: Ductile Iron 65-45-12	Weight: 9.66 lbs.	Free Drain Area: 12.52 in/sq., or 13.30 %	By: MS Checked: MS Date: 8-16-21
	Finish: Raw	Edge: 0.8125"	Flow Rate: 16.41 GPM, or .036 CuFt./sec.	© Registration: VA 1-964-890 Scale: NTS
	Fits: ABT® PolyDrain® ACO™ K100, K100S, KS100 MEA® 1000 Series	Product ID: DYA5-20I21	Drawing Name: 06_DYN_A_5x20_TrenchGrate	