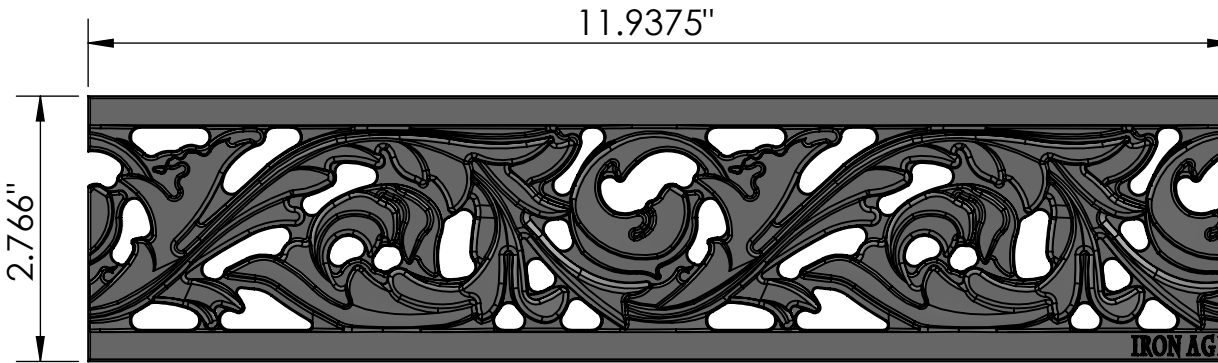


**4 ARRAY**  
scale 1:5

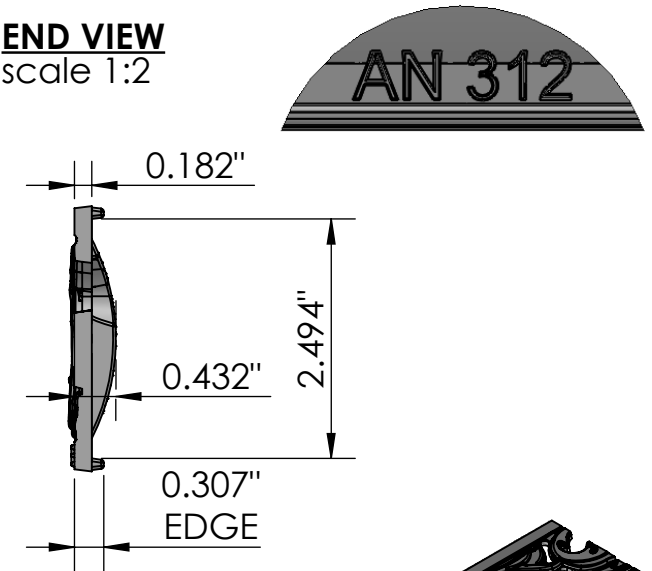


**CASTING-ID**  
scale 1:1

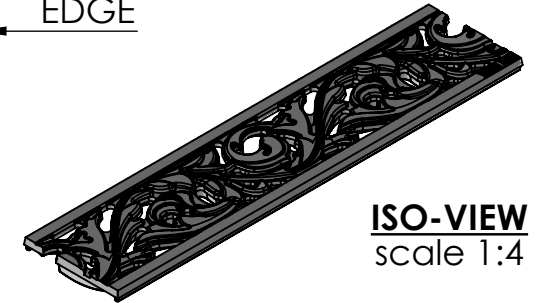
**TOP VIEW**  
scale 1:2



**END VIEW**  
scale 1:2



**SIDE VIEW**  
scale 1:2




**ISO-VIEW**  
scale 1:4

**NOTES:**

1. ADA Compliant: No thru openings greater than 1/2".
2. Ships in pieces: 1
3. Due to casting inconsistencies, all dimensions are nominal.

©2012 Iron Age Designs

**Acanthus 3" x 12" Trench Grate**

 <b>IRON AGE DESIGNS</b> Telephone 206.276.0925 www.ironagegrates.com	<b>Material:</b> Ductile Iron 65-45-12	<b>Weight:</b> 1.88 lbs.	<b>Free Drain Area:</b> 4.93 in/sq., or 14.96 %	<b>By:</b> MS <b>Checked:</b> MS <b>Date:</b> 10-12-23
	<b>Finish:</b> Raw	<b>Edge:</b> 0.307"	<b>Flow Rate:</b> 6.46 GPM, or .014 CuFt./sec.	<b>© Registration:</b> VA 1-970-746 <b>Scale:</b> NTS
	<b>Fits:</b> NDS® Mini Channel By Other	<b>Product ID:</b> ACN3-12101	<b>Drawing Name:</b> 05_ACT_N_3x12_TrenchGrate_Iron_India	