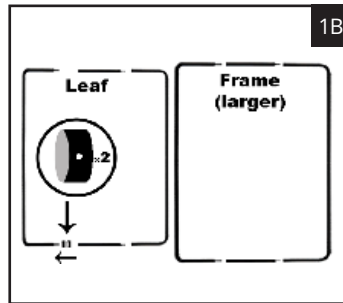
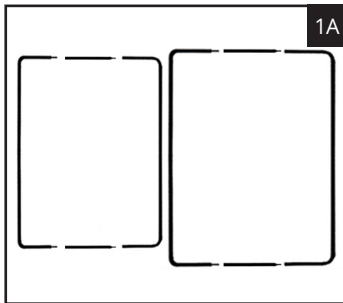




INCLUDED PARTS:

- | | | |
|---|--|------------------------------------|
| (1) Outer Gate Frame (2 pieces) | (1) Set of Hinge Hardware | (1) 2-Part Epoxy |
| (1) Inner Gate Leaf (2 pieces) | (1) Set of Latch Hardware | (1) Bag of (100) Standard Zip Ties |
| (2) Gate Frame & Leaf Extensions (in box 2) | (1) Set of Tension Hardware (in box 2) | |

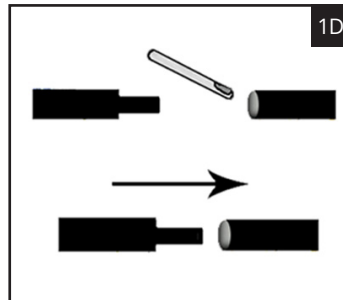
1 ASSEMBLE GATE FRAME AND LEAF



1A. Lay out matching parts of the outer frame and inner gate.

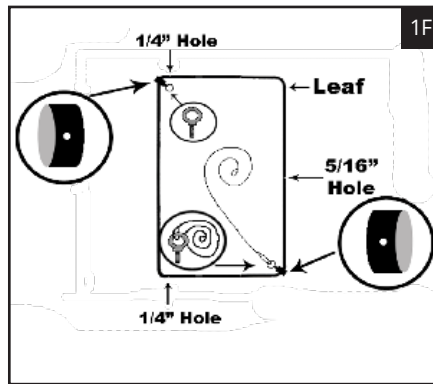
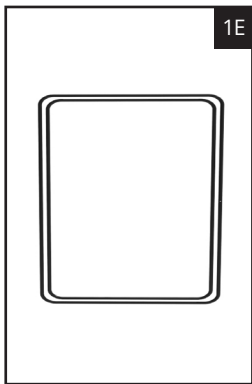
1B. Slide two collars from the tension hardware pack onto gate leaf (inner frame).

Please Note: Collars should be placed on opposite sides, as seen in diagram **1F** below.



1C. Mix epoxy on a paper plate or piece of disposable cardboard. Mix 1:1 using directions on package.

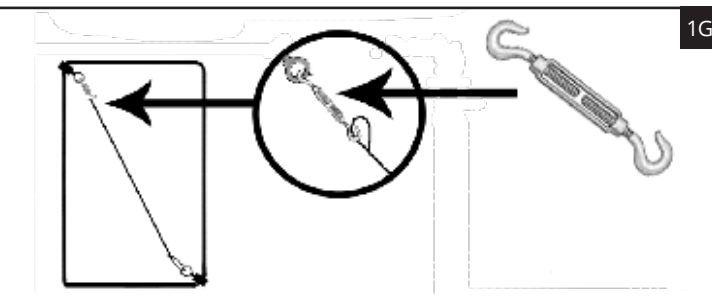
1D. Put a thin layer of epoxy on the inside edge of the unswaged (female) gate pieces.



1E. Slide pieces together by inserting swaged (male) ends into unswaged (female) ends. Let dry for 15 minutes.

1F. Install gate tensioning hardware as shown.

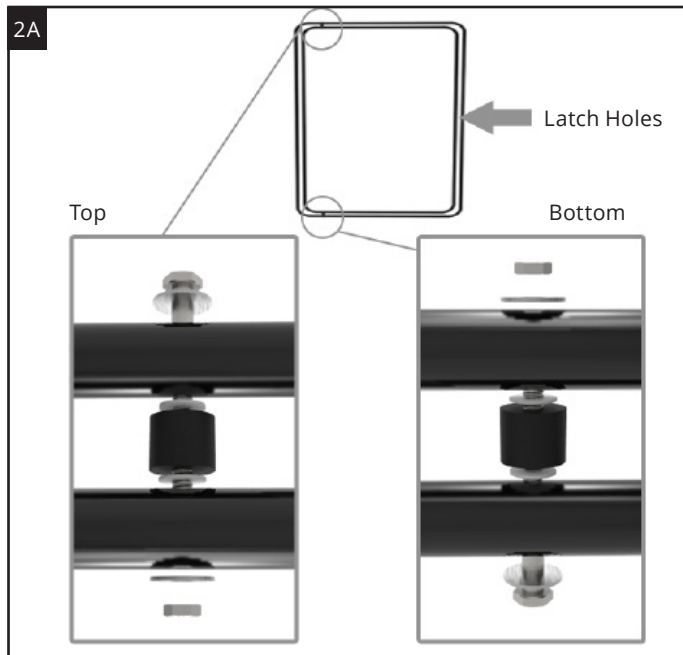
Please Note: 1/4" holes are intended for hinge hardware.



1G. Tighten cable by turning turnbuckle body.



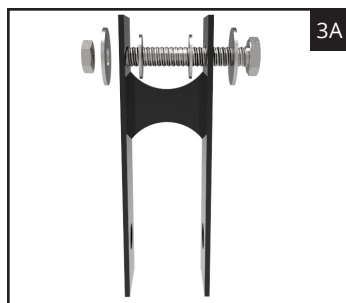
2 INSTALL HINGES



2A. Install the hinge hardware as shown for the top and bottom of the gate. Please note: The two black spacers go between the Gate (inner) and Frame (outer).

DO NOT OVERTIGHTEN

3 INSTALL LATCH



3A



3B

3A. See hardware layout for gate latch.

3B. Note the orientation of the latch. The cross bar at the bottom is to hold the latch when the gate is closed.



3C



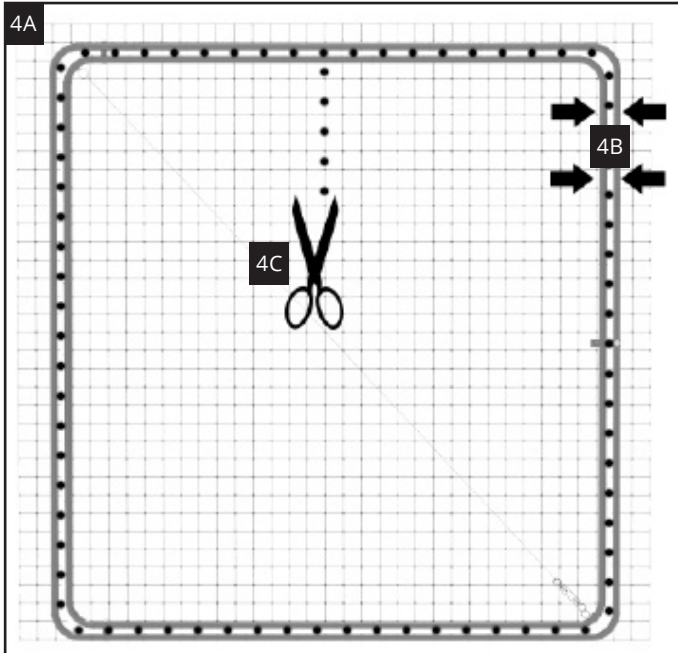
3D

3C. When the gate is open, the latch folds upwards flush with the gate frame.

3D. Once installed, you can use a lock by running it through the extra holes (pictured **3D** on the left side of the image) on the latch if you wish to have added security.



4 INSTALL GATE IN FENCE LINE



- 4A.** Set gate against the completed fence anywhere in a span. Set bottom of outer gate frame on top of welded wire mesh along the bottom of the fence and set vertically against the poly mesh fencing material.
- 4B.** Using the provided zip ties, attach the outer frame and inner frame to the fencing material as shown with arrows. Repeat around the entire span of the frames.
- 4C.** Once the inner and outer frame are secured to the fence, use snips to cut the fence inbetween the two frames to allow the gate to open and close freely. Once open, you can trim any excess fencing tabs that stick out beyond the frame.