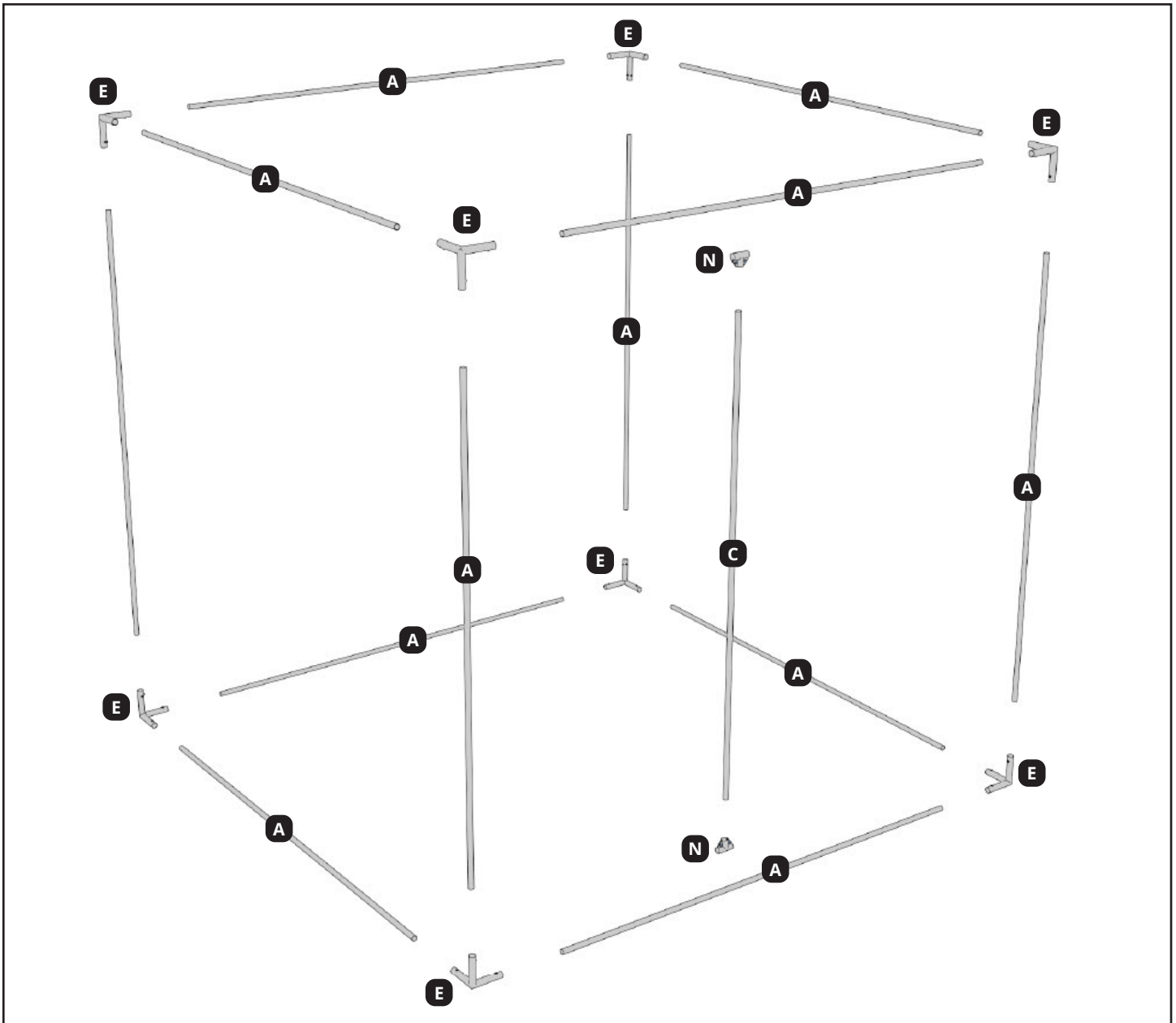


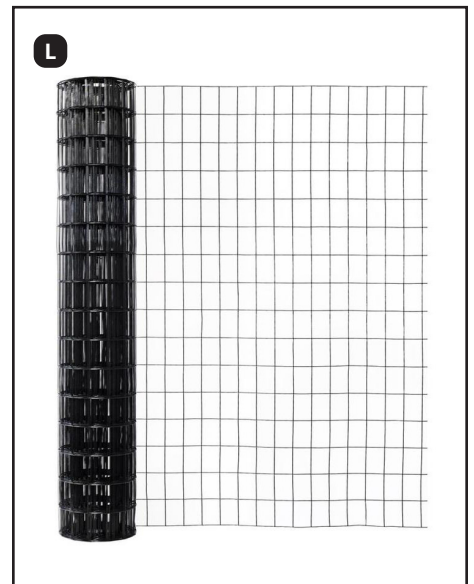
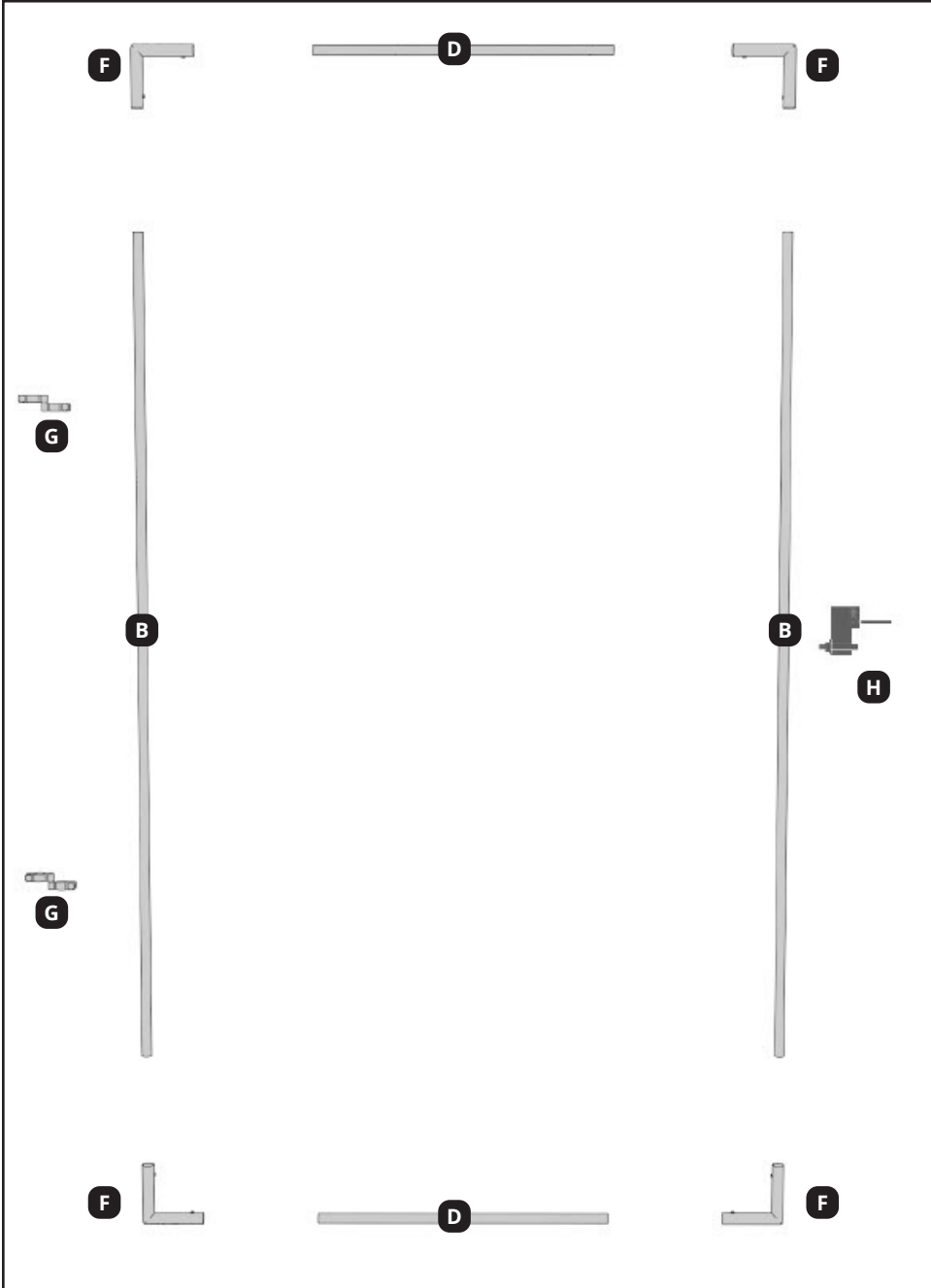
INCLUDED PARTS:

- | | | |
|------------------------------------|---|--|
| A (12) 1-3/8" x 86" post | G (2) Male Hinge | M (3) Bag (100) Standard Zip Ties |
| B (2) 1-3/8" x 81" post | G (2) Female Hinge | M (2) Bag (100) Heavy-Duty Zip Ties |
| C (1) 1-3/8" x 84.5" post | H (1) Kennel Latch | N (2) 1-3/8" "T" Clamp Set |
| D (2) 1-3/8" x 36" post | J (64) Stainless Steel Set Screws | P (1) Zip Tie Puller/Cutter Tool |
| E (8) 3-Way Connector | K (1) Hex Wrench for Set Screws | Q (1) Multi Purpose Snip Tool |
| F (4) Gate Corner Connector | L (2) 4' x 50' Roll Black Vinyl Coated Welded Wire | |

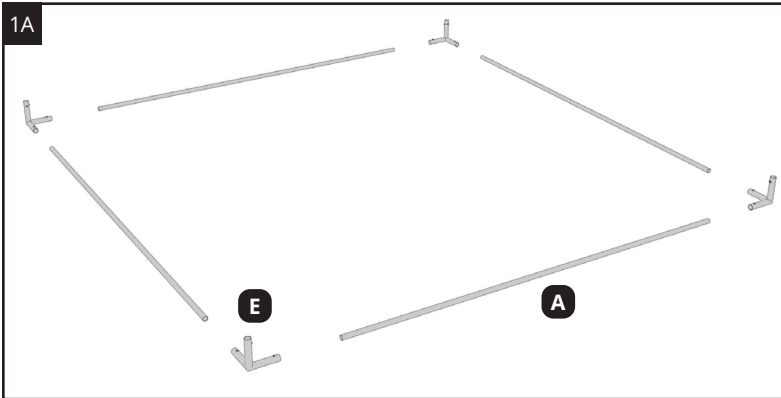
PLAYHOUSE ENCLOSURE PARTS



PLAYHOUSE ENCLOSURE PARTS (CONTINUED)



1 ASSEMBLY OF THE BOTTOM FRAME



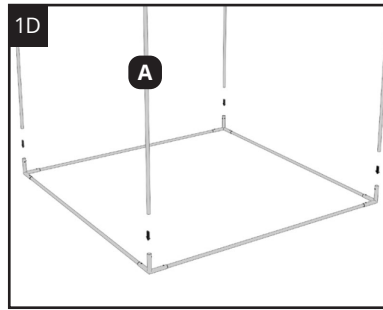
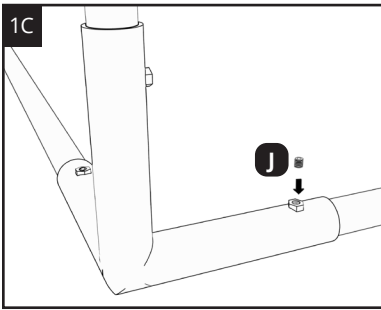
1A. Lay out (4) 3-Way Connectors (**E**) in a square with one leg facing upward and with (4) 86" posts (**A**) between them where you want the Purrfect Playhouse to be located.

1B. Slide 86" posts into the 3-way Connectors. The posts should slide approximately 5.25" into the connectors. If it does not seem to slide in far enough, turn the post and push a bit harder to ensure the post is fully inserted. Repeat until all 4 posts are inside the bottom legs of the connectors.

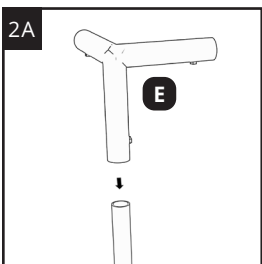
1C. Thread set screws (**J**) into 3-Way Connectors (2 per leg on the fitting) where the posts are inserted. Tighten with the hex wrench (**K**).

1D. Slide an 86" post (**A**) into each open vertical leg of the 3-Way Connectors in the bottom frame.

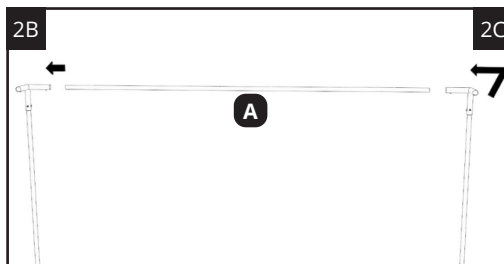
1E. Thread set screws into the 3-Way Connectors' vertical legs and tighten with the hex wrench.



2 ASSEMBLY OF UPPER FRAME (A STEP STOOL OR LADDER IS RECOMMENDED)

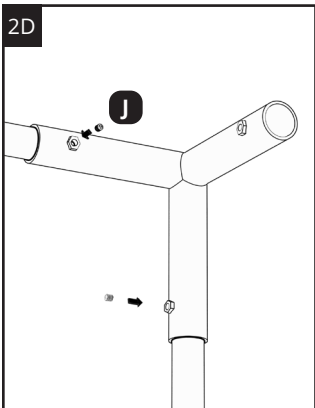


2A. Slide 3-Way Connectors (**E**) onto the tops of the vertical posts added in **Step 1D**.

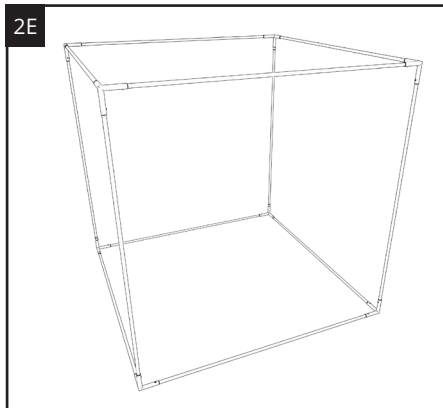


2B. Slide an 86" post (**A**) into one end of the horizontal 3-Way Connector.

2C. Move to the opposite side of the 86" post and slightly pull back the vertical 86" post. Then slide the horizontal arm of the 3-Way Connector onto the horizontal 86" post.



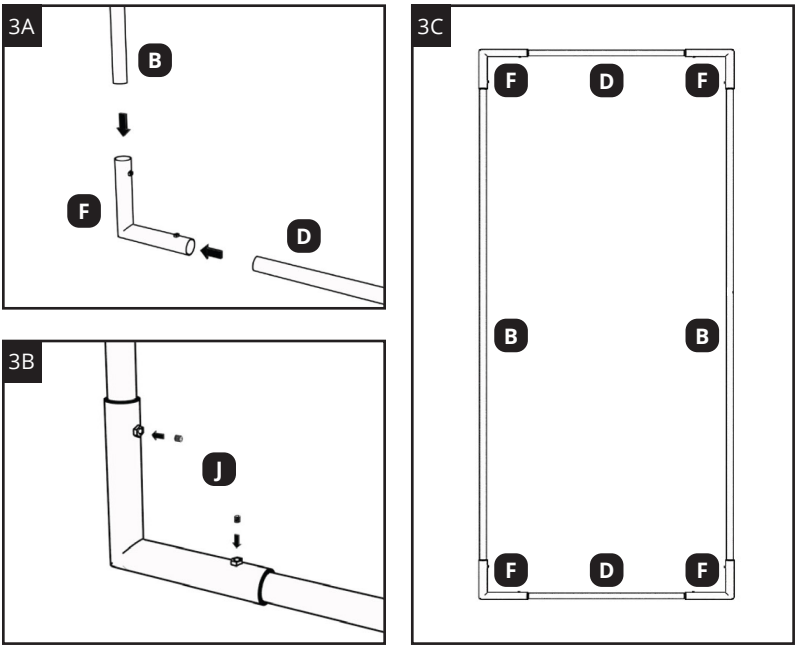
2D. Use set screws (**J**) to secure the 3-Way Connector to the horizontal post inserted in **Step 2B** and the vertical post. Repeat on the opposite side of the post and 3-Way Connector from **Step 2C**.



2E. Repeat **Steps 2A through 2D** until you complete the frame assembly as pictured.

At this time you should have a cube-shaped frame and all posts should be securely connected to their respective 3-Way Connectors with set screws.

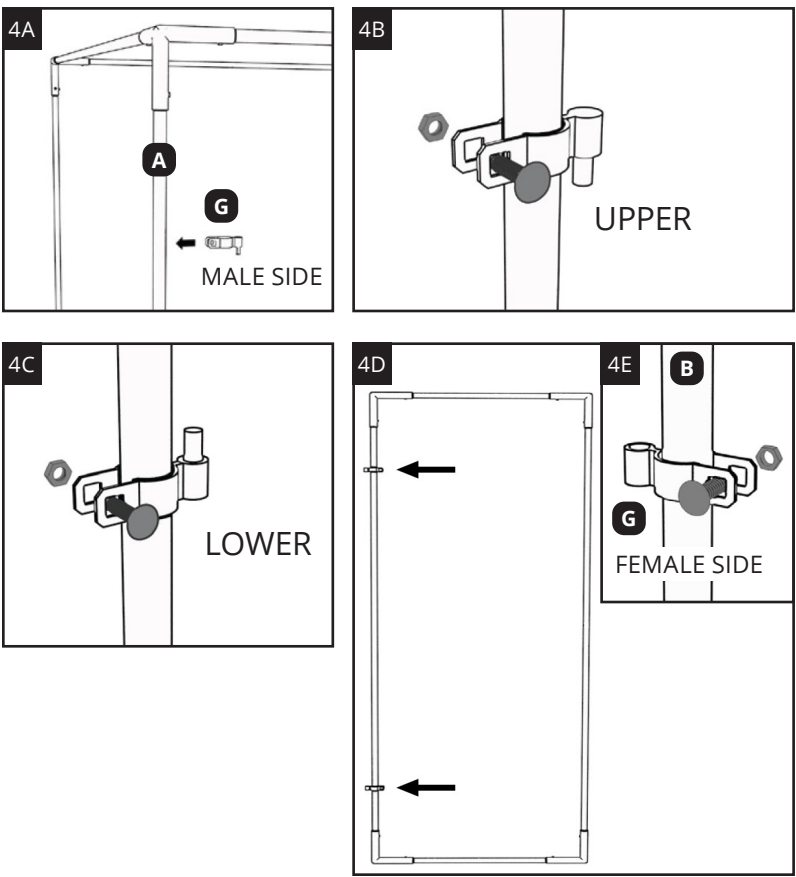
3 GATE ASSEMBLY



- 3A.** Begin by inserting an 81" post (**B**) into a Corner Connector (**F**). Then insert one of the 36" posts (**D**) into the other side of the connector.
- 3B.** Secure the posts to the Corner Connector using set screws and tighten with the hex wrench.
- 3C.** Repeat this process with Corner Connectors and Posts as laid out in the diagram to create the gate door frame.

At this time, you should have a rectangle-shaped gate frame fully assembled. Mesh covering will be added in Step 7.

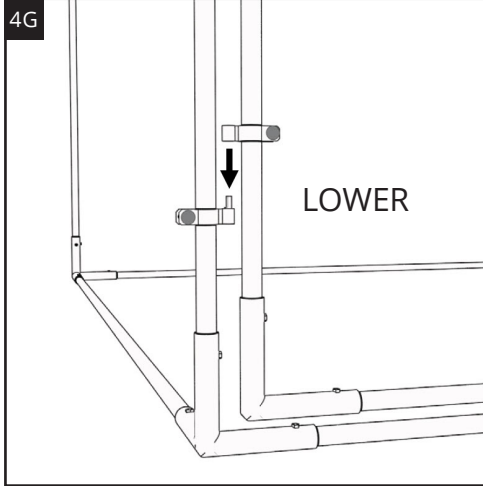
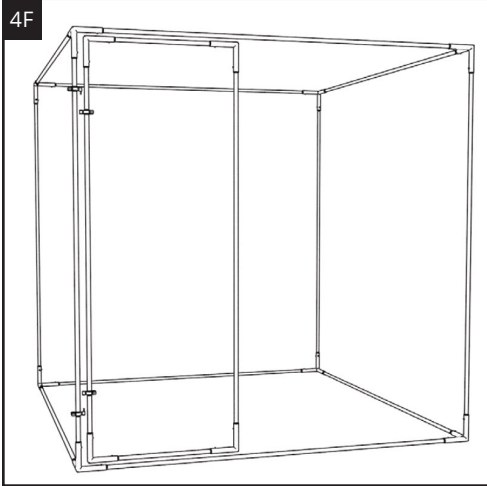
4 CONNECTING GATE TO FRAME (A STEP STOOL OR LADDER IS RECOMMENDED)



- 4A.** Measure down approximately 12-14 inches from the top of any vertical post where you would like to place the gate. This will become your hinge post (gate will attach here and swing off this post). Remove the bolt and nut from the male side of the hinge (**G**). Then, slide the male hinge over your chosen post at the 12-14 inch mark with the "peg" pointing down.
- 4B.** Once the top male hinge is in place around the post, you will insert the bolt you removed in the previous step back through the openings and secure it with the nut.
- 4C.** Repeat **Steps 4A and 4B** for the lower male hinge measuring this time from the bottom for placement. The "peg" of this male hinge should face up instead of down.
- 4D.** Remove the bolt and nut from the female side of the hinge (**G**). Slide the female hinge over the vertical post (**B**) of the gate frame.
- 4E.** Insert the bolt through the openings and screw the nut onto the opposite side. Leave the nut loose so that you can slide the female hinge up and down the vertical post easily.

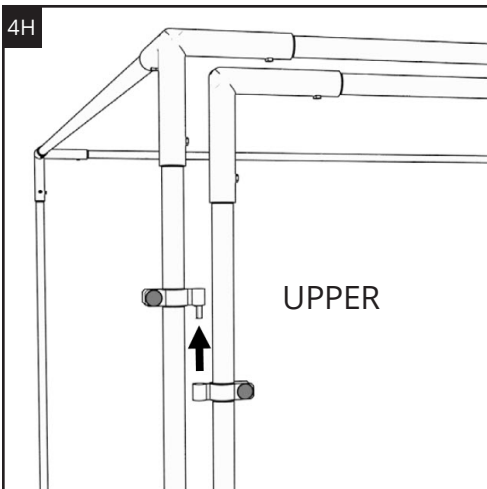
Repeat for the second female hinge.

4 CONNECTING GATE TO FRAME (CONTINUED)



4F. Position the gate door inside the frame as shown. Slide the female hinges on the vertical gate post (**B**) so they are situated between the male hinges secured on hinge post (**A**).

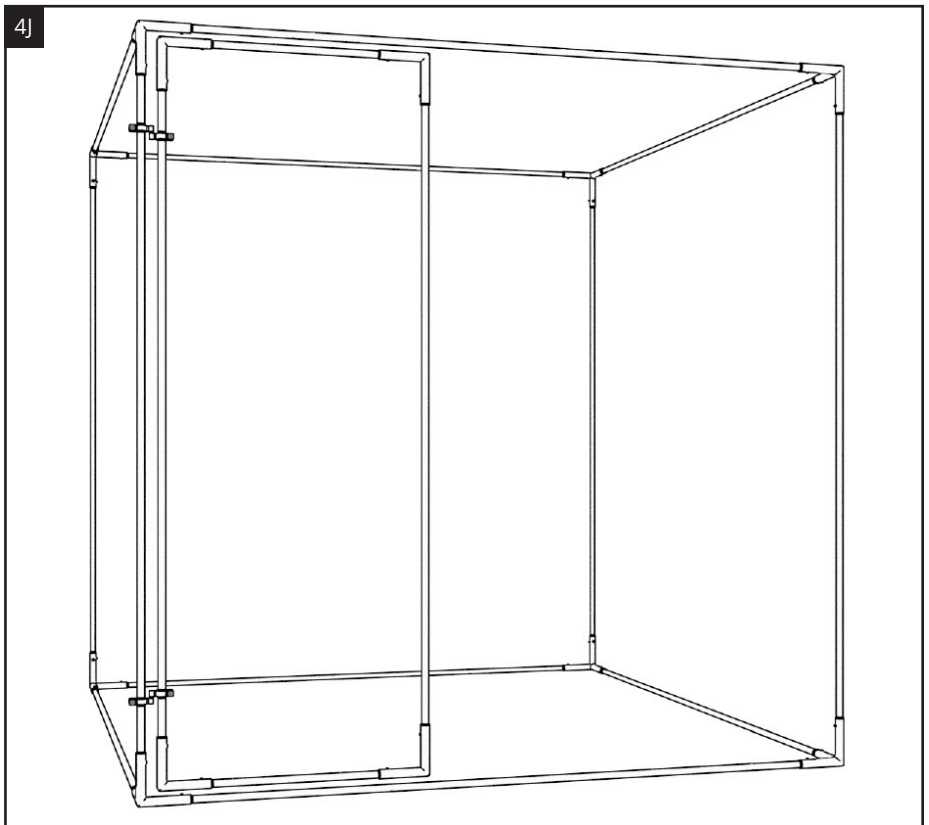
4G. Push the lower female hinge down and slide it over the male "peg". Note that there should be a gap of approximately 1" on the top and bottom between the gate door and Purrfect Playhouse frame. Tighten the nut on the lower female hinge to hold the gate in place.



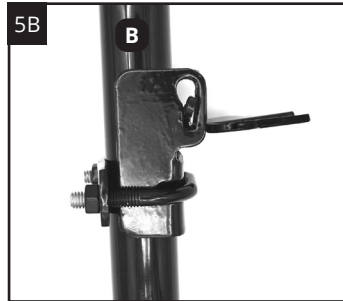
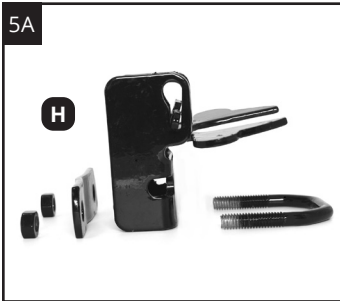
4H. Push the upper female hinge up and slide it over the male "peg". Tighten the nut on the upper female hinge to secure the gate.

4I. Double check that the gap above and below the door are equal and no larger than 2". Adjust the hinges as necessary to center the gate door. Once in place, fully tighten all nuts on both male and female hinges.

4J. At this point you should have a frame with gate attached as shown in the diagram.



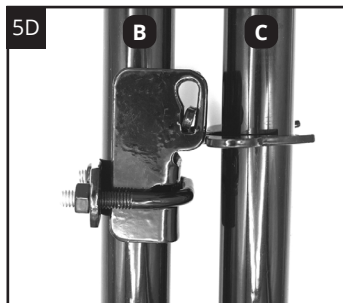
5 INSTALL GATE LATCH



5A. See hardware layout for gate latch in diagram. Use the U-bolt included with the latch (**H**) to secure the latch to the latch side post (**B**) of the gate frame at desired height. The latch should be oriented to flip up and over the latch side post (**B**) in the open position. When the gate is open, the latch folds upwards flush with the gate door.

In the closed position, the latch should flip down over the gate latch post (**C**) to secure the gate.

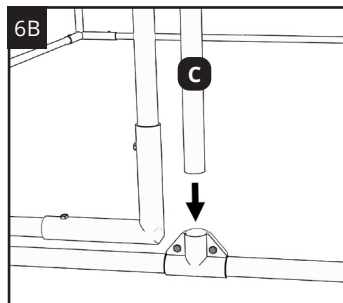
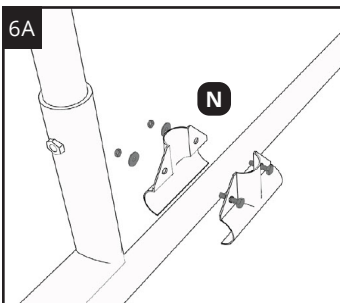
5B. Note the orientation of the latch (84.5" post (**C**) not shown) in the closed position.



5C. The two flange drop latch moves up and back over gate frame post (**B**) to open the gate.

5D. And it moves down over post (**C**) to hold the gate closed.

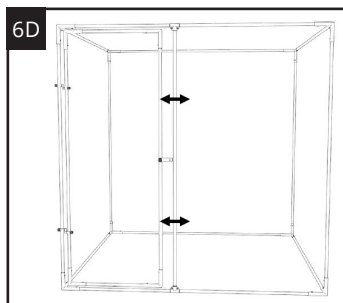
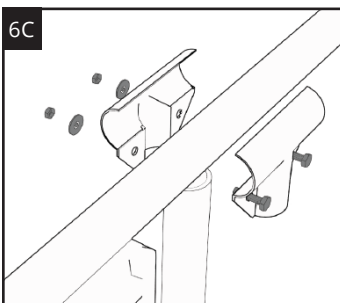
6 INSTALL LATCH POST



6A. Remove the bolt and nut from the "T" Clamp (**N**). Take each side of the clamp and put them over the bottom horizontal post (**A**) next to the gate as shown. Once in place, slide the bolt through the front opening and hold the clamp loosely in place by tightening the nut against the washer on the back side.

Note: The "T" Clamp that you recieved may look slightly different and may have just one bolt and nut.

6B. Insert the last remaining post - this should be the 84.5" post (**C**) - into the top of the loosely fitted "T" Clamp. Once the post is inserted fully, tighten the nut on the bolt to hold the post vertically.

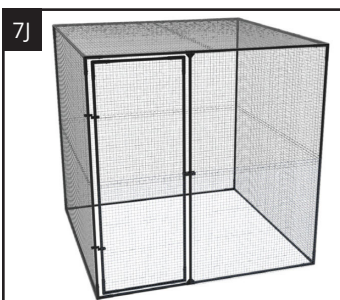
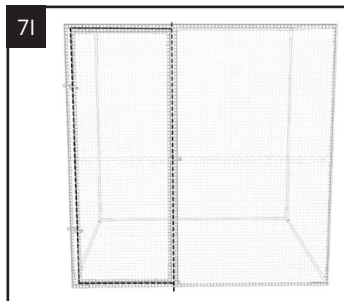
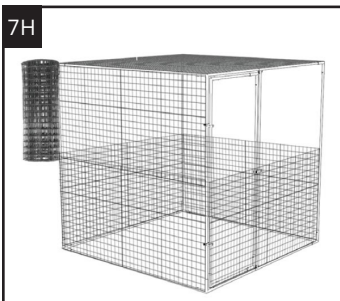
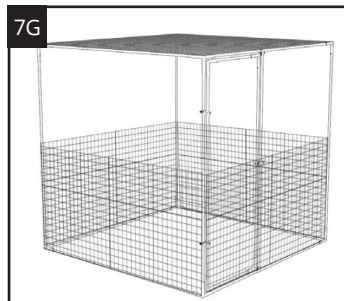
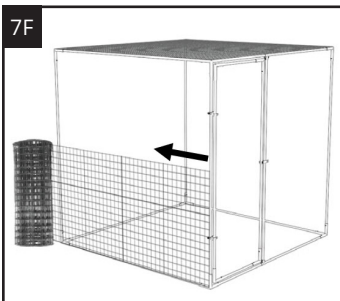
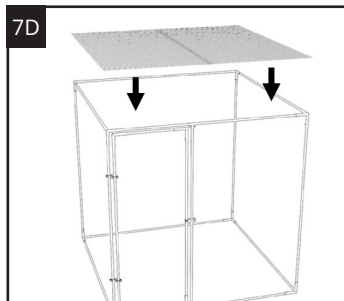
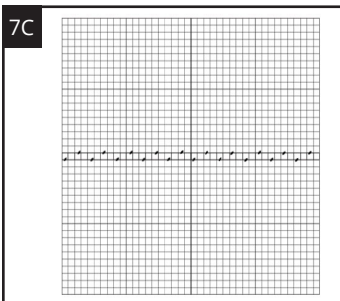
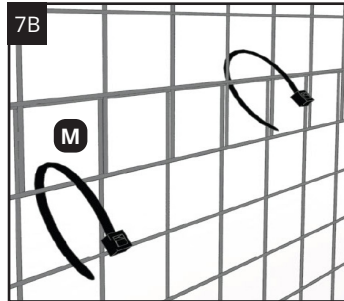
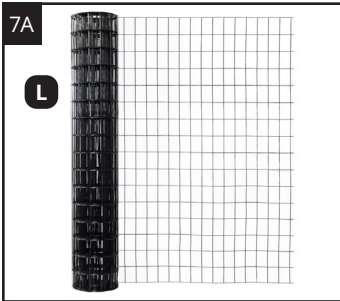


6C. Remove the bolt and nut from the second "T" Clamp. Take each side of the clamp and put them over the top horizontal post (**A**) next to the gate as shown. Position to hold the vertical post from **Step 6B** in place. Slide the bolt through the front and hold the clamp loosely in place by tightening the nut against the washer on the back side.

6D. If needed, adjust the placement of the vertical post left or right so that the kennel latch secures over the post (as seen in **diagram 5D**). Once placed properly, fully tighten the nuts on the "T" Clamps.

At this point you should have the entire frame, gate, hinge, and latch fully assembled.

7 COVER FRAME IN WELDED WIRE (A STEP STOOL OR LADDER IS RECOMMENDED)



7A. Measure and use included Multi-Purpose Snips (**Q**) to cut (2) sections of 4' tall welded wire mesh (**L**) to 86" in length. This will become the roof of the Purrfect Playhouse.

7B. On a flat surface at least 8 ft x 8 ft square, lay the two sections of mesh side-by-side. Make them overlap by at least one square of mesh along the long edge to create a square roof panel. Secure the overlap with Standard Zip Ties (**M**) at every 3rd square (every 3").

7C. Once the panel is complete it will look like the diagram.

7D. Place this panel on top of the assembled frame and secure with Heavy-Duty Zip Ties (**M**) by looping a tie around the upper frame and the wire mesh and tightening with included Zip Tie Puller/Cutter Tool (**P**). Use (3) HD Zip Ties on each side so the mesh is in place and not sagging. Additional Zip Ties will be added in **Step 7H**. This step is easiest with a second person. But if working alone, use a tie close to each end of one of the sides first, then secure the other three sides with a tie in the middle. Once the top panel is up, adjust its alignment as necessary and add ties near each end on sides with just one center tie in place.

7E. Secure an edge of wire mesh with HD Zip Ties at ground level to the vertical gate hinge post.

7F. Unroll the fence around the entire bottom half of the Purrfect Playhouse frame and securing at each corner with a few HD Zip Ties. Secure the mesh to both the vertical 84.5" latch post (**C**) and the lower half of the gate frame. Cut the mesh at the hinge side of the gate frame post (**B**).

7G. Secure the bottom edge of the mesh to the bottom frame of the Purrfect Playhouse. Place an HD Zip Tie at every 6th square (every 6") all the way around until you reach the gate. The mesh does not need to be secured to the bottom-most frame post (**A**) underneath the gate, but it should be secured to the bottom gate door post (**D**) and halfway up the vertical gate door posts (**B**).

7H. Repeat **Steps 7E through 7G** for the top half of the Purrfect Playhouse (securing to the top frame rather than the bottom frame for **Step 7G**). The mesh should overlap at least (2) squares in the middle. Secure the overlapping mesh with Standard Zip Ties at every 3rd square like in **Step 7B**.

7I. After the mesh is completely secured to the gate frame, cut the mesh around the gate door frame. Cut as needed around the latch to ensure it functions correctly. Take care not to cut away too much mesh and create an opening where a cat could escape through. Then, trim the mesh in the gap between the gate frame and Purrfect Playhouse frame (there should be no mesh between the gate door frame and outer frame).

7J. Ensure that every post that touches wire is zip tied on every 3rd square with HD Zip Ties. Once all wire mesh is well-secured, the Purrfect Playhouse is complete and ready to use!