

# LED ROLLING DISPLAY

LED Rolling Display is a new generation of innovative LED Display products, in addition to the traditional display all the features and technical features, its excellent structure design makes it roll up like paper, and it has the appearance of ultra-thin and ultra-light weight, is the ideal alternative to traditional display, suitable for all traditional display applications.

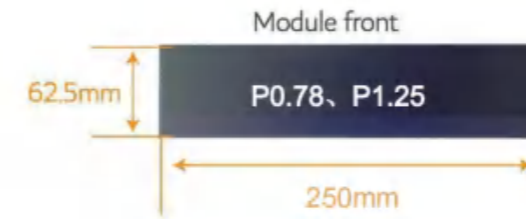


## Features

- 1 Fine pixel pitch: P0.7, P1.25, P1.5625, P1.953, P2.604, P3.91**  
Small pitch pixel ensures the HD display, higher contrast and more realistic colors
- 2 GOB Technology (IK10 & IP65)**  
Surface safety with IK10 anti-collision grade and IP65 Waterproof grade., also with Non-slip mat and anti-reflection. And high visual performance (with high contrast LED for uniform visual performance in black) are considered.
- 3 Built-in Receiving card**
- 4 Light weight and super thin**  
15KGS/sqm weight and 10mm thickness make easy to install and carry, which can simplify the design of supporting structure to design better artistic effect.
- 5 6063 Aluminum module case**  
Aluminum case adopts stretching process, which makes sure the accurate size and have the best heat dissipation from the LED.
- 6 Low voltage input**  
Low voltage 24V/DC input for every unit screen ensures safer use.
- 7 Free installation and easy maintenance**  
Its simple structure allows for easy installation and quick maintenance.

## Module

P1.5625、P1.953、P2.604、P3.91



## LED Rolling Display diagram X=module number



**Installation**



Hanging Sliding Rail



Hanging bar/Updown right/left connection bar



Right/left Splicing Bar



Fixed Bar



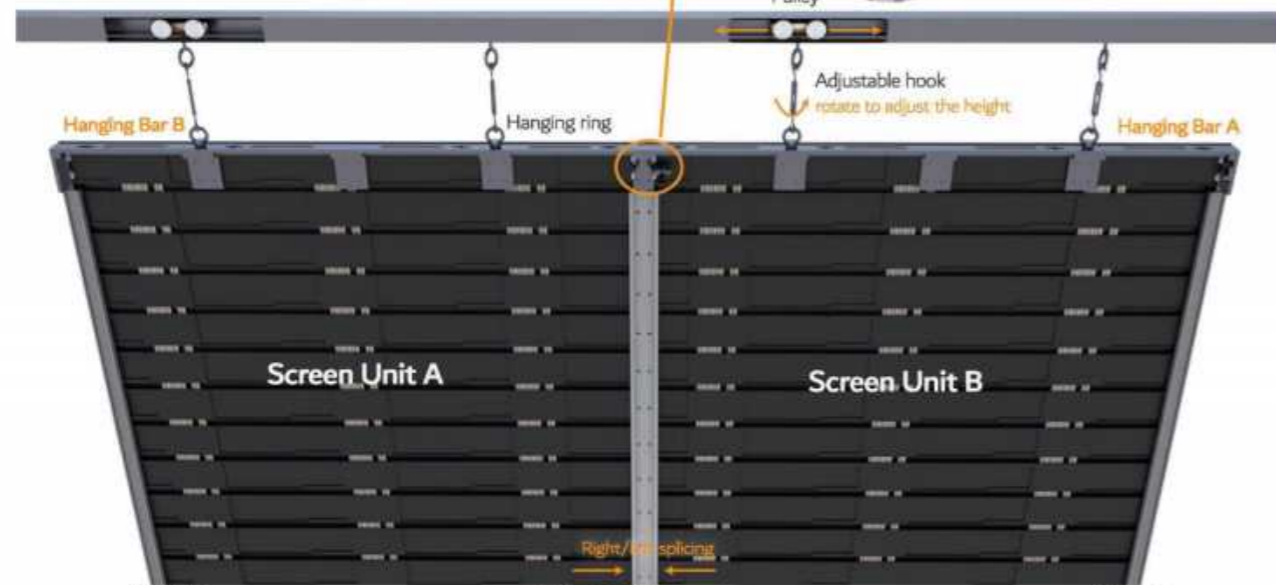
Adjustable Hook



Hanging Ring

**Hanging & Left/right Splicing**

**Sliding rail**



Fixed Bar  
Strong Iron Bar



Splicing Bar  
Strong Iron Bar  
with positioning column



Fixed Bar  
Strong Iron Bar

**Up/down Splicing**



Quick lock



### Packing



1 roll

#### Single Packing

Flight case Size L900mmXH350mmXW350mm  
 Flight case volume 0.12CBM  
 Total Weight 23KGS

Screen Unit 1 set  
 Screen Area 1.125sqm  
 Screen Weight 17KGS



9 rolls

#### 9 sets Packing

Flight case Size L900mmXH800mmXW900mm  
 Flight case volume 0.65CBM  
 Total Weight 185KGS

Screen Unit 9 set  
 Screen Area 10.125sqm  
 Screen Weight 152KGS

### Screen Unit:



### Specification

Model	GOB-R1.25	GOB-R1.56	GOB-R1.953	GOB-R2.604	GOB-R3.91
Pixel Pitch	1.25mm	1.56mm	1.953mm	2.604mm	3.91mm
LED Configuration	SMD1010	SMD1010	SMD1010	SMD1515	SMD2121
Pixel Density	640000dot/m <sup>2</sup>	409600dot/m <sup>2</sup>	262144dot/m <sup>2</sup>	147456dot/m <sup>2</sup>	65536dot/m <sup>2</sup>
Module size	250x62.5mm	500*62.5mm			
Module Resolution	200X50 dot	320x40 dot	256X32 dot	192X24 dot	128X16 dot
Scanning Mode	50S	40S	32S	24S	16S
Screen Weight(kg/m <sup>2</sup> )	15~16kg/m <sup>2</sup>				
IP Rating (front/back)	IP63/IP21				
Brightness Intensity	600CD/m <sup>2</sup>	600CD/m <sup>2</sup>	700CD/m <sup>2</sup>	750~1000CD/m <sup>2</sup>	750~1000CD/m <sup>2</sup>
Viewing Angle	140°	140°	140°	140°	140°
Color Depth	12~16bit				
Colors	4,096~65,536				
Refresh Frequency	≥3840HZ				
Application	Indoor				
Input Voltage (V)	DC24V				
Control Mode	Nova/Colorlight				
Operation Power	AC1 10V/220V-50Hz/60Hz				
Max Power Consumption	510W/sqm				
Ave Power Consumption	170W/sqm				
Lifespan (hours)	100,000hours				
Maintenance Way	front & rear				
IC	ICN2076	ICN1065/ICN2055/ICN2153			
Control System	Built-in Novastar ASS plus/colorlight receiving card				

## Application I FAST DISPLAY

LED Fast Display is one of the popular applications of LED Rolling Display series. With the unique patent structure of LED Rolling Display and the power of hydraulic lifting system, LED Fast Display can be up and down automatically with free installation and shakedown. And all in one flight case makes it easy to move to everywhere you want to go. It is mainly used somewhere need to be temporary construction and display, like wedding scene, conference site and party, etc.



installion free



one-key operation



events like wedding



classroom



conference



mobile theater



**Model I:**

(H) 3,000mm X (W) 1,500mm

Weight: 350KGS

**Model II:**

(H) 3,000mm X (W) 2,000mm

Weight: 430KGS

All in one flight case

The size can be customized according to your demands.

### Features

Pixel Pitch option: P0.7, P1.2, P1.5, P1.9, P2.6, P3.9

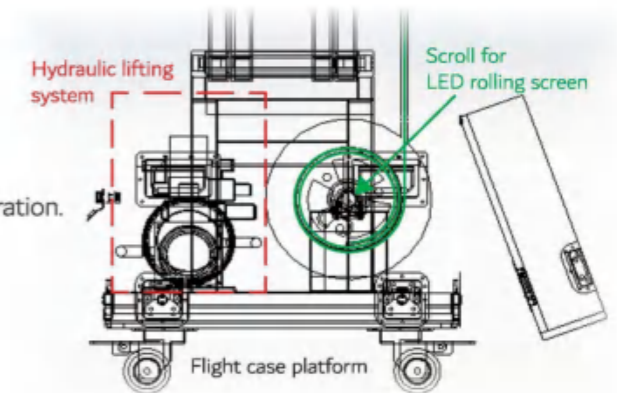
Convenient operation using remote controller or one-key operation.

All in one flight case body.

DC24V input for screen part, safety use.

Free installation & shakedown.

3-year warranty and life-long maintenance



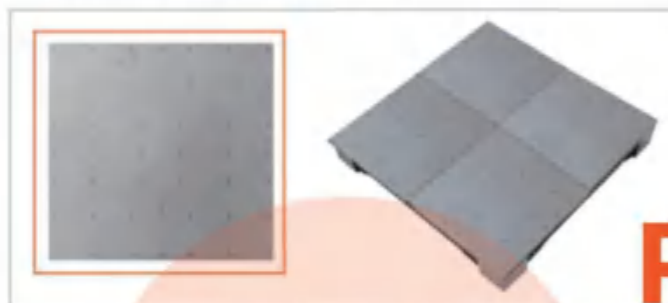
Model	FD-15	FD-20	CUSTOM
<b>Screen area:</b>	4.5m <sup>2</sup>	6m <sup>2</sup>	up tp 20m <sup>2</sup>
<b>Screen size:</b>	H: 3m X W: 1.5m	H: 3m X W: 2m	up to 6m X3m
<b>Flight case width:</b>	0.6m	0.6m	Max. 0.8m
<b>Flight case length:</b>	1.8m	2.3m	Max. 3.3m
<b>Max. screen height:</b> (from ground to top)	3.5m	3.5m	6m
<b>Weight:</b>	350KGS	430KGS	up to 800KGS
<b>Remote controller:</b>	yes	yes	yes
<b>IP rating:</b>	IP63 (front)/IP21 (rear)	IP63 (front)/IP21 (rear)	IP63 (front)/IP21 (rear)



## Application II LED ROLLING FLOOR

Thanks for the patented technology of LED Rolling Display, Rolling Floor Display is designed for replacing the conversional LED Floor Screen, which can be installed as simple as laying a carpet. Without PC mask, LED Rolling Floor Display can get the more excellent appearance and display effect in high contrast, and comparing with the conversional LED Floor screen, it is without the splicing gap problem, better flatness and integrity.

Conversional LED Floor Display



- \* Mask shading & cross light
- \* Obvious splicing gap & screw points
- \* Poor appearance & display effect
- \* Low contrast

LED Rolling Floor



- \* Without PC mask
- \* Without gap, clearly display
- \* Excellent appearance & display effect
- \* High contrast

**PK**

### Advantages

- Fine Pitch P0.7, P1.2, P1.5, P1.9, P2.6, P3.9 all available
- No splicing gap & screw points
- No need supporting structure, directly lay on the ground
- Smaller storage space, 10sqm just need 0.65CBM flight case
- Ultra light, 15KGS/sqm

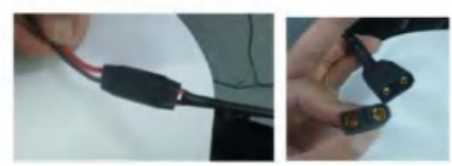
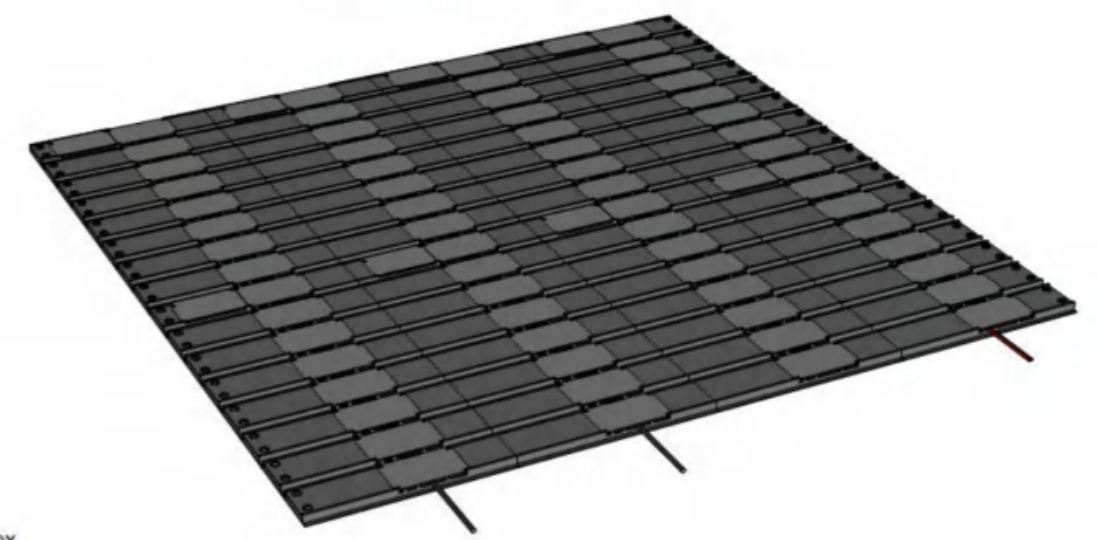
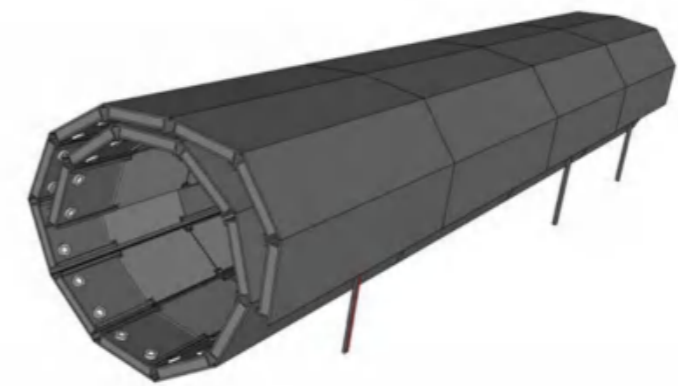
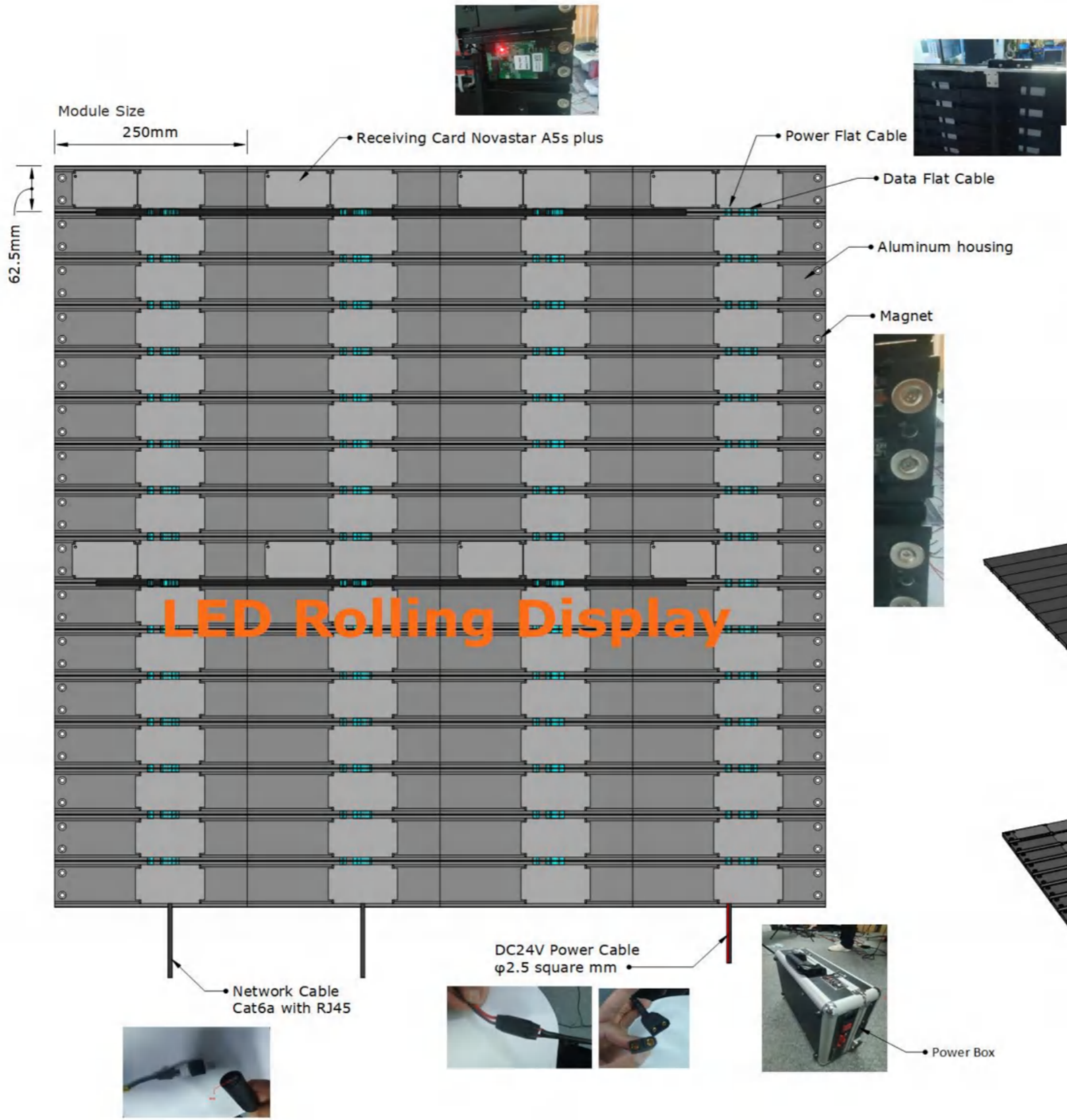
### Features

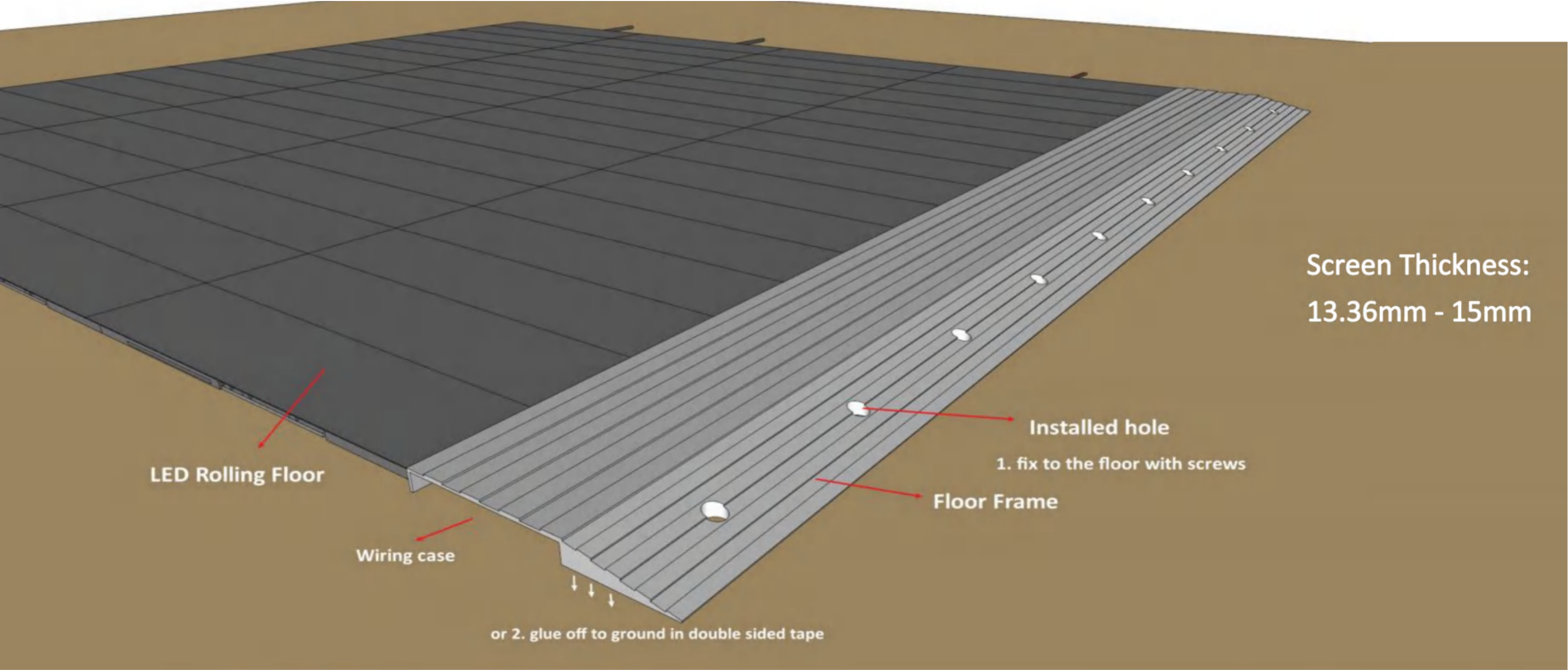
- Pixel Pitch option: P0.7, P1.2, P1.5, P1.9, P2.6, P3.9
- High precision seamless splicing
- Top protection GOB HD display
- Ultra wide viewing angle
- Low voltage 24V/DC input ensure safer use
- Exquisite structure ensures to bear more than 2.5 tons

### Specification

Model	GOB-R1.25	GOB-R1.56	GOB-R1.953	GOB-R2.604	GOB-R3.91
Pixel Pitch	1.25mm	1.56mm	1.953mm	2.604mm	3.91mm
LED Configuration	SMD1010	SMD1010	SMD1010	SMD1515	SMD2121
Pixel Density	640000dot/m <sup>2</sup>	409600dot/m <sup>2</sup>	262144dot/m <sup>2</sup>	147456dot/m <sup>2</sup>	65536dot/m <sup>2</sup>
Module size	250x62.5mm	500*62.5mm			
Module Resolution	200X50 dot	320x40 dot	256X32 dot	192X24 dot	128X16 dot
Scanning Mode	50S	40S	32S	24S	16S
Screen Weight(kg/m <sup>2</sup> )	15~16kg/m <sup>2</sup>				
IP Rating (front/back)	IP63/IP21				
Brightness Intensity	600CD/m <sup>2</sup>	600CD/m <sup>2</sup>	700CD/m <sup>2</sup>	750~1000CD/m <sup>2</sup>	750~1000CD/m <sup>2</sup>
Viewing Angle	140°	140°	140°	140°	140°
Color Depth	12~16bit				
Colors	4,096~65,536				
Refresh Frequency	≥3840HZ				
Application	Indoor				
Input Voltage (V)	DC24V				
Control Mode	Nova/Colorlight				
Operation Power	AC1 10V/220V-50Hz/60Hz				
Max Power Consumption	510W/sqm				
Ave Power Consumption	170W/sqm				
Lifespan (hours)	100,000hours				
Maintenance Way	front & rear				
IC	ICN2076	ICN1065/ICN2055/ICN2153			
Control System	Built-in Novastar ASS plus/colorlight receiving card				

# LED Rolling Display Sketch Map





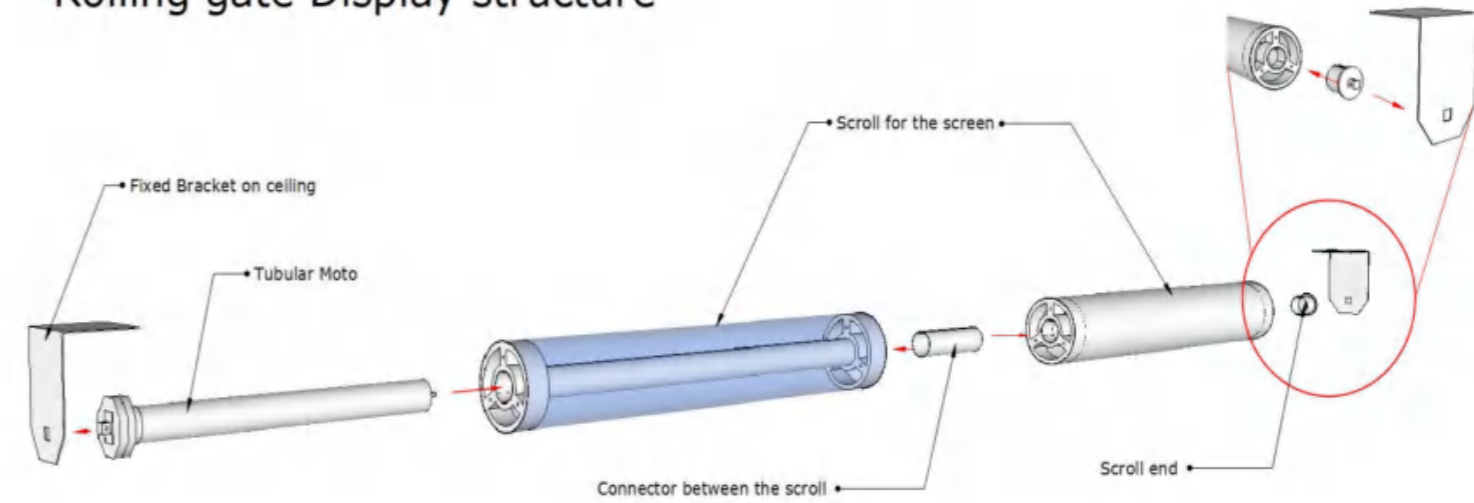


### Application III Rolling Gate Display

Rolling Gate Display is a wonderful and amazing application special for the place where the rolling gate is installed. It can extend the brand value in off-work time and rich the night view of the city, meanwhile it also can be used as the rolling door. IK10 anti-collision and IP65 waterproof class make sure it can resist the impact outside. With its principle, Rolling Gate Display also can be used to classroom, shopping mall, meeting room and showroom, etc. where frequently need to be displayed and hidden.



### Rolling gate Display structure



#### Features

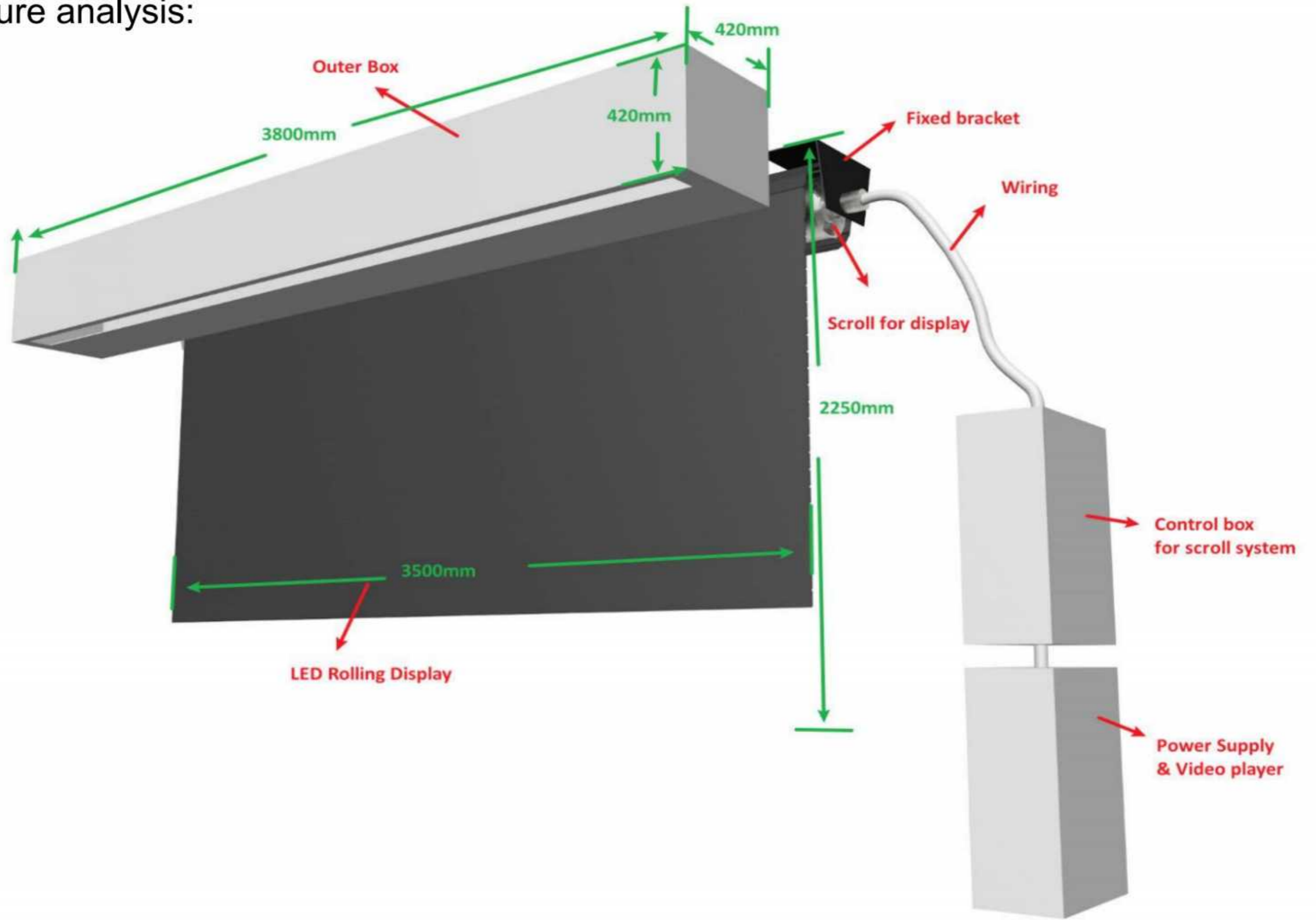
- Pixel Pitch option: P1.2, P1.5, P1.9, P2.6, P3.9
- One-key lifting system
- GOB technology, IK10 and IP63 (front) proof
- DC24V input for screen part, safety use
- Universal size can be customized



Model	RG-15	CUSTOM
Screen area:	5m <sup>2</sup>	up tp 25m <sup>2</sup>
Screen size	H: 2m X W: 2.5m	up to 5m X5m
Brightssness	600~800nits	600~800 nits
Servo Motor Wattage	2400W	Max. 5000W
Rated torsion	140N.W	300N.W
Weight:	120KGS	up to 500KGS
Remote controller:	yes	yes
IP rating:	IP63 (front)/IP21 (rear)	IP63 (front)/IP21 (rear)



# Case-structure analysis:





## Application IV ROLLING POSTER DISPLAY

### Features

#### Ultra-light & Ultra-slim

Rolling Poster Display is designed in frameless. When replaced side by side, it can be seamless splicing, make it nearly invisible. The high-end aluminum frame and slim design make the appearance of the Rolling Post Display simple and impactful. The base is equipped with wheels allowing it to be moved easily, and making relocation simple and easy.

#### Support WIFI, HDMI & USB & Network control

Rolling Poster Display has a built-in media player that is supported by PC & Android Apps. In addition, Rolling Poster Display is equipped with Wi-Fi, providing management via your Mobile device including content publishing. You can also simply just plug a USB Thumb drive to play content directly to the Poster Display.

#### Small Storage Space & Easy-carrying

Just one bag (around 80cm length and 15KGS weight) can hold when the rolling poster display need to be moved or carried.



### Multi-Screen Splicing

Multi-screen cascade brings a unique visual experience. Rolling Poster Display single-screen mode and split-screen mode. You can splice different numbers of Poster Display together, creating a large video wall display of up to 6 units sync'd together at a ratio of 16:9.

With the addition of an external video wall processor, 10~16 units can be sync'd together for up to a 4K resolution.

### Fixed and Installing

Floor Stand, wall-mounted, hanging, etc.



### Specification

Model	PD-S01 (single side)	PD-D02 (double side)
Screen Size	(H)1.5mX(W)0.75m	(H)1.5mX(W)0.75m
Screen Area	1.125m <sup>2</sup>	1.125m <sup>2</sup> X2
Height	1.6m	1.6m
Width	750mm	750mm
Thickness	30mm	40mm
Brightness	600~800nits	600~800nits
Weight:	25KGS	42KGS
Remote controller	Wifi, USB, HDMI, Network	Wifi, USB, HDMI, Network
IP rating:	IP63 (front)/IP21 (rear)	IP63 (front)/IP21 (rear)

\*\* P0.9, P1.2, P1.9, P2.6, P3.9 are available.



## Application V ROLLING TV

Benefited from the small carrying size and simple installation, you can get your private theater and stage, only with two camera brackets. Put a ROLLING TV with 2K screen in the trunk of the car and take it wherever you want to go. Which will make your party or family camping more funny and colorful.



Novastar TU20 video processor



Hanging Sliding Rail



Right/left Splicing Bar

Fixed Bar



Hanging bar/Updown right/left connection bar



Adjustable Hook



Hanging Ring

### Features

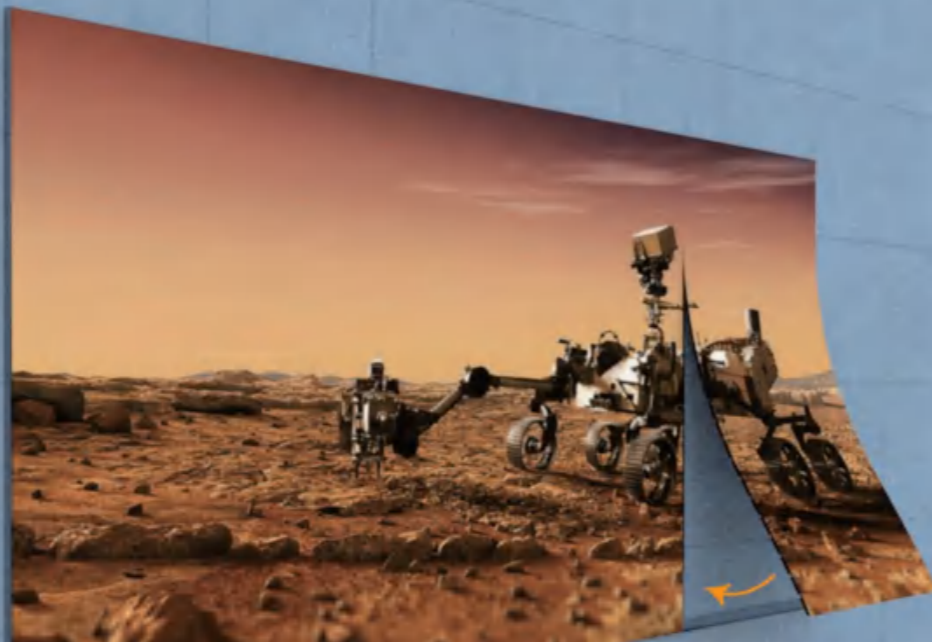
- \* Pixel Pitch: P1.25
- \* Ultra-slim (thickness: 10mm) & ultra-light weight (13KGS/sqm) design
- \* Front & Rear service
- \* Hanging/wall mounted optional
- \* Small storage space, one flight case in 0.6CBM
- \* Easy and rapid installation
- \* Support Wi-Fi, HDMI & USB & Network control by PC, Android and ISO system.

Model	RT-1.25
Screen Size	(W)1.75mX(H)1m
Screen Resolution	1,400 X 800 (1080p)
Screen Brightness	600nits
Refreshing Rate	3,840Hz
Screen Unit Size	1mX0.75m (1 roll) 1mX1m (1 roll)
Weight	35KGS
Controller System	Novastar TU20
IP rating	IP63 (front)/IP21 (rear)

### Package Include:

- P1.25 LED Rolling Display Unit (2 rolls)
- Novastar Meeting Media Player (1 pc)
- Camera Bracket (2 sets)
- Adjustable Hook (2 pcs)
- Hanging Bar with 2 hanging rings (2 sets)
- Supporting Bar with Sliding rail and Pulley
- Cat6 cable (25ft)
- Power Supply Unit: (1 set)





Ultra-slim & simple installtion design

## Application VI PICTURE VIDEO WALL

Picture Video Wall is a perfect solution to repalce the traditional Wall Video. No need to destroy the wall, no need the extra structure and no need the complex wiring connection, just a thickness 20mm metal frame can build the whole LED Rolling Display to combine a nice video wall. And the input of screen part is DC 24V, which is safety use. It is the best choice for indoor wall video application, like meeting room, museum, shopping mall, and airport, etc.

### Features

Pixel Pitch option: P0.9, P1.2, P1.5, P1.9, P2.6, P3.9

Supper slim 15~20mm installation thickness

Supper light 15KGS per sqm, easy to carry

Simple wiring connection, plug and play

Front & rear service

GOB technology, anti-collision and waterproof IP63 (front)

Centralized power management, maintenance no need to be removed the module



### Installation

1. Fixed the frame on the wall;
2. Spread the rolling display unit;
3. Put the rolling display on the frame and it will be adsorbed to the frame by magnetic table.

### Specification

Model	GOB-R1.25	GOB-R1.56	GOB-R1.953	GOB-R2.604	GOB-R3.91
Pixel Pitch	1.25mm	1.56mm	1.953mm	2.604mm	3.91mm
LED Configuration	SMD1010	SMD1010	SMD1010	SMD1515	SMD2121
Pixel Density	640000dot/m2	409600dot/m2	262144dot/m2	147456dot/m2	65536dot/m2
Module size	250x62.5mm	500*62.5mm			
Module Resolution	200X50 dot	320x40 dot	256X32 dot	192X24 dot	128X16 dot
Scanning Mode	50S	40S	32S	24S	16S
Screen Weight(kg/m <sup>2</sup> )	15~16kg/m <sup>2</sup>				
IP Rating (front/back)	IP63/IP21				
Brightness Intensity	600CD/m2	600CD/m2	700CD/m2	750~1000CD/m2	750~1000CD/m2
Viewing Angle	140°	140°	140°	140°	140°
Color Depth	12~16bit				
Colors	4,096~65,536				
Refresh Frequency	≥3840HZ				
Application	Indoor				
Input Voltage (V)	DC24V				
Control Mode	Nova/Colorlight				
Operation Power	AC1 10V/220V-50Hz/60Hz				
Max Power Consumption	510W/sqm				
Ave Power Consumption	170W/sqm				
Lifespan (hours)	100,000hours				
Maintenance Way	front & rear				
IC	ICN2076	ICN1065/ICN2055/ICN2153			
Control System	Built-in Novastar ASS plus/colorlight receiving card				



## Application VI LED SHELF DISPLAY

LED Shelf Display is a special application of LED Rolling Display module unit, which is slim LED advertising screen designed for impact and creative visual marketing. You can upload content with USB, Wifi, 4G, network. You can connect multiple Smart shelf LED Tags to create a large screen or divide the screens to play multiple video product promotions. Light enough to be moved and big enough to be seen at a distance makes our Smart shelf LED Panels a real asset to business.

who wish to have a high visual impact to attract attentions.

### PERFECT DIGITAL SHELF SOLUTION

for supermarket shelves of different length



## System Features



## Features

Super slim and light.

13mm thickness, easy to install and move.

Multiple installation modes, such as stand, wall-mounted and etc.

Plug-in display, simple operation.

Multiple linkage modes, such as single display application, cascaded application and creative application, etc.

USB/WiFi/HDMI/cable connection by PC and Android and ISO management & publish.

Calibration data saved on modules, recover factory setting in 5 seconds.

Model	LS-60	LS-90	LS-120
Pixel Pitch*	1.5	1.5	1.5
Unit size	H: 62.5mm X W: 500mm	H: 62.5mm X W: 750mm	H: 62.5mm X W: 1,000mm
Resolution	320X40 pixels	480X40 pixels	640X40 pixels
Brightness	600~1,000 nits	600~1,000 nits	600~1,000 nits
Refreshing Rate	3,840Hz	3,840Hz	3,840Hz
Weight	0.48kgs	0.72kgs	0.96kgs
Inout Voltage	24V/DC	24V/DC	24V/DC
IP rating:	IP63 (front)/IP21 (rear)	IP63 (front)/IP21 (rear)	IP63 (front)/IP21 (rear)

\*\* P0.9, P1.2, P1.9, P2.6, P3.9 are available.