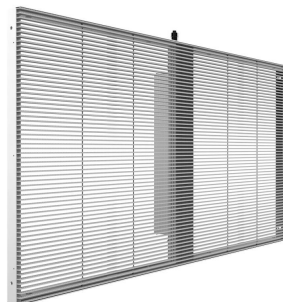
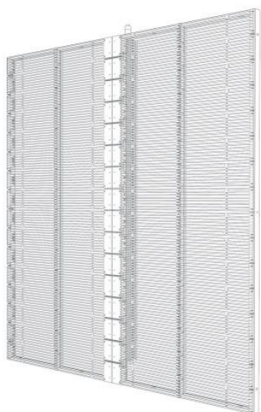


# Instruction Manual



HuaKe



### **Important reminder**

This product should be installed by a professional or installed under the guidance of a professional. Risk of injury or death when using this product: burns, electric shock.

### **Safety instructions**

Please read this manual carefully and follow the safety precautions and warnings mentioned below before installing, starting up or maintaining this product. Do not let non-professional maintenance personnel open the cabinet and disassemble the accessories inside. For safety operations, please consult the product supplier if you have any questions.

### **Prevent electric shock**

When connecting this product to the AC main wire, please ensure that the AC main wire voltage is 90-260V frequency 50 or 60HZ. Make sure the product is grounded.

Before installing this product, check that the power distribution equipment and cables are intact and are equipped to the requirements of the currently connected equipment.

Do not use this product if the power cord or plug is damaged, defective or overheated.

Do not try to open any protective cover.

If maintenance is not mentioned in this manual, please consult a professional technician.

### **Fire prevention measures**

Do not cover the screen with a strainer, mask or other substance.

If this manual is not mentioned, the product cannot be modified at will.

This manual, if not mentioned, may not be installed inside or on the surface of this product.

This product is suitable for indoor use close to the window, and should not be used outdoors or in high temperature places.

### **Prevent injuries**

Due to the high height of the product, the larger package size and heavier weight, please ensure that there are sufficient safety measures when handling.

Please make sure that the product is safely fixed during installation. The LED module of this product is the front maintenance mode. The product needs to be moved backwards during maintenance. Since the product is heavy, please take effective safety measures when moving.

### **Maximum and minimum ambient temperature:**

The maximum ambient temperature of the LED display is 40 ° C and the minimum is -20 ° C.

Leakage:

In order to prevent the risk of electric shock caused by electric leakage, please ensure the grounding wire when the product is installed.

Before use, please check that the power cord and connectors are intact.

waterproof:

This product is not waterproof and is strictly prohibited for use in places where there is water.

### **Power Systems**

Main line:

The power cord is not repairable. If it is damaged, replace it with a new one.

Signal line:

This system signal line has special security attributes.

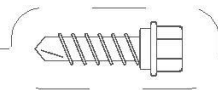
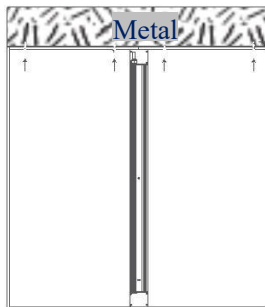
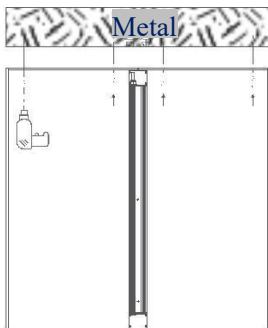
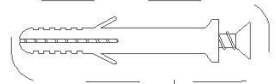
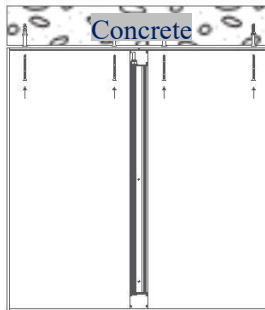
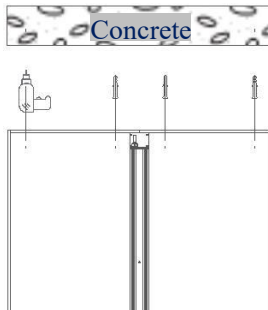
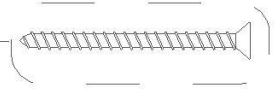
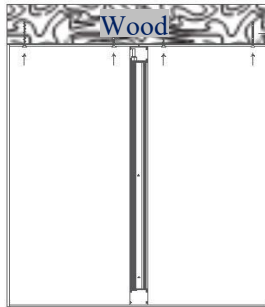
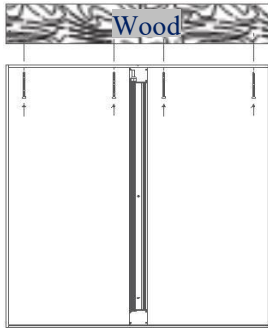
Please use the Super 6 network cable for this product.

The signal cable is not repairable. If it is damaged, please replace it with a new one. Do not attempt to repair it.

The length of the signal line should not exceed 100m (332feet) to avoid accidental contact with lightning or electrical conductors.

# Installation Method

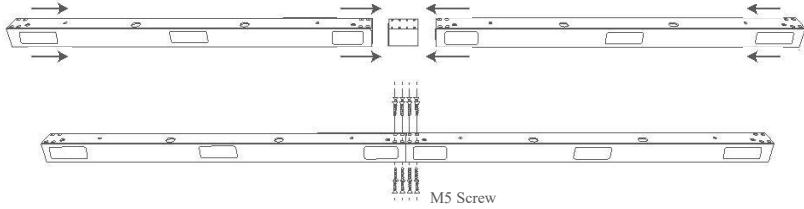
## 1. Direct Mounting



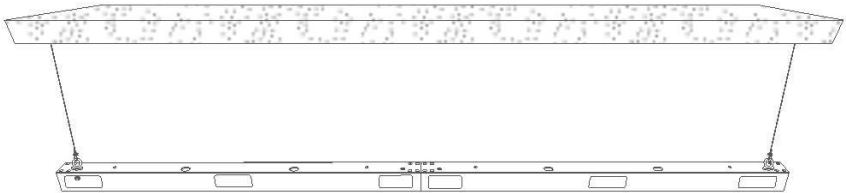
Hexagon socket  
machine tooth  
screw

## 2. Suspending Mounting with Beam Rod

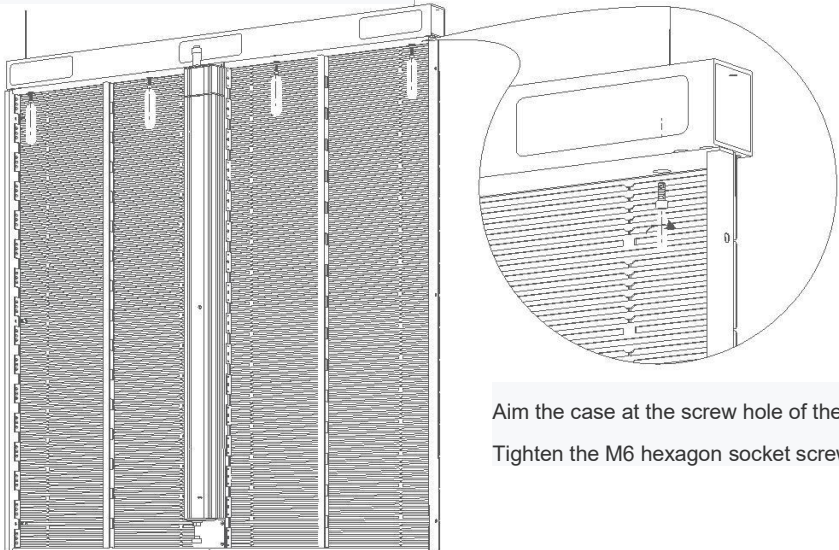
Please note that the perforated side is the back of the beam.



Install the rings and lift the beam horizontally (you can also fix the beam in other safe ways)



The connection between the beam and the box.

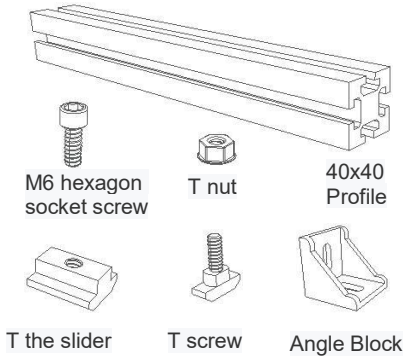


Aim the case at the screw hole of the beam

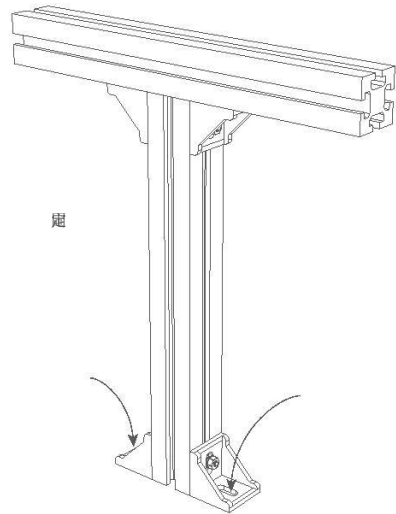
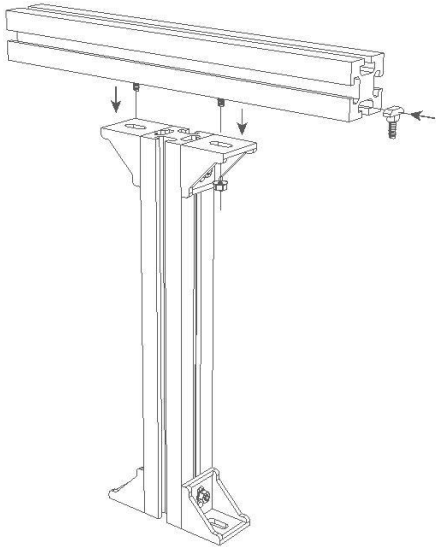
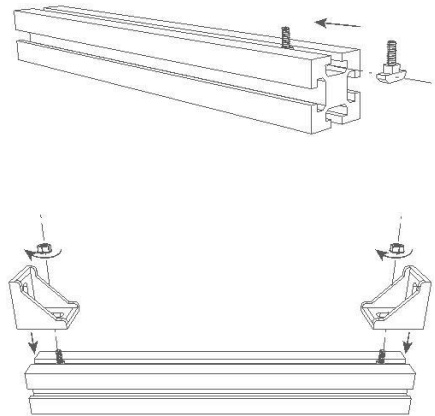
Tighten the M6 hexagon socket screw.

### 3. Installation with 40x40 aluminum profiles

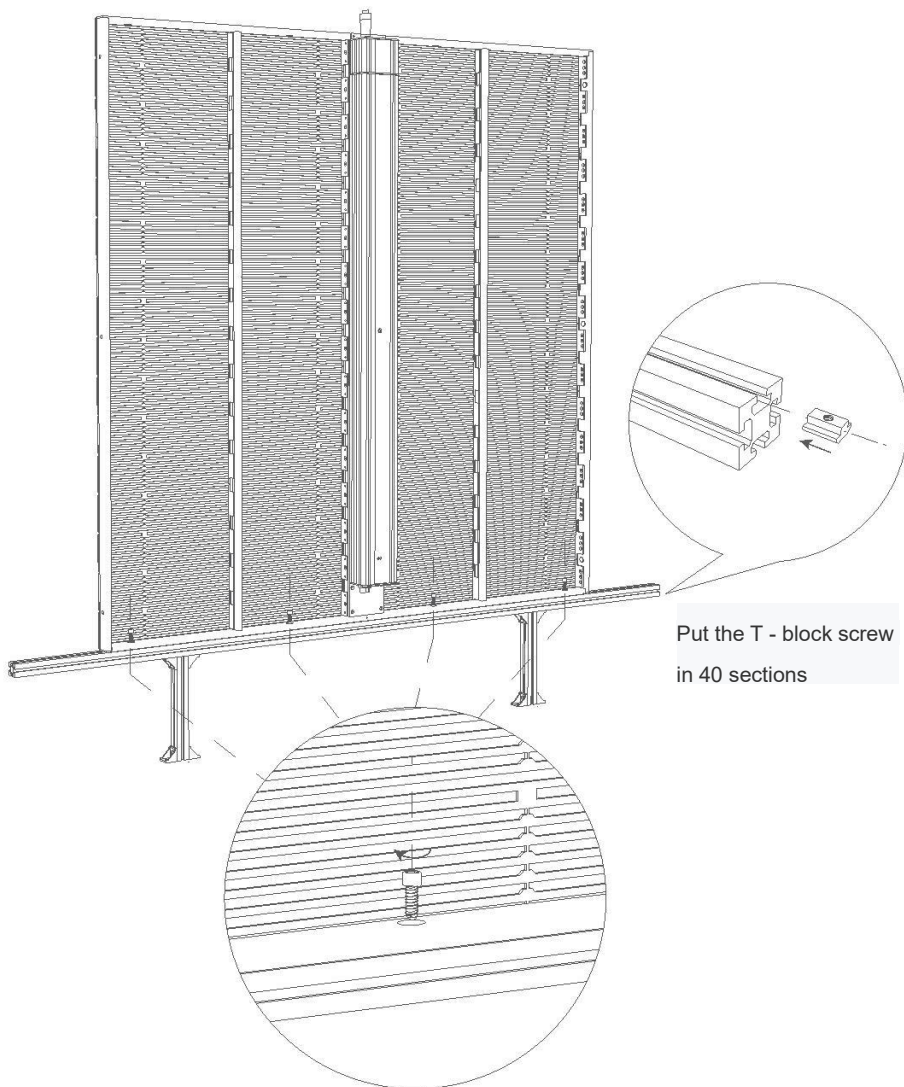
(1) Cut the profile and prepare the accessories according to the site



(2) the method of fixing the profile and angle block.



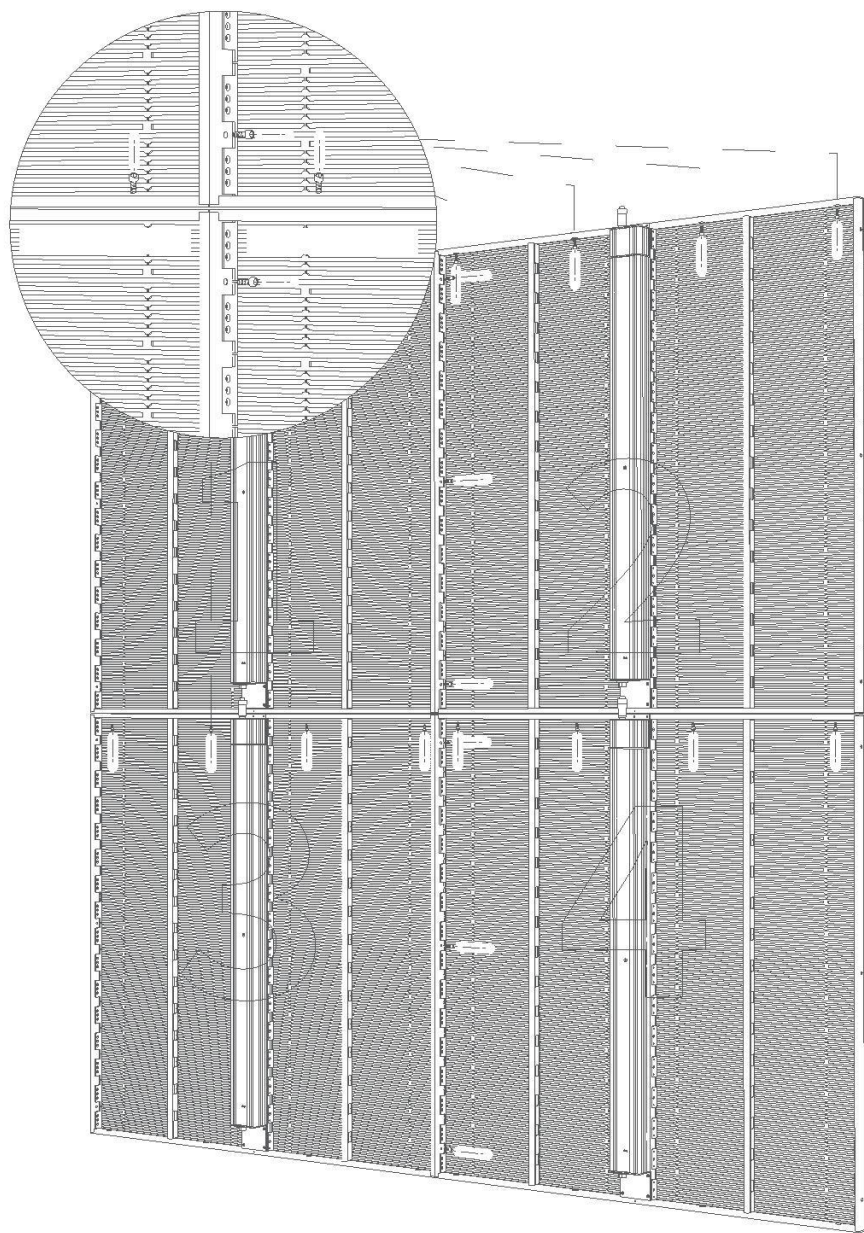
(4) Fix the profile and the transparent screen.



Put the T - block screw  
in 40 sections

Tighten the M6 hexagon socket screw

4. The fixed way between the box and the box.



# Wiring

## 1. Connection method of network cable

The input line of the factory design playback box of the general small screen is in the upper right corner of the rear view of the transparent screen body.

## 2. Connection method of power supply

Each power cord shall have a maximum of 10 1000x1000mm cases

