

# HuaKe

SHENZHEN HUAKE LIGHT ELECTRONICS CO., LTD.



**Tel.:** +86-755 8306 6884

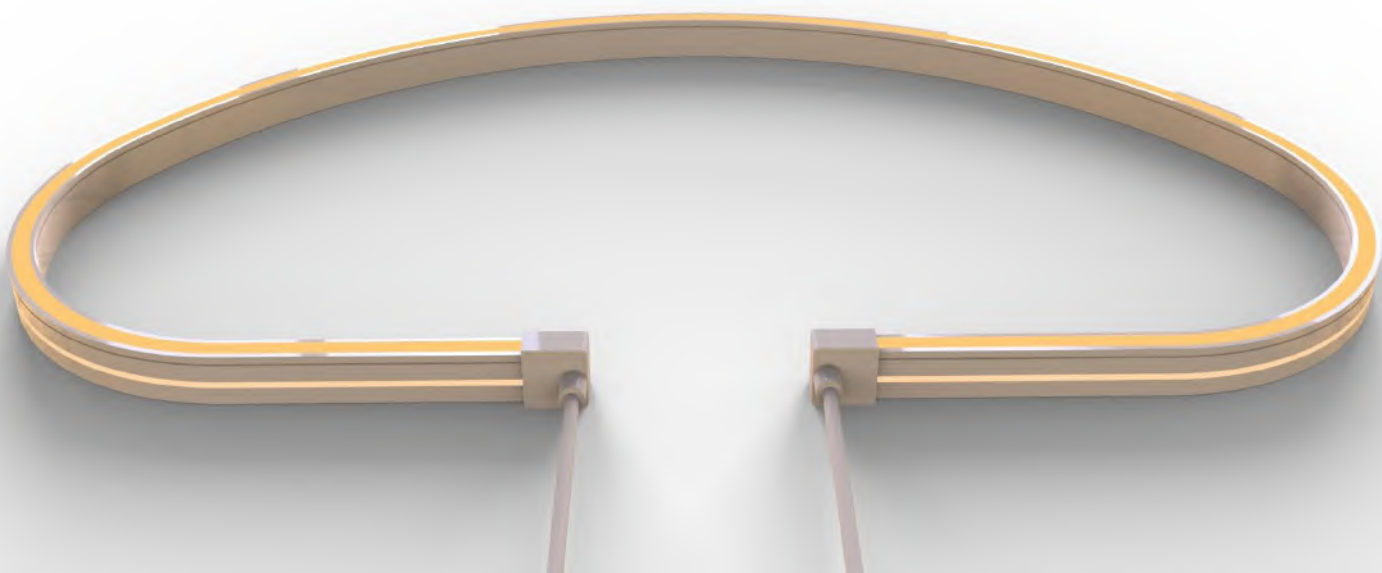
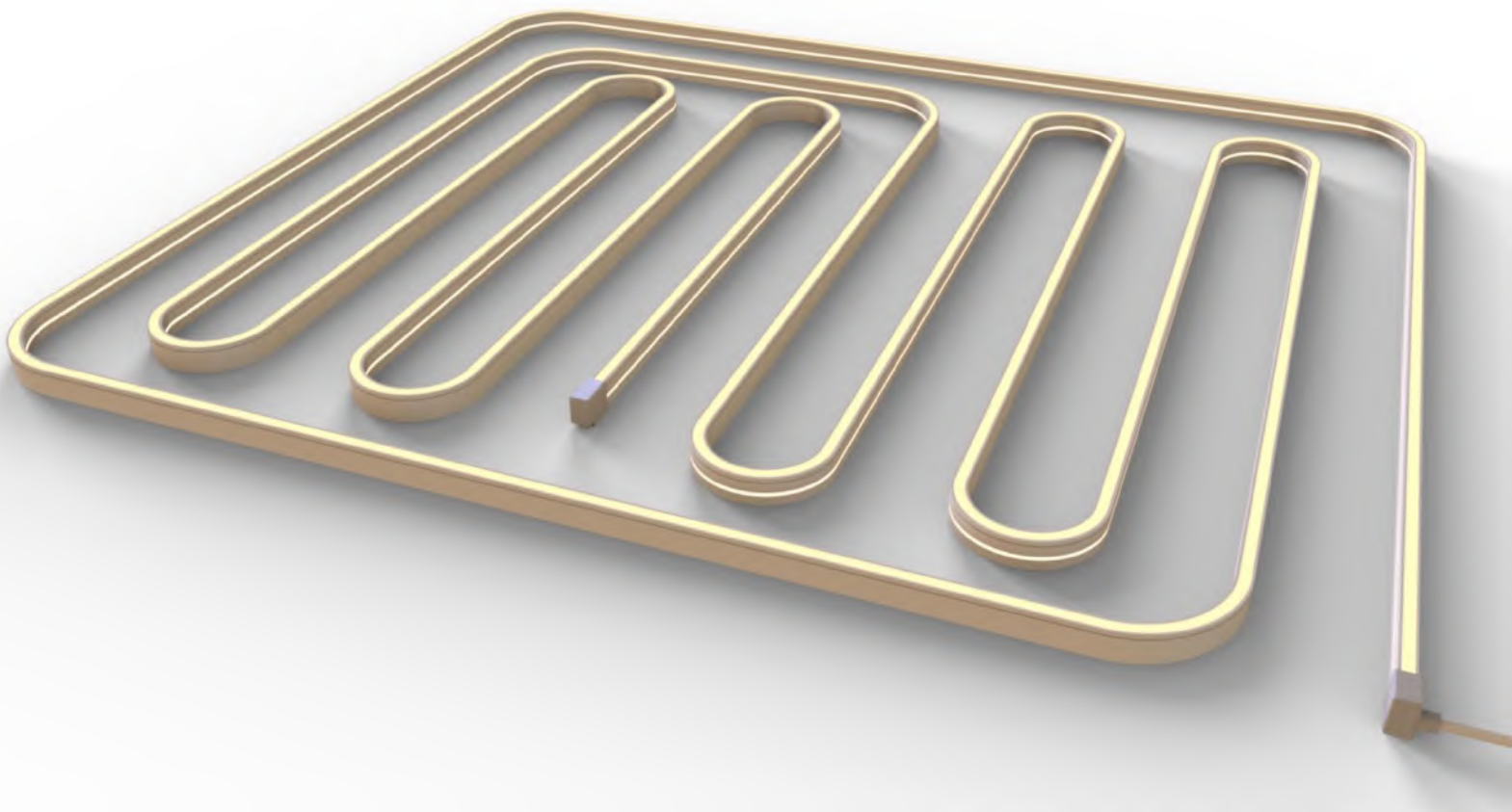
**Email:** info@ledlightsworld.com

**Website:** <http://www.ledlightsworld.com>

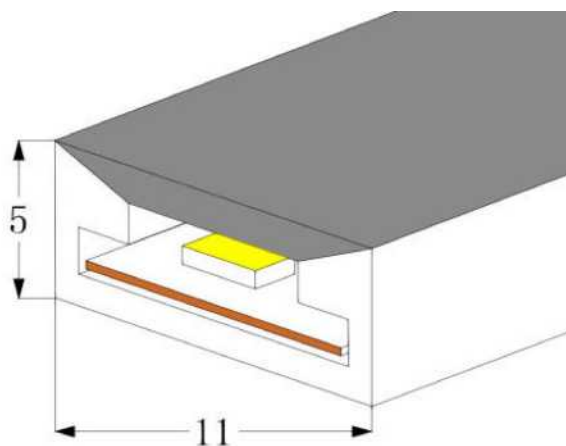
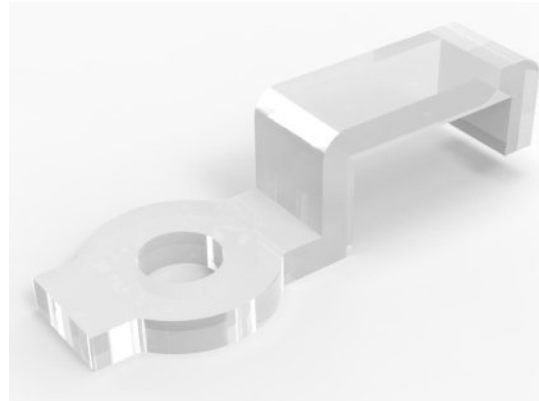
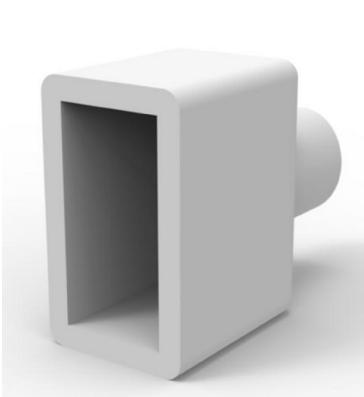
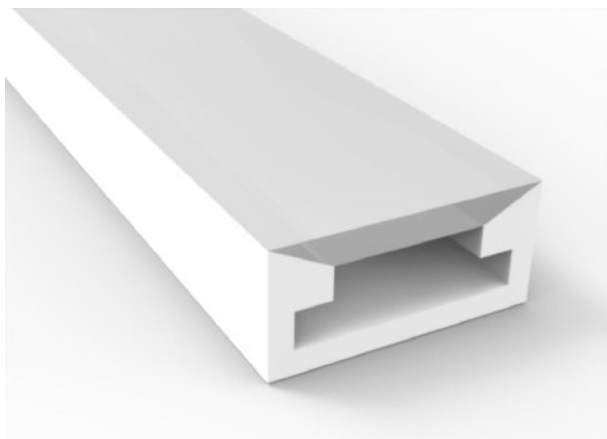
**Mob./Wechat/Whatsapp:** +86-189 26556539

**Add.:** 5F/1#, ChaXi SanWei Industrial Zone, GuShu, XiXiang, BaoAn,  
ShenZhen, 518126, GuangDong, China.

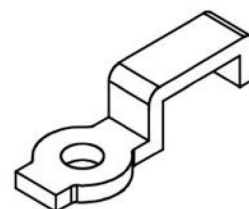
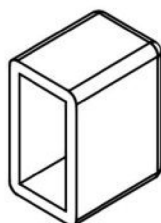
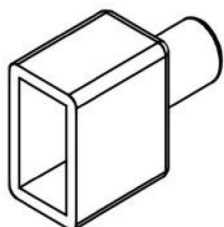
# New Silicin Flexible Tube



# 1. Top View 05\*11(mm)



PCB Width ( mm )	8
Weight(g/m)	45
Section Size ( mm )	5*11

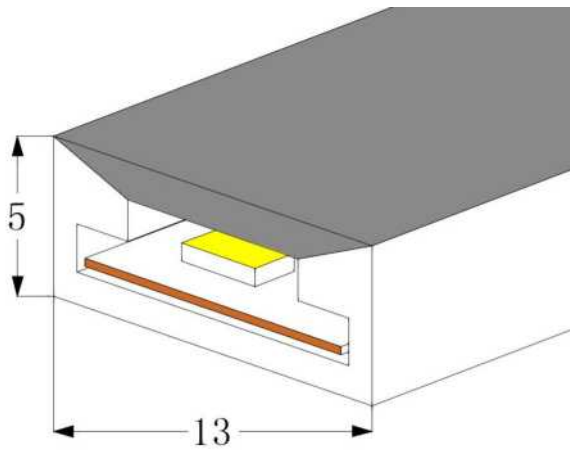
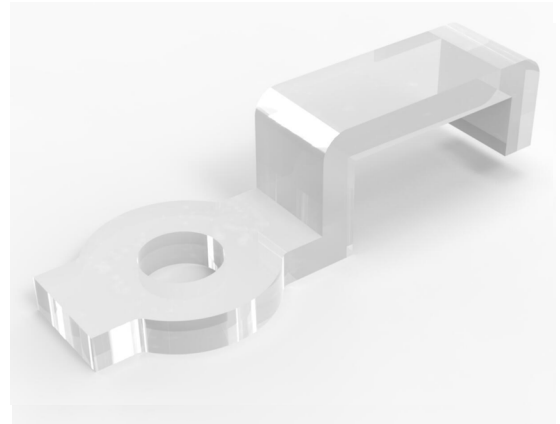
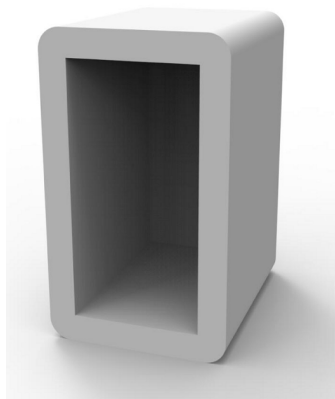
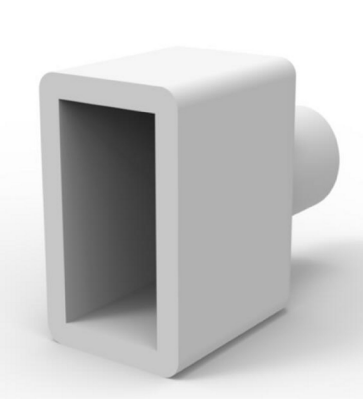
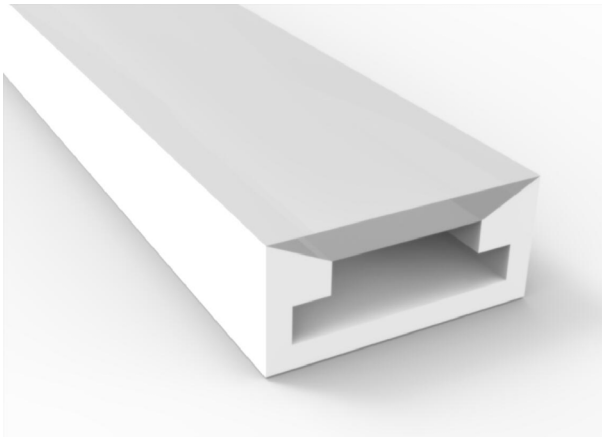


End cap with hole

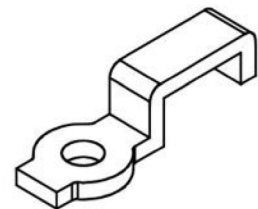
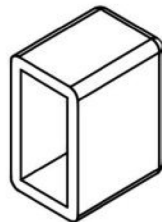
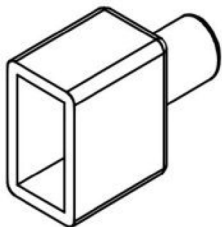
End cap no hole

Plastic clip

## 2. Top View 05\*13(mm)



PCB Width ( mm )	10
Weight(g/m)	55
Section Size ( mm )	5*13



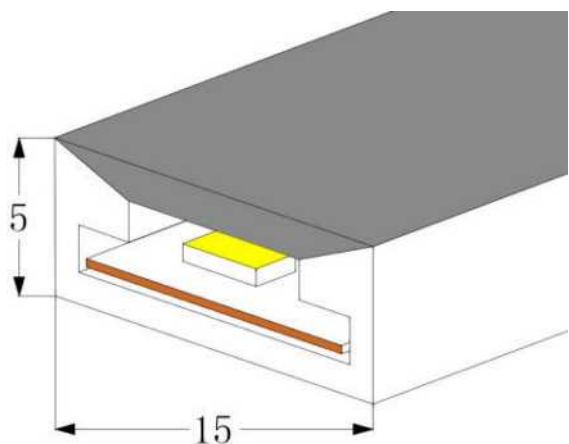
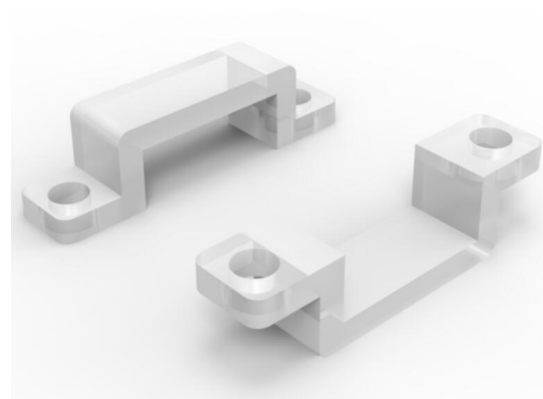
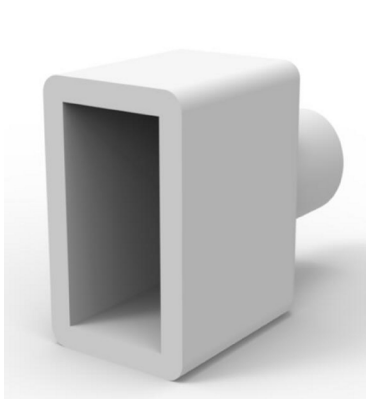
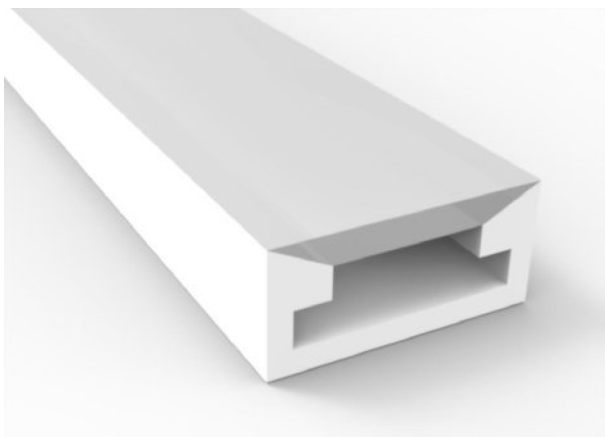
End cap with hole

End cap no hole

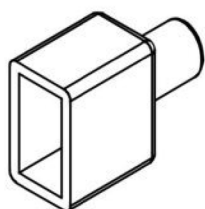
Plastic clip

### 3. Top View 05\*15(mm)

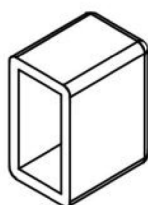
---



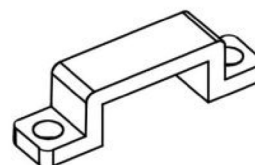
PCB Width ( mm )	12
Weight(g/m)	60
Section Size ( mm )	5*15



End cap with hole



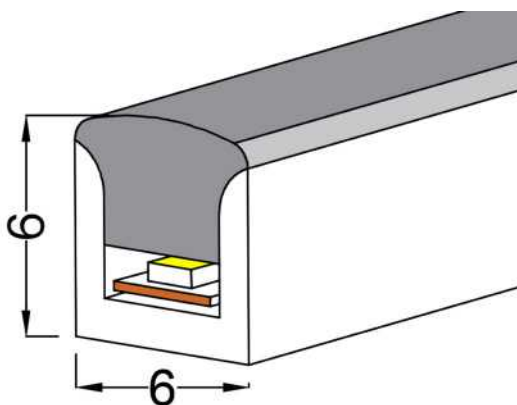
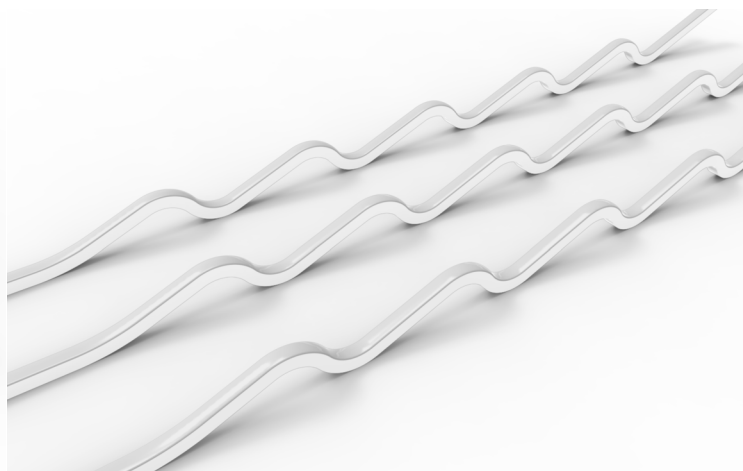
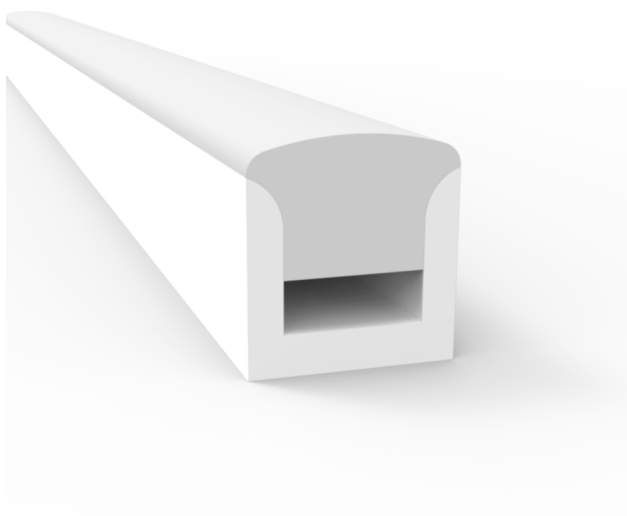
End cap no hole



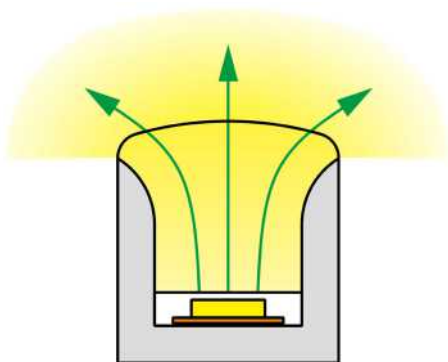
Plastic clip

## 4. Top View 6x6(mm)

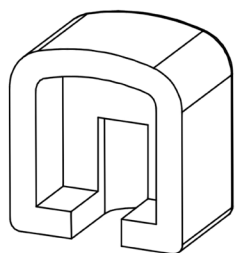
---



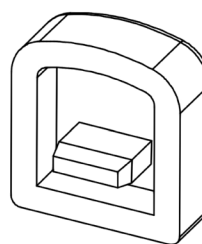
PCB Width ( mm )	3
Weight(g/m)	42.5
Section Size ( mm )	6*6



Lighting Direction: Positive Lighting

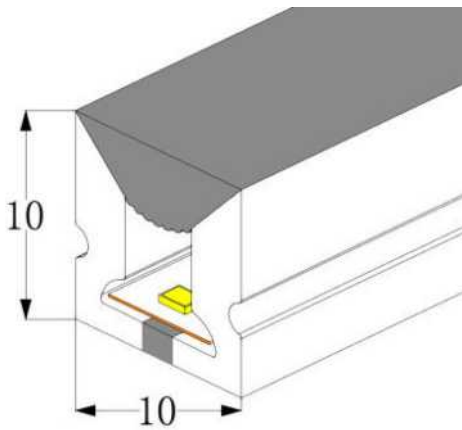
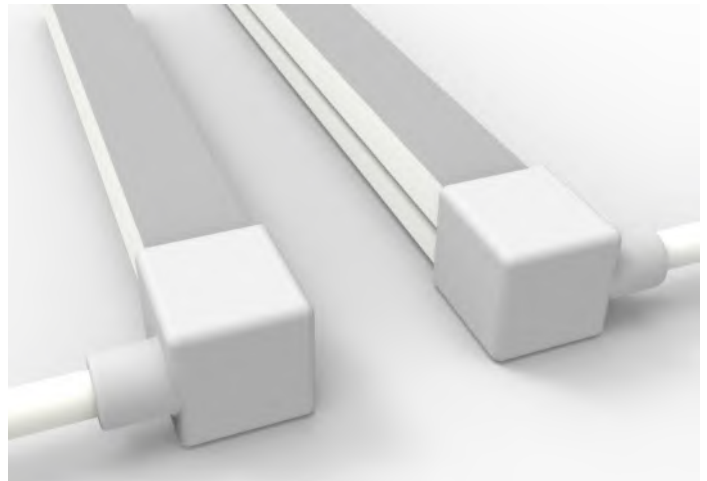
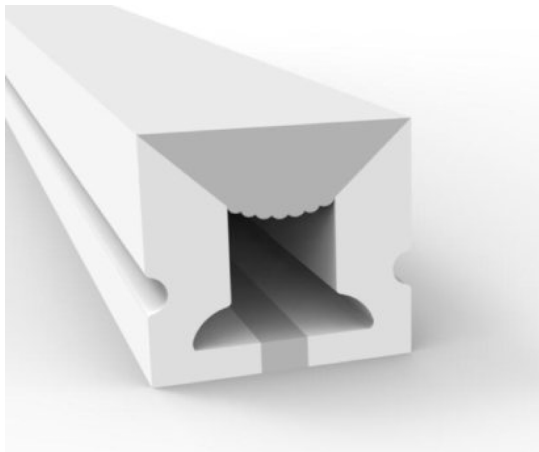


End cap with hole

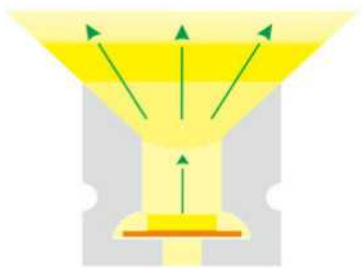


End cap no hole

# 5. Top View 10x10(mm) Flat

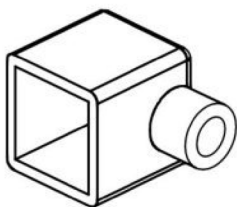


PCB Width ( mm )	6
Weight(g/m)	100
Section Size ( mm )	10*10

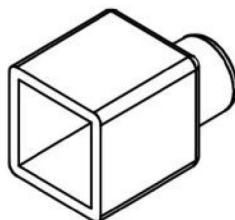


Lighting Direction: Positive Lighting

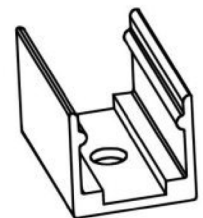
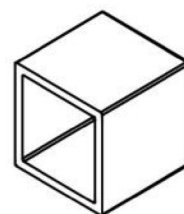
Cutting Mark: Yes



End cap with hole



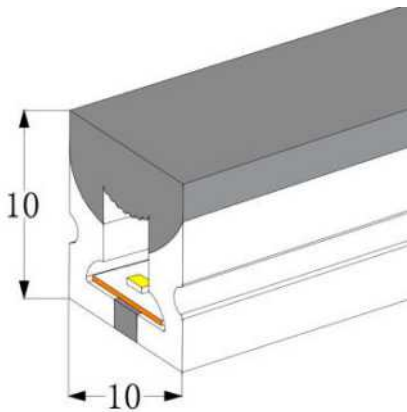
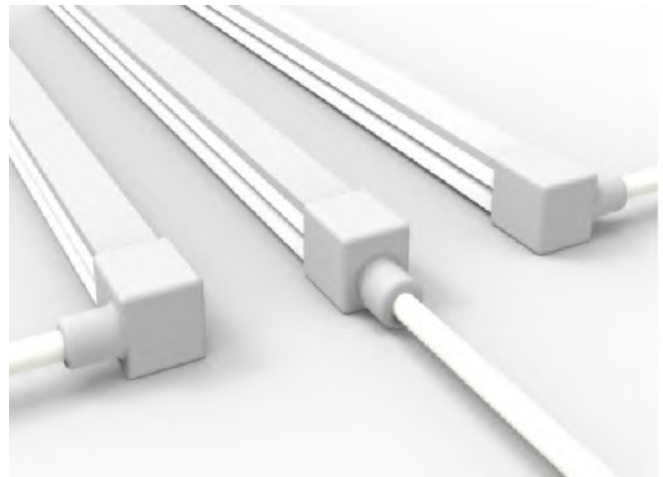
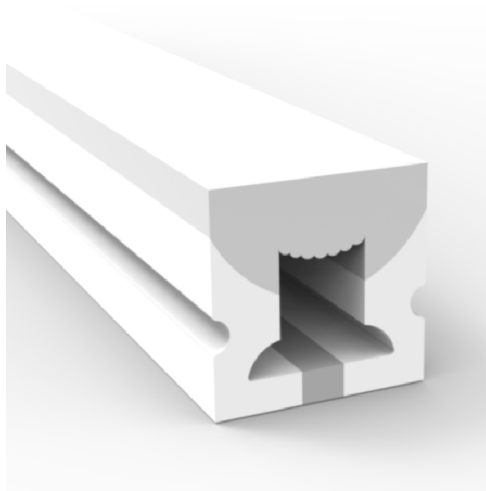
End cap no hole



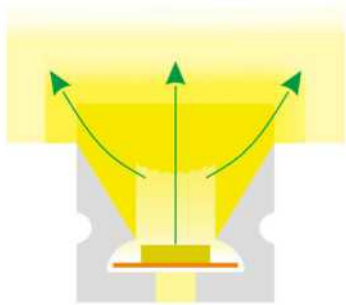
Aluminum clip

## 6. Top View 10x10(mm) 3sides

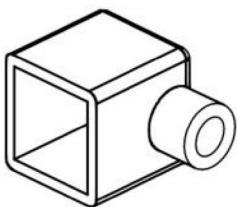
---



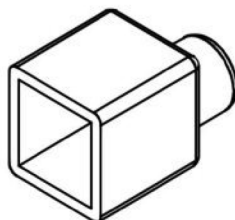
PCB Width ( mm)	6
Weight ( g/m )	100
Section Size(mm)	10*10



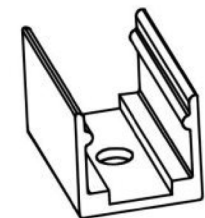
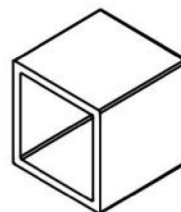
Lighting Direction: 3 sides positive lighting  
Cutting Mark: Yes



End cap with hole



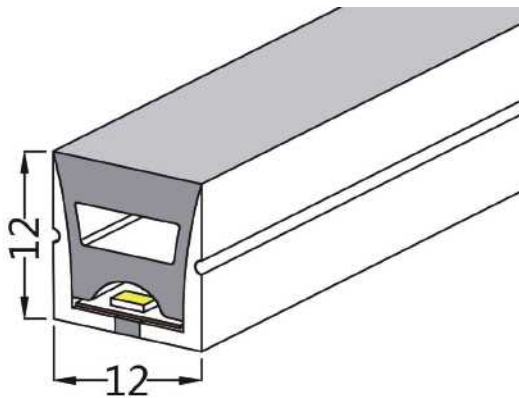
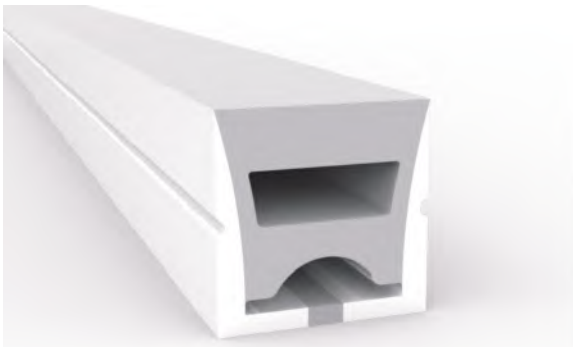
End cap no hole



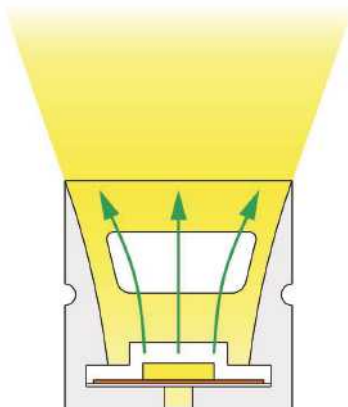
Aluminum clip



# 7. Top View 12x12(mm)

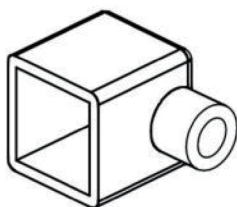


PCBWidth(mm)	8
Weight(g/m)	128
Sectionsize(mm)	12*12

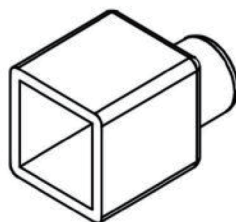


Lighting Direction: Positive Lighting

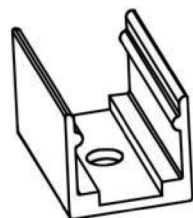
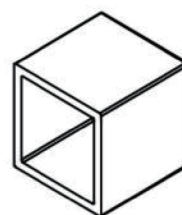
Cutting mark:Yes



End cap with hole

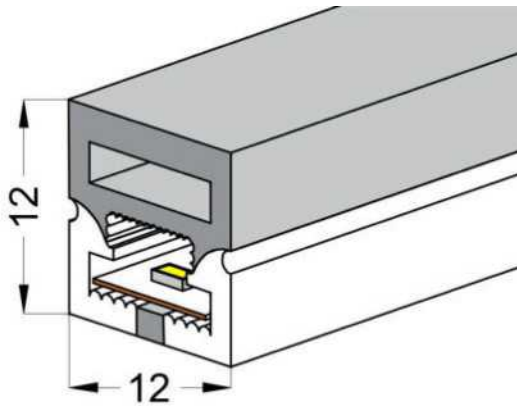
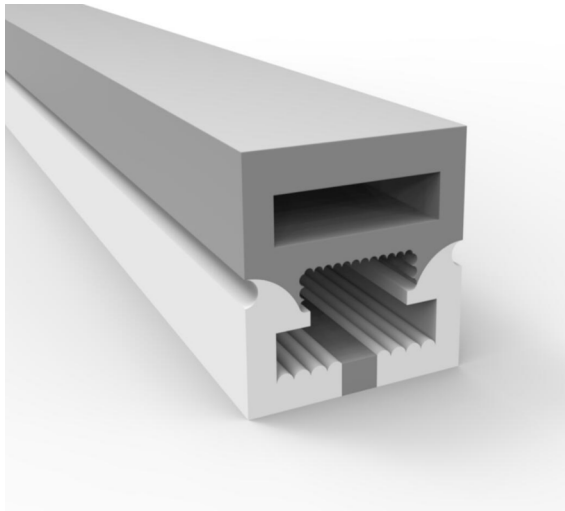


End cap no hole

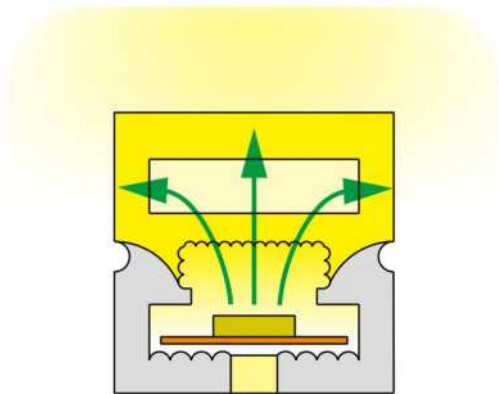


Aluminum Clip

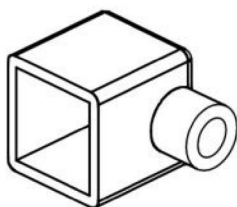
# 8. Top View 12x12(mm) 3sides



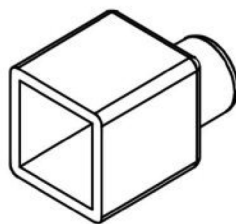
PCB Width ( mm)	8
Weight ( g/m )	130
Section Size(mm)	12*12



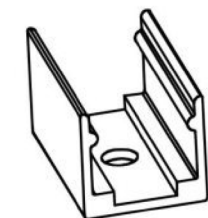
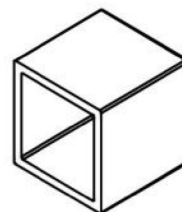
Lighting Direction: 3 sides positive lighting  
Cutting Mark: Yes



End cap with hole

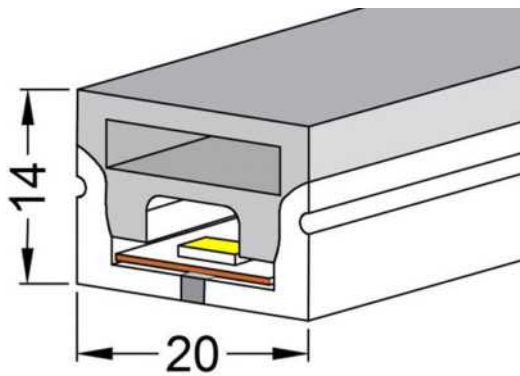
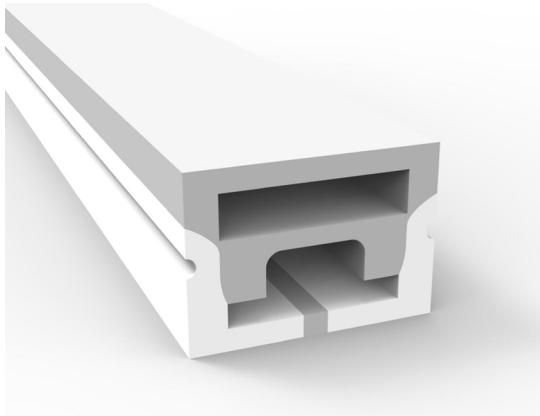


End cap no hole

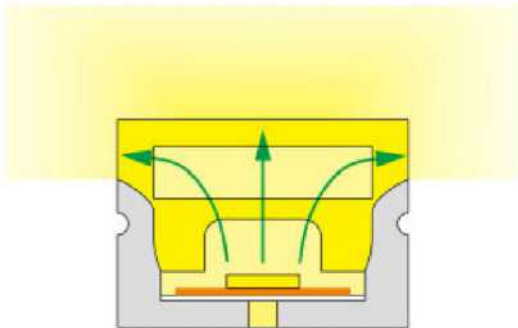


Aluminum clip

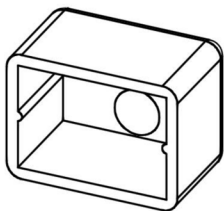
# 9. Top View 20x14(mm) 3sides



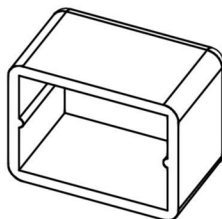
PCB Width ( mm)	12
Weight ( g/m )	250
Section Size(mm)	20*14



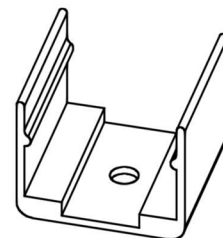
Lighting Direction: 3 sides positive lighting  
Cutting Mark: Yes



End cap with hole

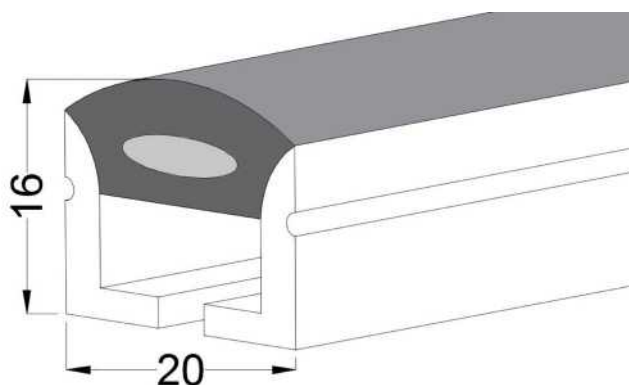
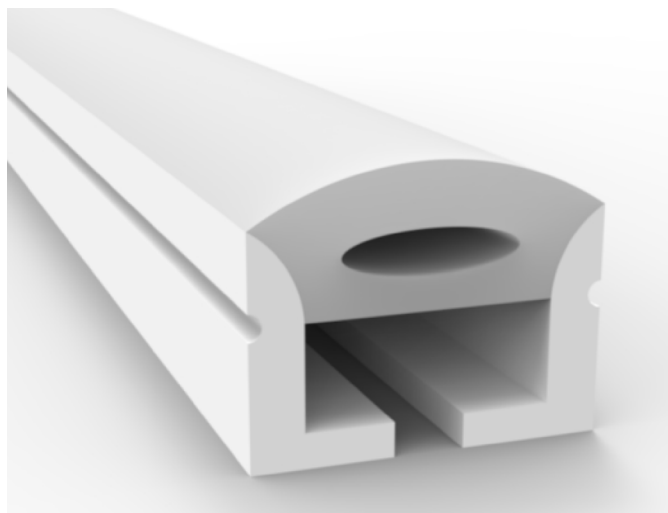


End cap no hole

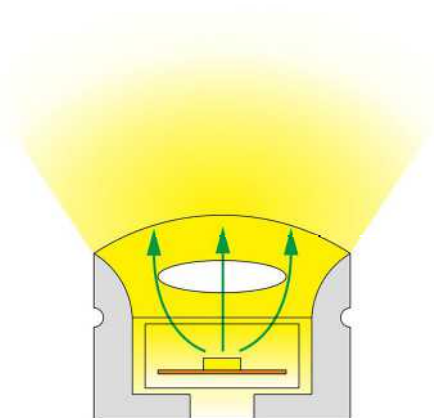


Aluminum clip

# 10. Top View 20x16(mm)

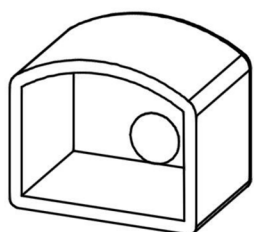


PCB Width ( mm)	10
Weight ( g/m )	235
Section Size(mm)	20*16

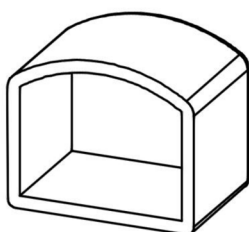


Lighting Direction: 3 sides positive lighting

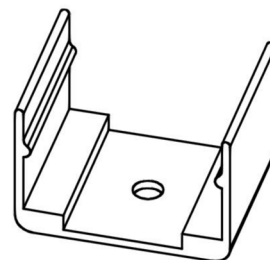
Cutting Mark: Yes



End cap with hole

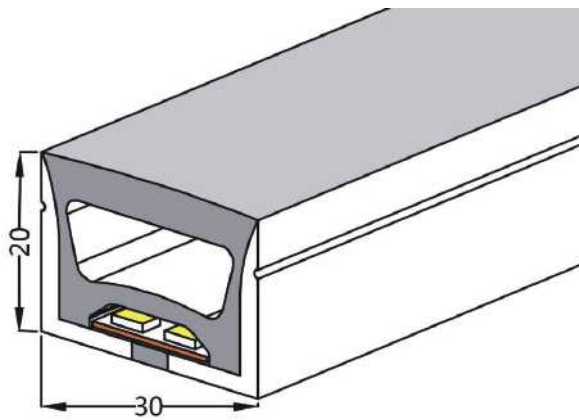
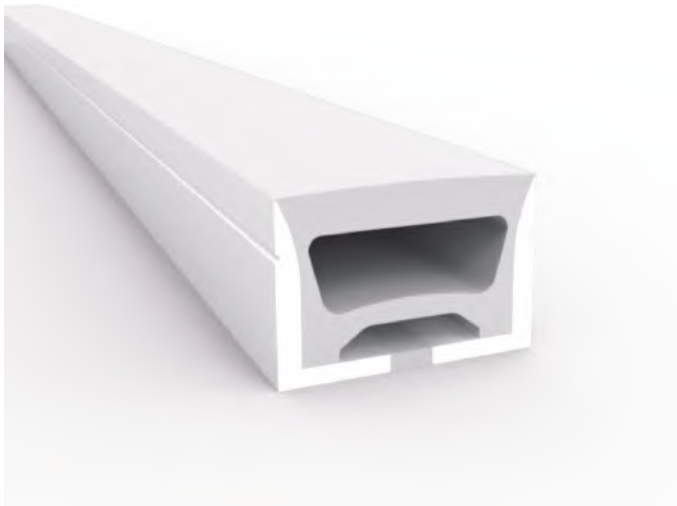


End cap no hole

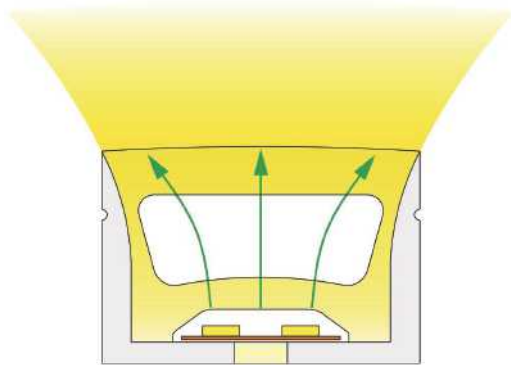


Aluminum clip

# 11. Top View 30x20(mm)

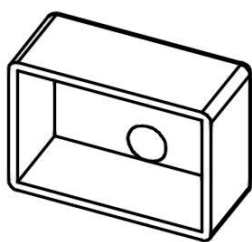


PCBWidth(mm)	15
Weight(g/m)	490
Sectionsize(mm)	30*20

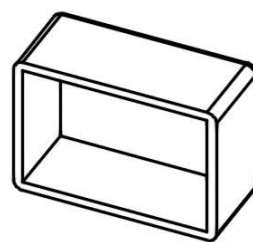
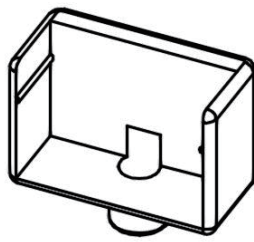


Lighting Dairction: Positive Lighting

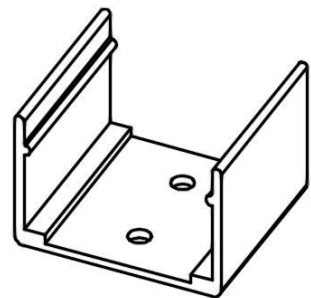
Cutting mark:Yes



End cap with hole

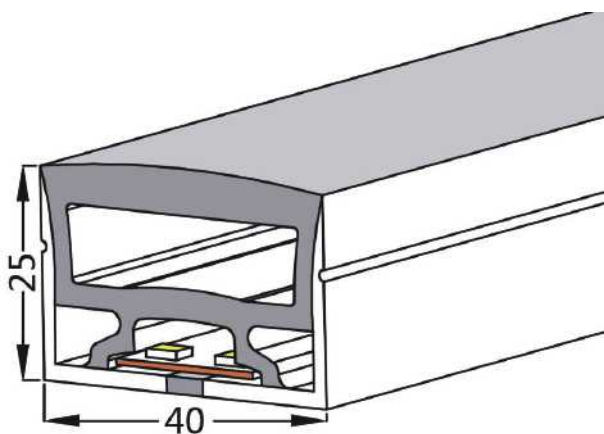
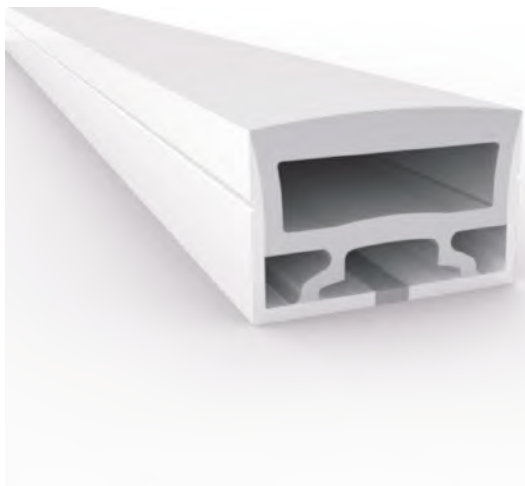


End cap no hole

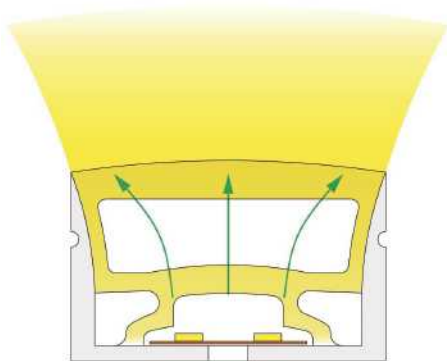


Aluminum Clip

## 12. Top View 40x25(mm)

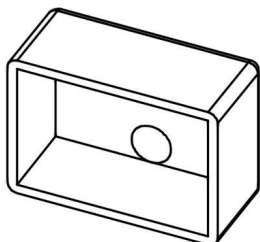


PCBWidth(mm)	20
Weight(g/m)	620
Sectionsize(mm)	40*25

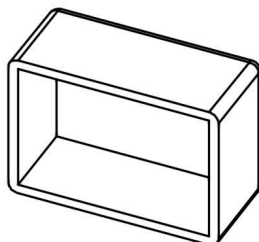


Lighting Dairction: Positive Lighting

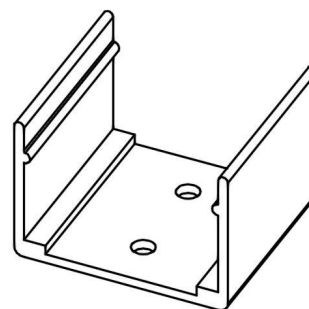
Cutting mark:Yes



End cap with hole

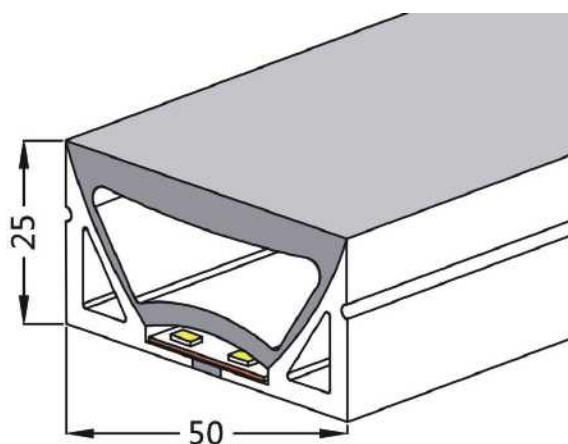
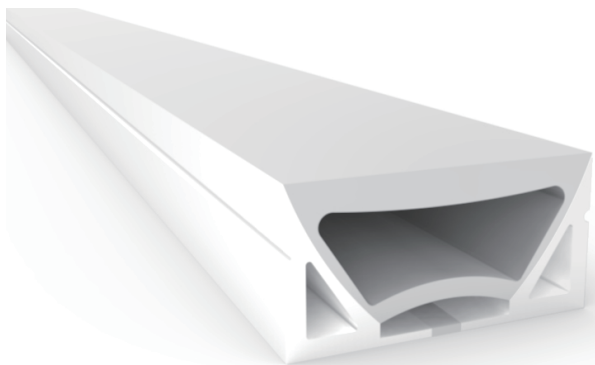


End cap no hole

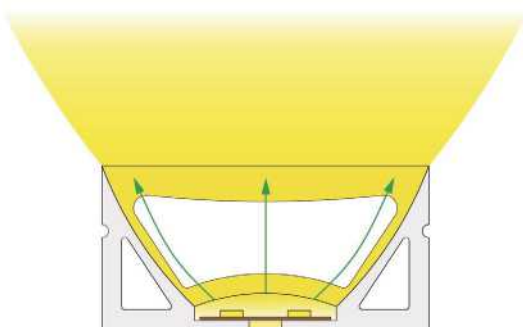


Aluminum Clip

# 13. Top View 50x25(mm)

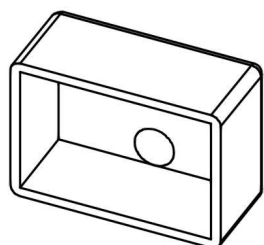


PCBWidth(mm)	20
Weight(g/m)	800
Sectionsize(mm)	50*25

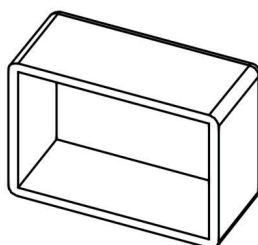


Lighting Dairction: Positive Lighting

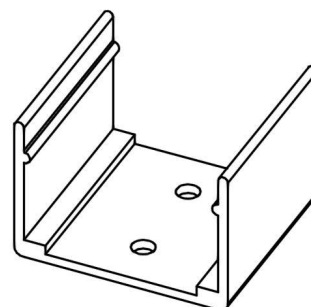
Cutting mark:Yes



End cap with hole

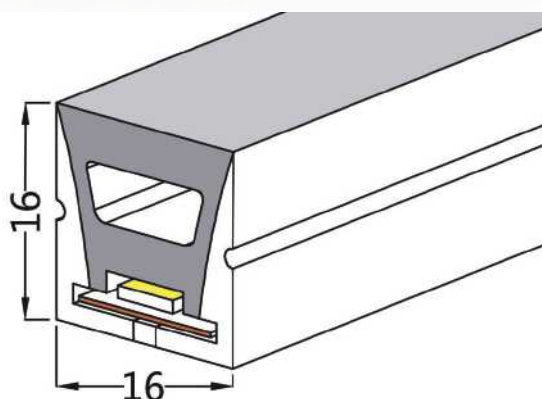
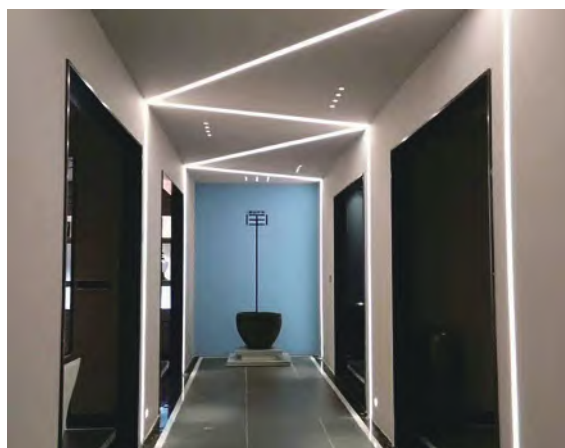
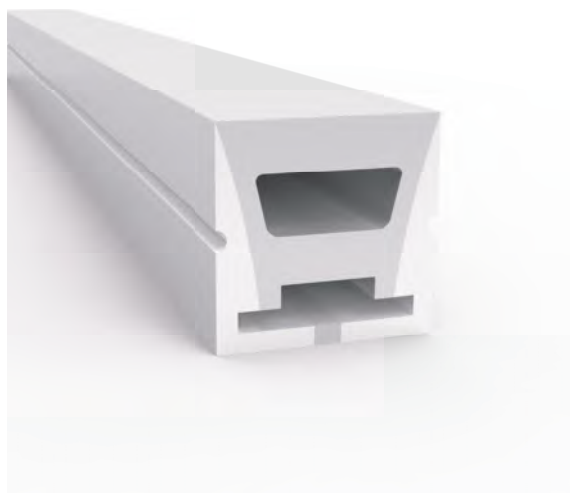


End cap no hole

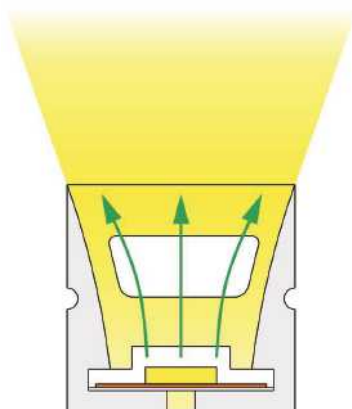


Aluminum Clip

# 14. Top View 16x16(mm)

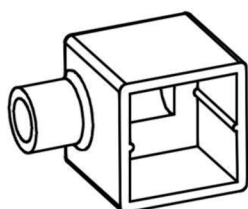


PCBWidth(mm)	10/12
Weight(g/m)	226
Sectionsize(mm)	16*16

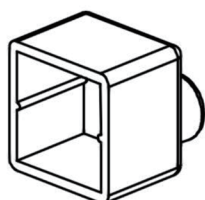


LightingDirection:PositiveLighting

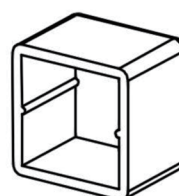
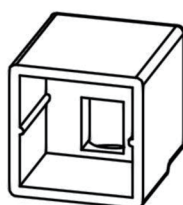
Cutting mark:Yes



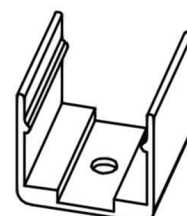
End cap with hole



End cap no hole

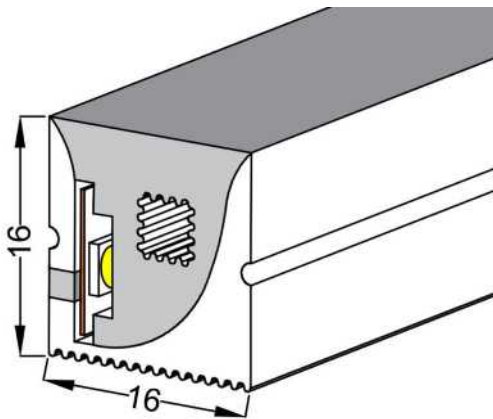
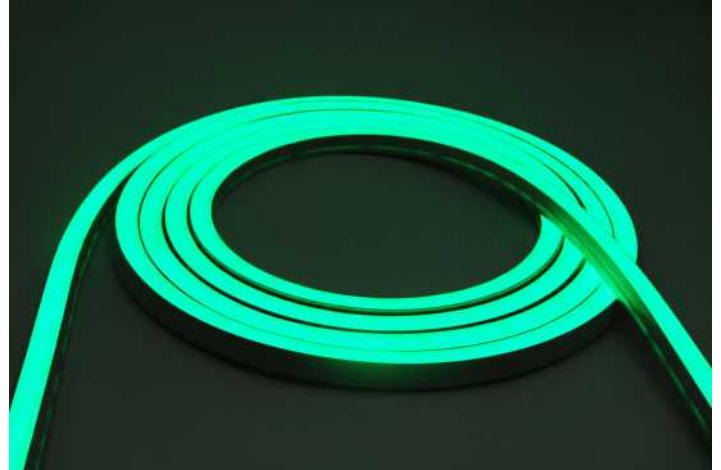
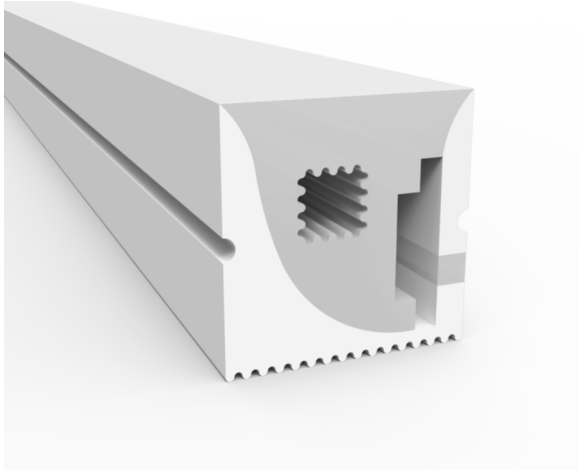


Aluminum Clip

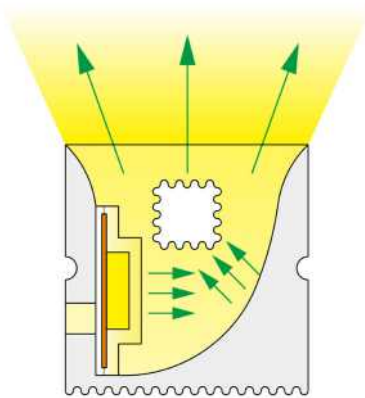




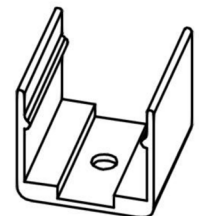
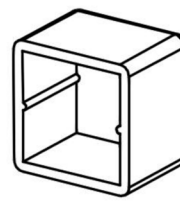
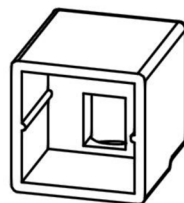
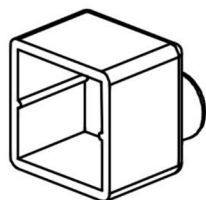
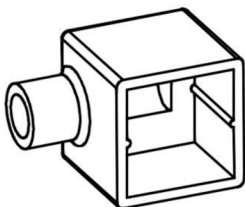
# 15. Side View 16x16(mm)



PCB Width ( mm)	10
Weight ( g/m )	276
Section Size(mm)	16*16



Lighting Direction: Edge Lighting  
Cutting Mark: Yes

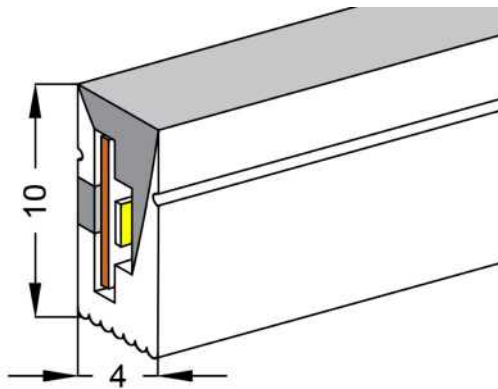
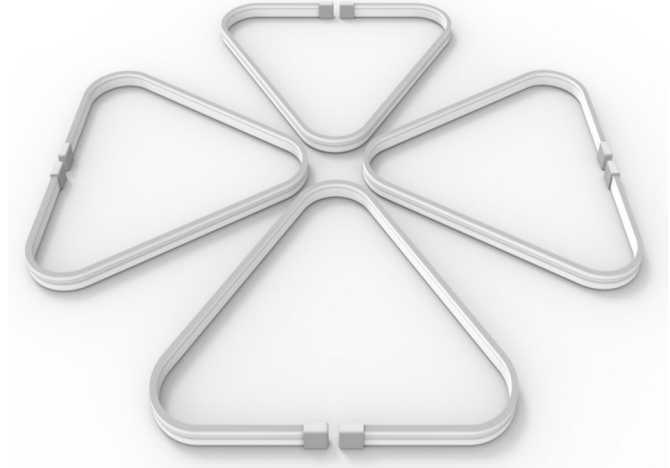
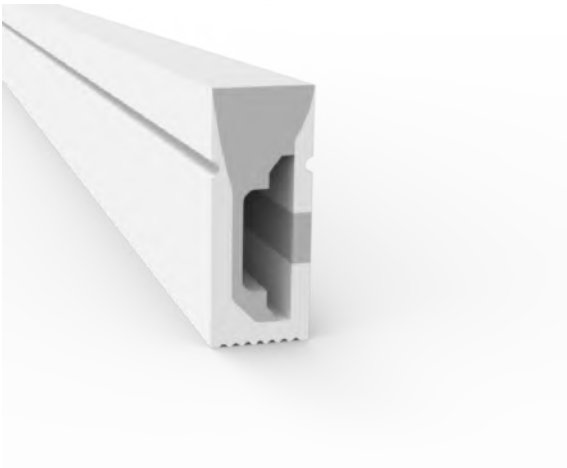


End cap with hole

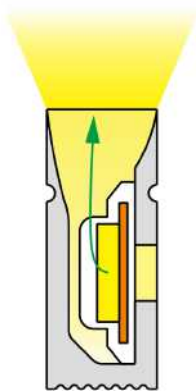
End cap no hole

Aluminum clip

# 16. Side view 04\*10(mm )

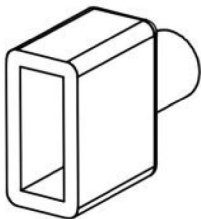


PCB Width ( mm)	5
Weight ( g/m )	35
Section Size(mm)	4*10

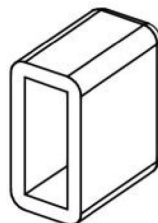


Lighting Direction: Edge Lighting

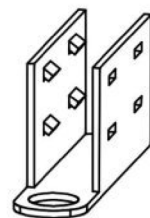
Cutting Mark: Yes



End cap with hole

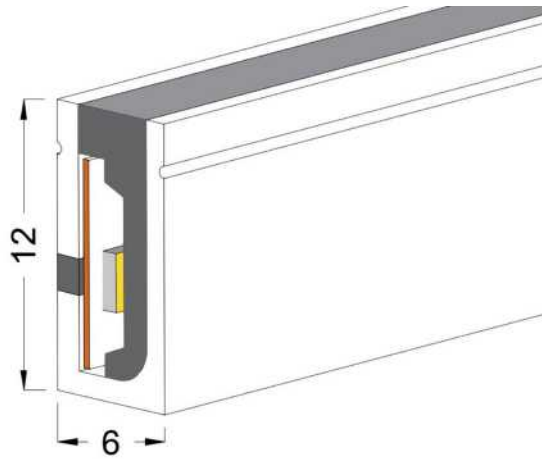
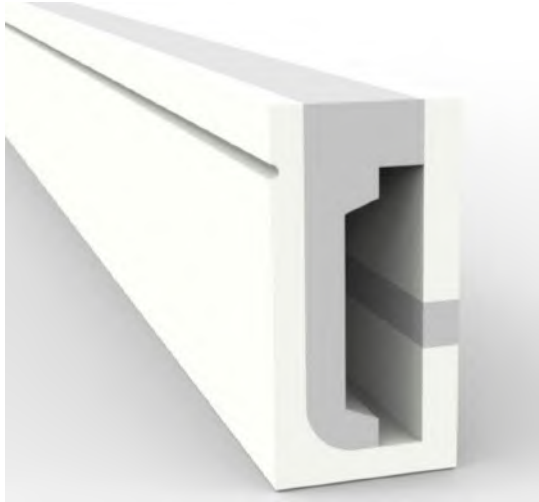


End cap no hole

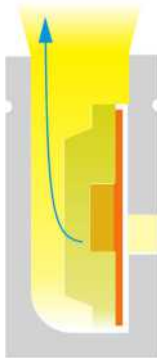


Aluminum clip

# 17 Side view 06\*12(mm)

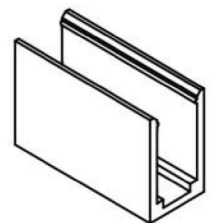
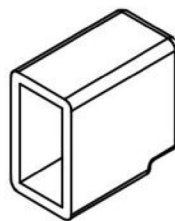
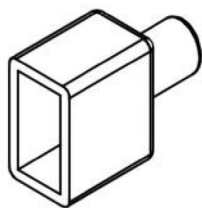
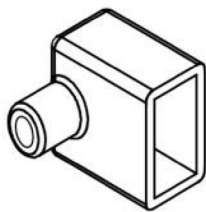


PCB Width ( mm)	8
Weight ( g/m)	90
Section Size(mm)	6*12



Lighting Direction: Edge Lighting

Cutting Mark: Yes

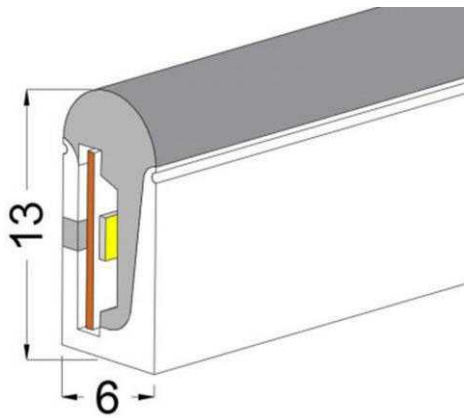
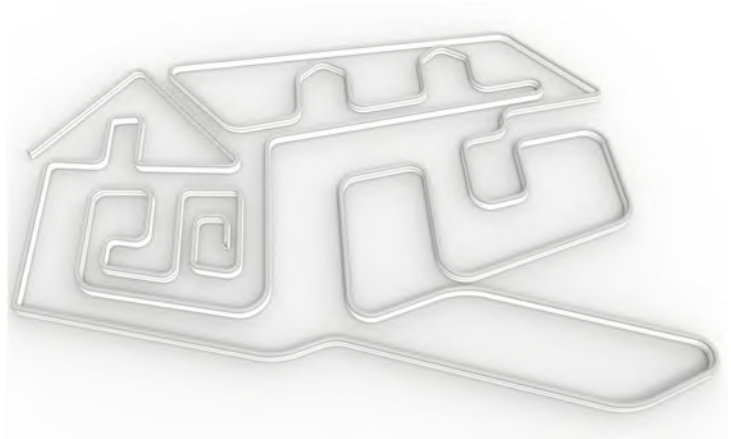
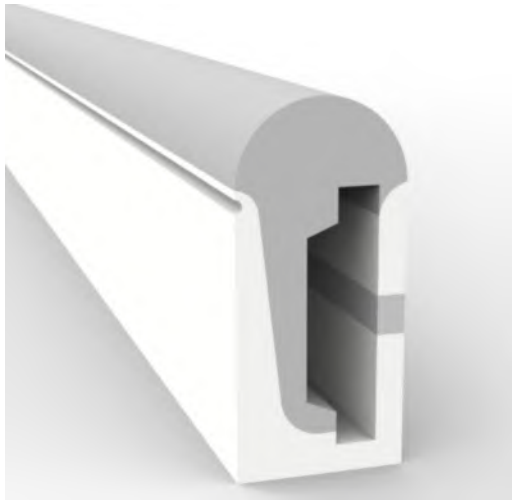


End cap with hole

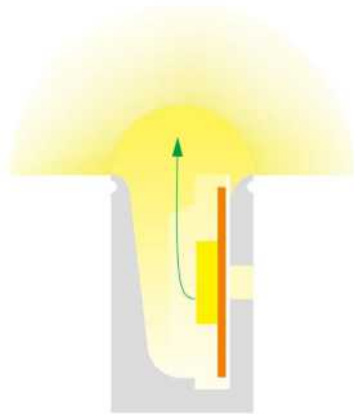
End cap no hole

Aluminum clip

# 18. Side view 06\*13(mm)

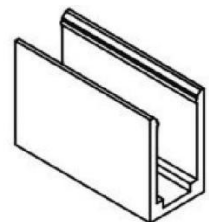
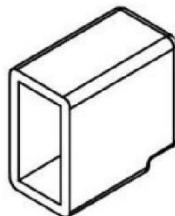
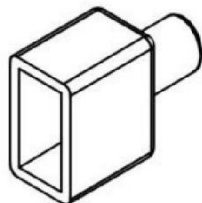
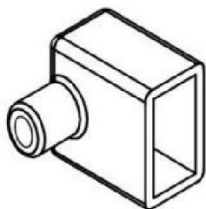


PCB Width ( mm)	8
Weight ( g/m )	75
Section Size(mm)	6* 13



Lighting Direction: Edge Lighting

Cutting Mark: Yes

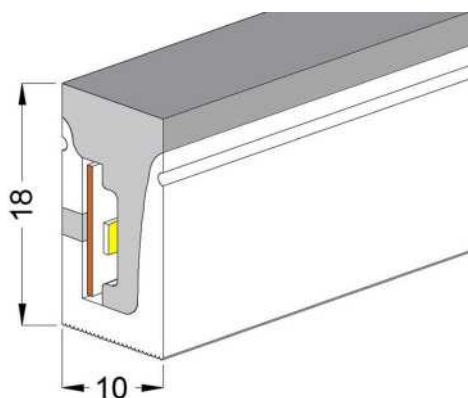
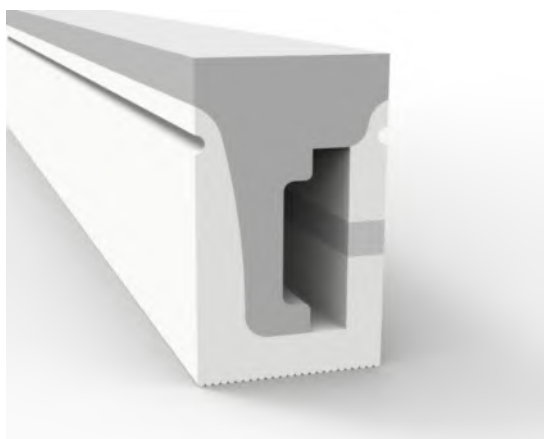


End cap with hole

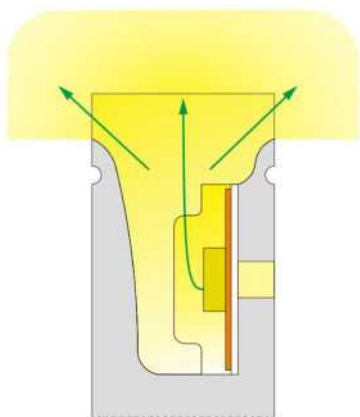
End cap no hole

Aluminum clip

# 19. Side view 10x18(mm)

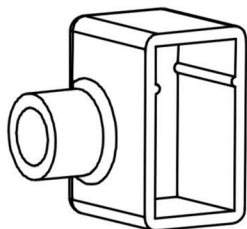


PCB Width ( mm )	10
Weight ( g/ m )	190
Section Size(mm)	10*18

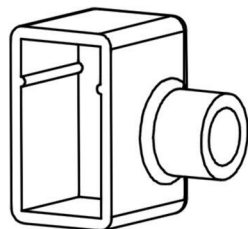


Lighting Direction: Edge Lighting

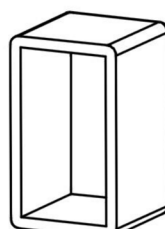
Cutting Mark: Yes



End cap with hole

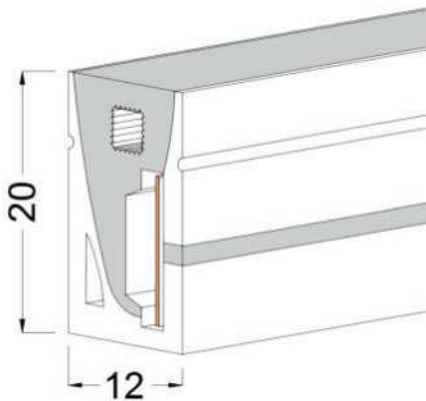
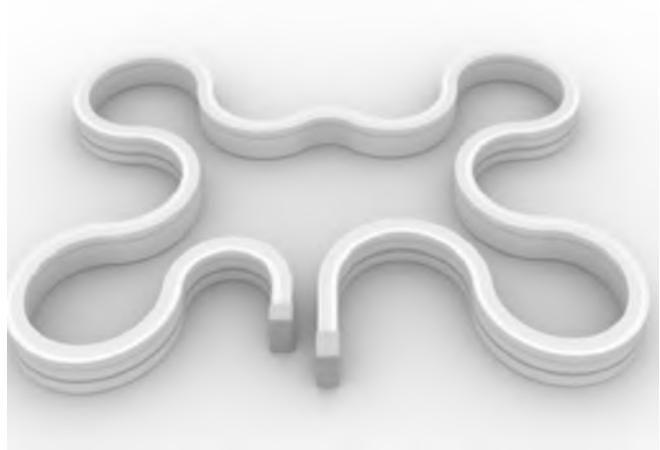
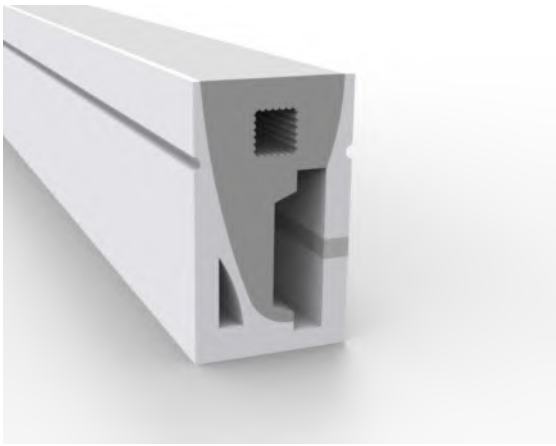


End cap no hole

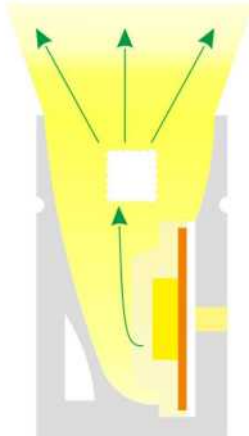


Aluminum clip

## 20. Side view 12x20(mm) 1side

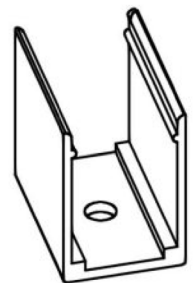
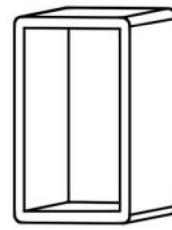
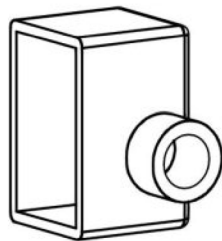
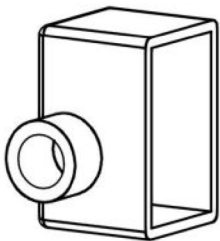


PCB Width ( mm)	10
Weight ( g/ m)	252
Section Size(mm)	12* 20



Lighting Direction: Edge Lighting

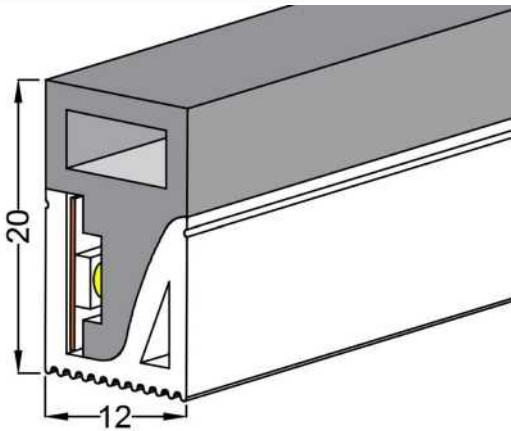
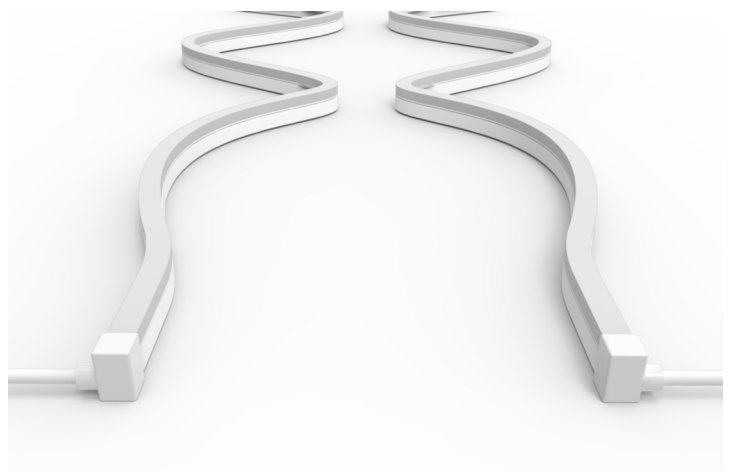
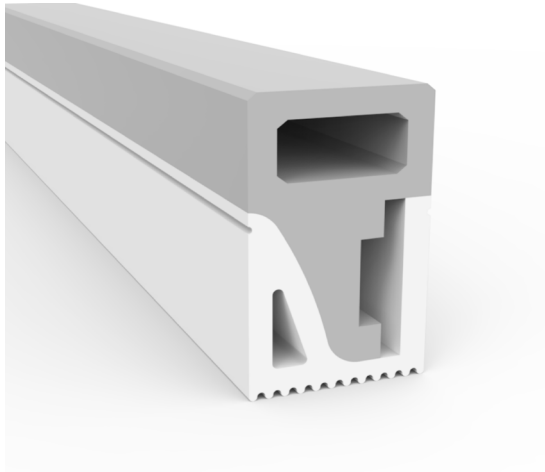
Cutting Mark: Yes



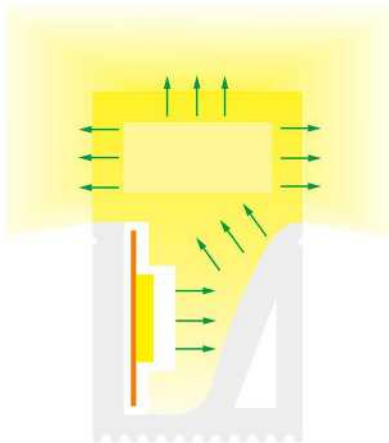
End cap with hole

End cap no hole Aluminum clip

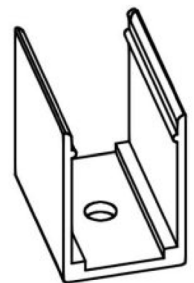
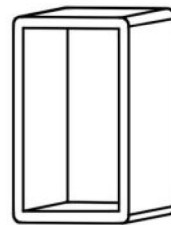
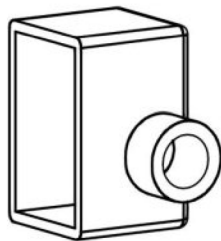
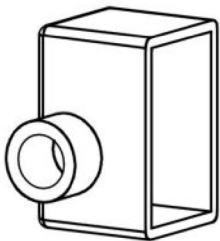
# 21. Side view 12x20(mm) 3sides



PCB Width ( mm)	10
Weight ( g/ m )	232
Section Size(mm)	12* 20



Lighting Direction: 3 sides edge lighting

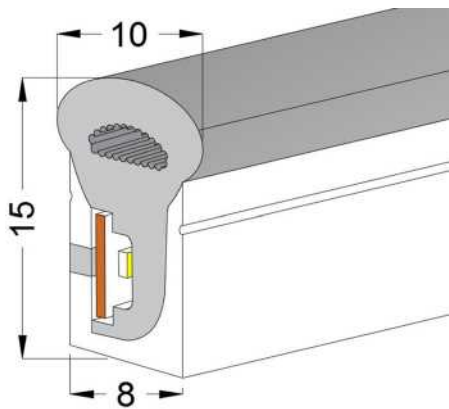
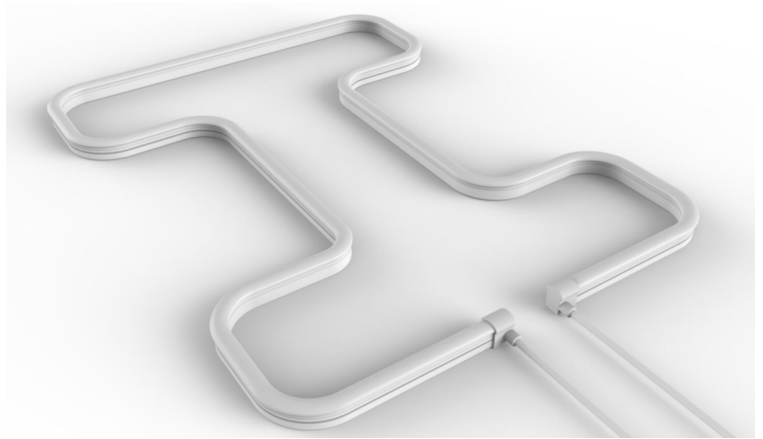
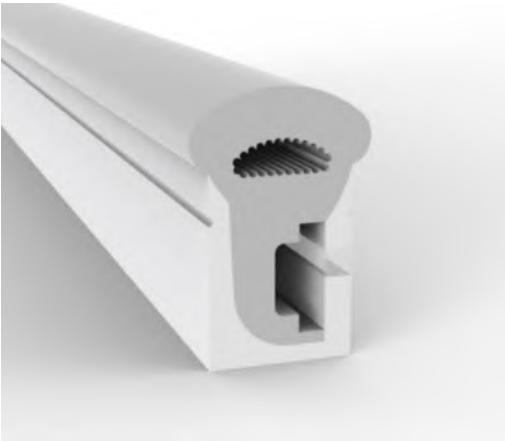


End cap with hole

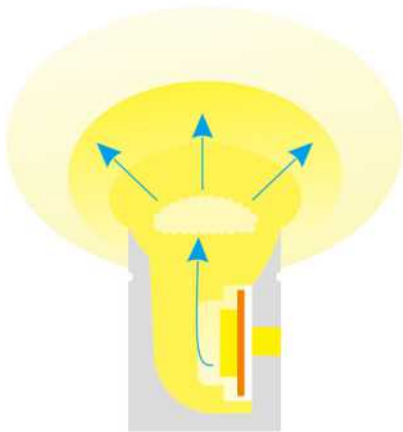
End cap no hole

Aluminum clip

## 22.Side view 08\*15(mm)

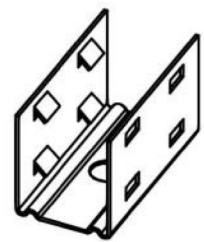
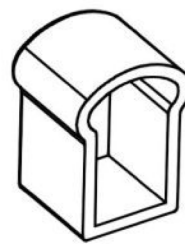
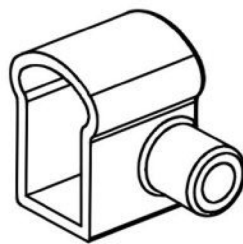
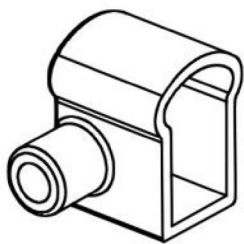


PCB Width ( mm)	5
Weight ( g/m )	140
Section Size(mm)	8*15



Lighting Direction: Edge Lighting

Cutting Mark: Yes



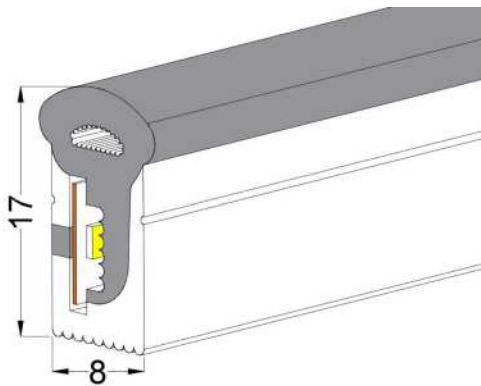
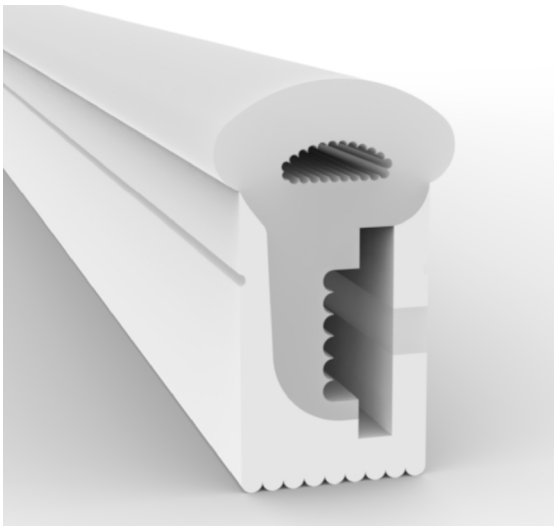
End cap with hole

End cap no hole

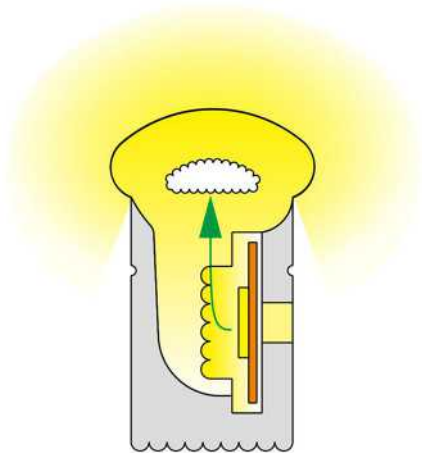
Aluminum clip



## 23.Side view 08\*17(mm)

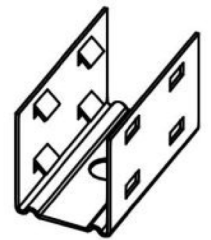
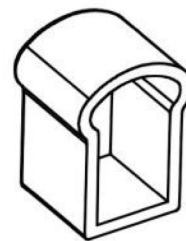
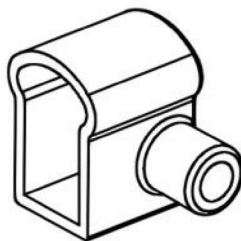
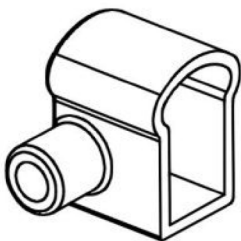


PCB Width ( mm)	8
Weight ( g/m )	160
Section Size(mm)	8*17



Lighting Direction: Edge Lighting

Cutting Mark: Yes

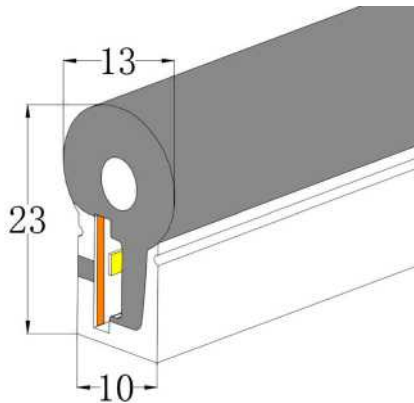
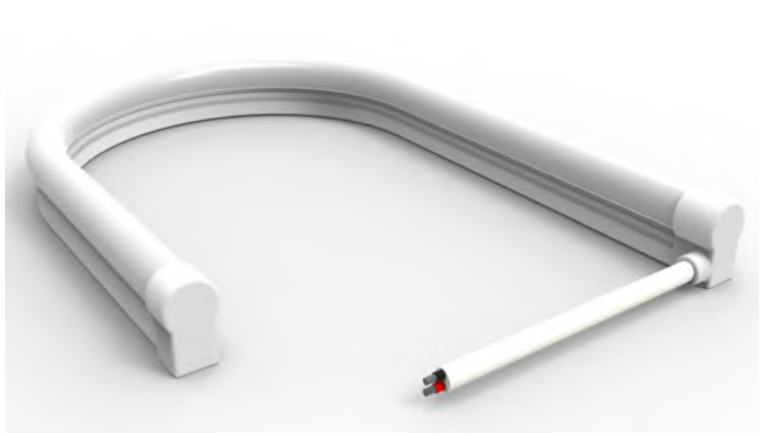
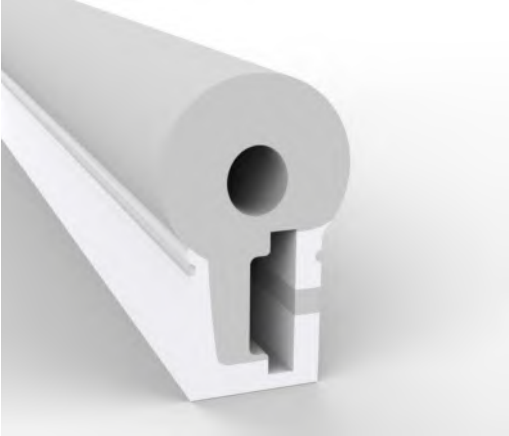


End cap with hole

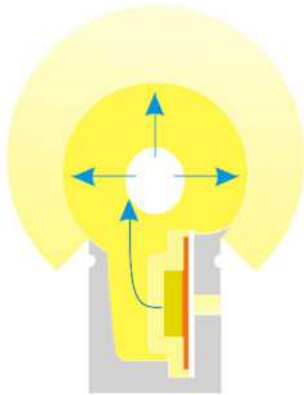
End cap no hole

Aluminum clip

## 24. Side view 10\*23(mm)



PCB Width ( mm)	10
Weight ( g/m )	240
Section Size(mm)	10*23



Lighting Direction: Edge Lighting

Cutting Mark: Yes

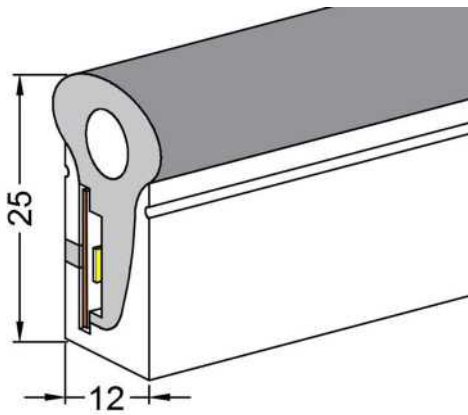
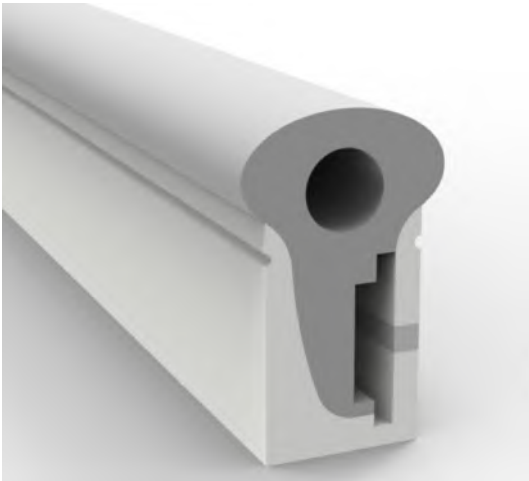


End cap with hole

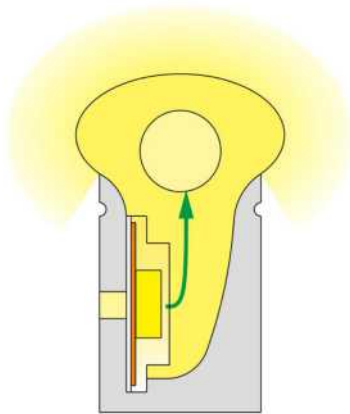
End cap no hole

Aluminum clip

## 25. Side view 12\*25(mm)

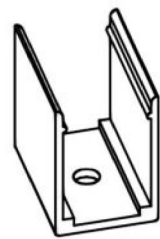
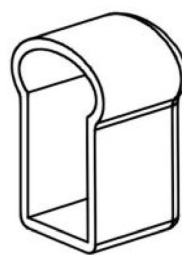
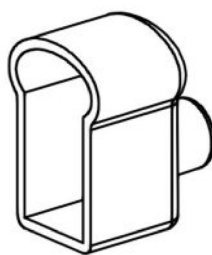
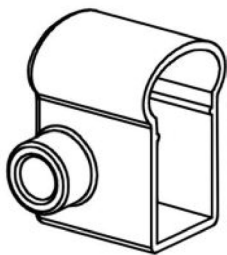


PCB Width ( mm)	12
Weight ( g/m )	280
Section Size(mm)	12*25



Lighting Direction: Edge Lighting

Cutting Mark: Yes

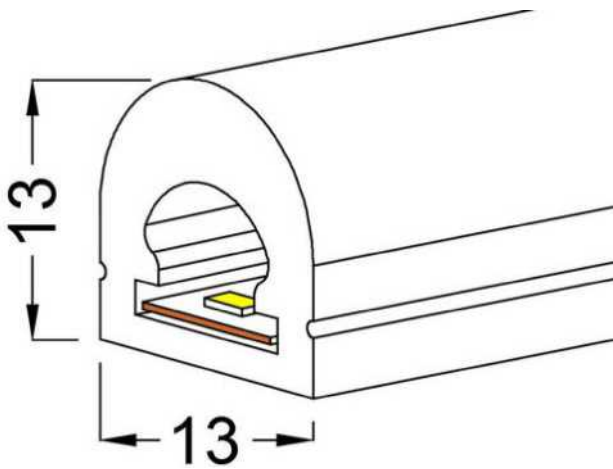
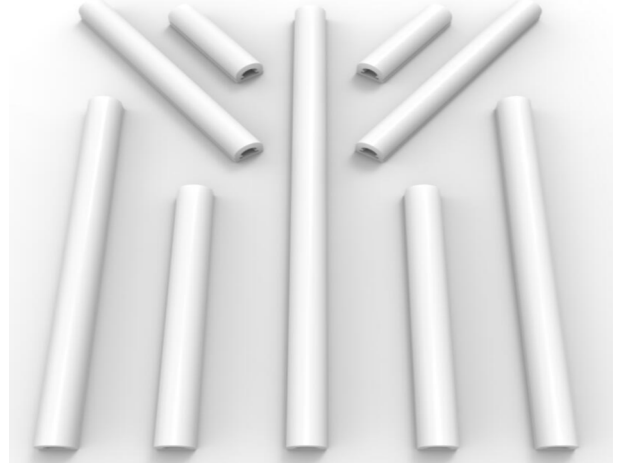
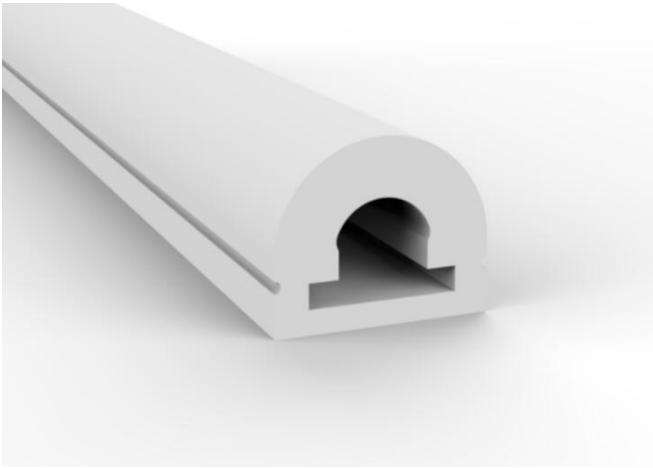


End cap with hole

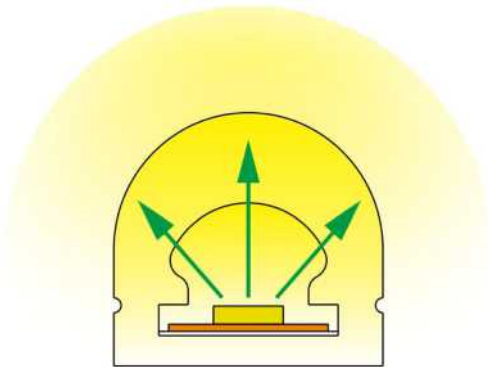
End cap no hole

Aluminum clip

## 26. Round Series Top view 13x13(mm)

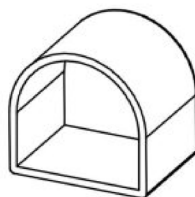
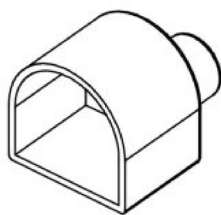


PCB Width ( mm)	8
Weight ( g/m )	125
Section Size(mm)	13*13



Lighting Direction: Positive Lighting

Cutting Mark: Yes

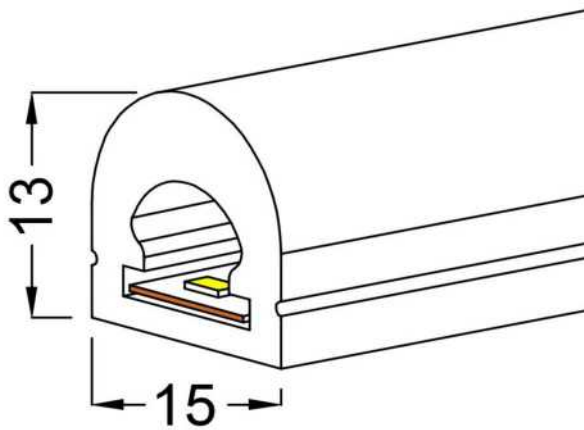
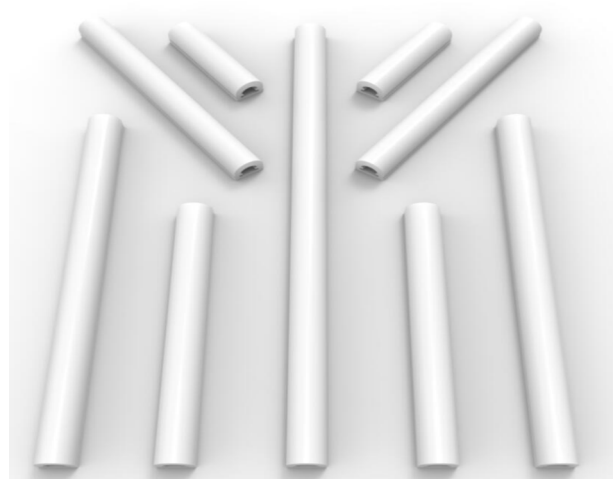
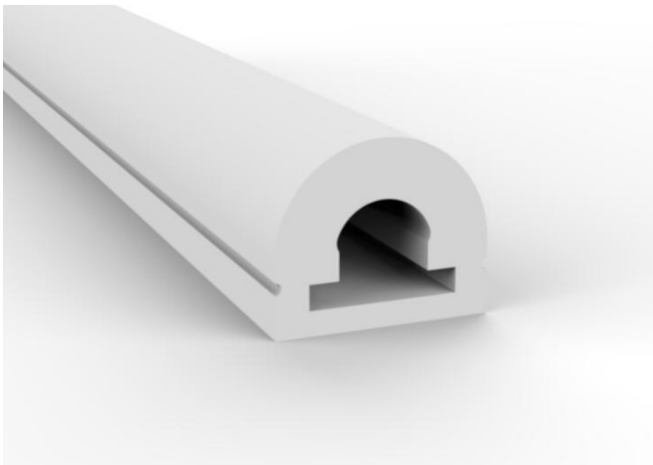


End cap with hole

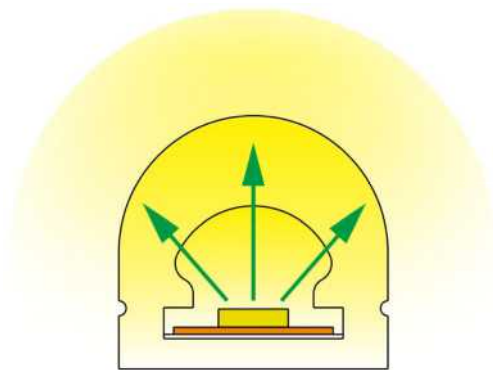
End cap no hole

Plastic clip

# 27. Round Series Top view 13x15(mm)

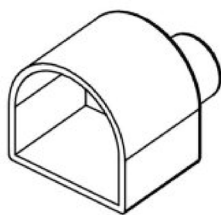


PCB Width ( mm)	10
Weight ( g/m )	146
Section Size(mm)	13*15

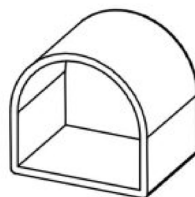


Lighting Direction: Positive Lighting

Cutting Mark: Yes



End cap with hole



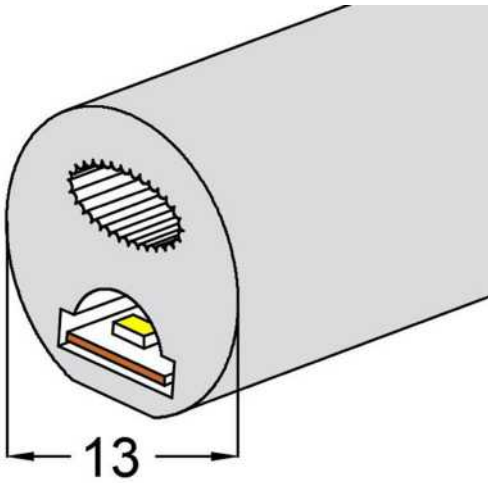
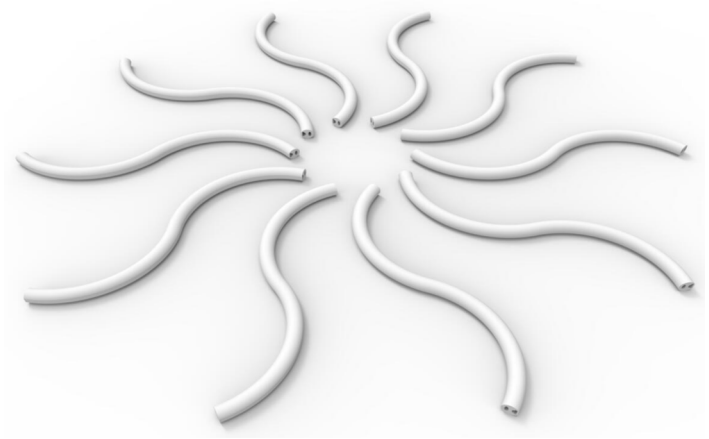
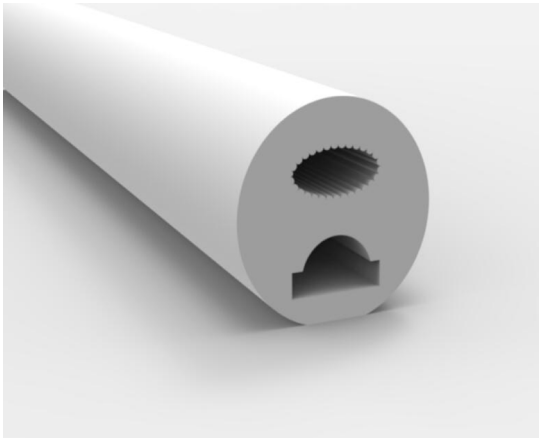
End cap no hole



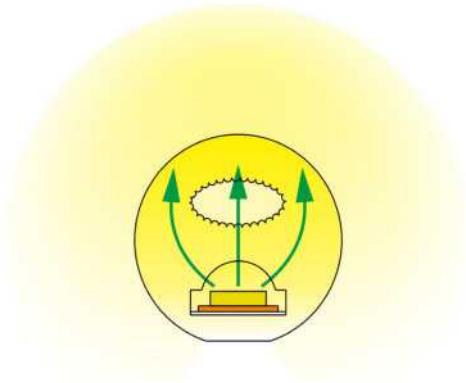
Plastic clip

## 28. Round Series Top view $\varphi 13\text{mm } 360^\circ$

---



PCB Width ( mm)	5
Weight ( g/m )	125
Section Size(mm)	$\varphi 13$



Lighting Direction: Positive Lighting

Cutting Mark: Yes



End cap with hole



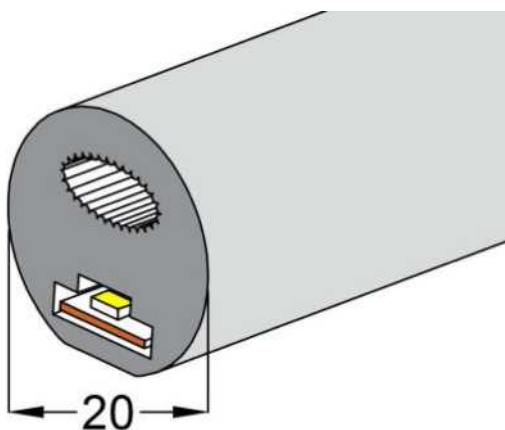
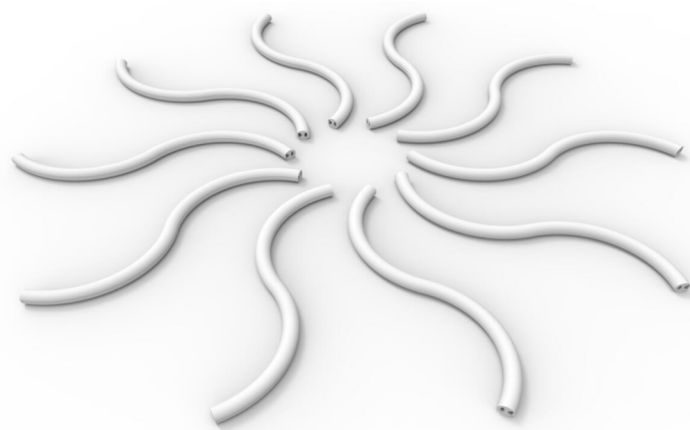
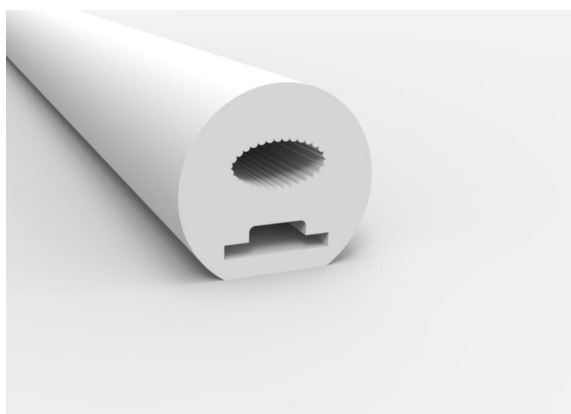
End cap no hole



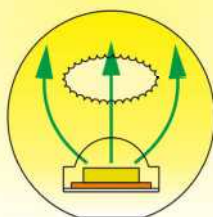
Plastic clip

## 29. Round Series Top view $\varnothing$ 20mm 360°

---



PCB Width ( mm)	10
Weight ( g/m )	320
Section Size(mm)	$\varnothing$ 20



Lighting Direction: Positive Lighting

Cutting Mark: Yes



End cap with hole



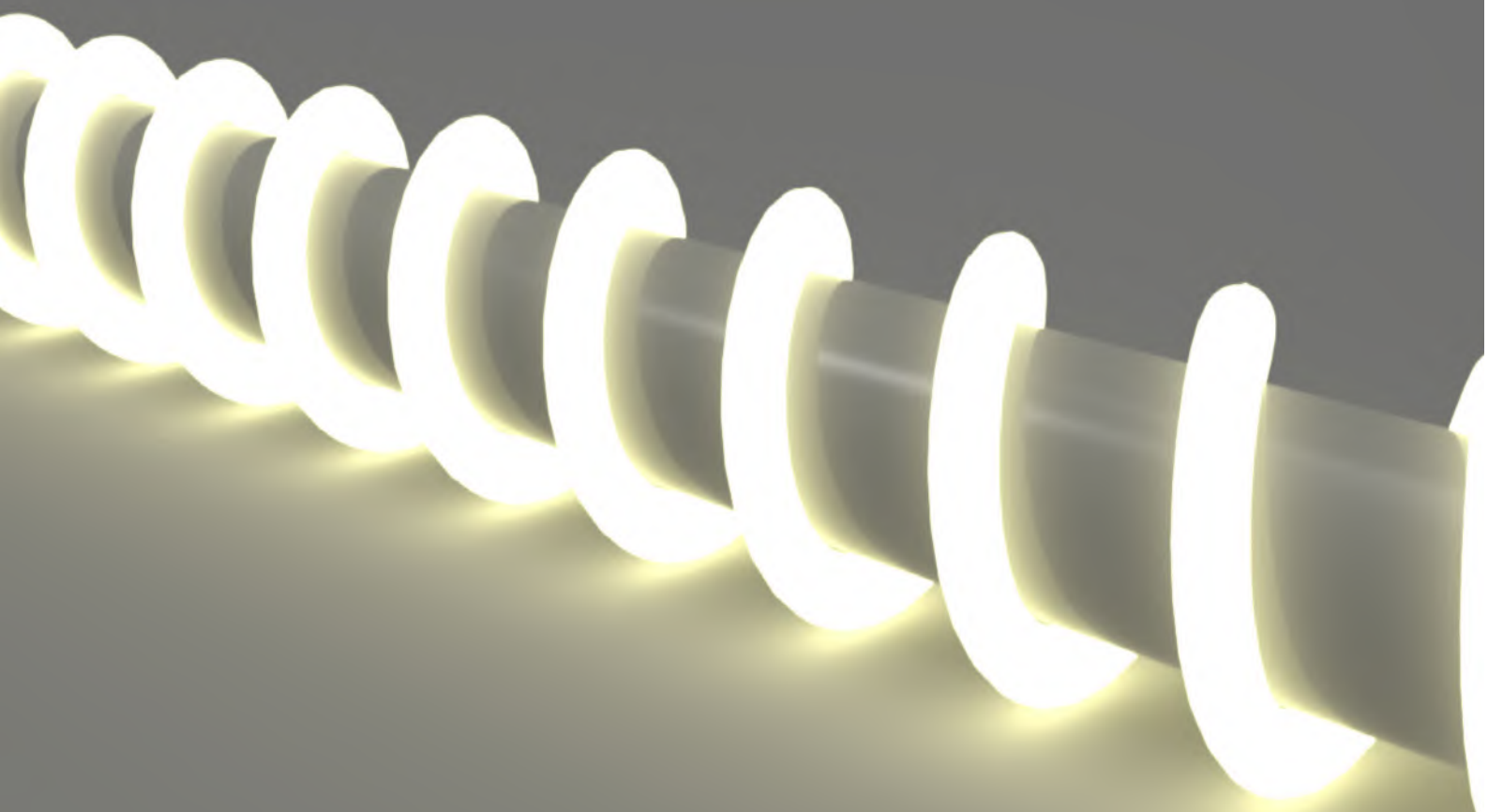
End cap no hole



Plastic clip



1220



D-22

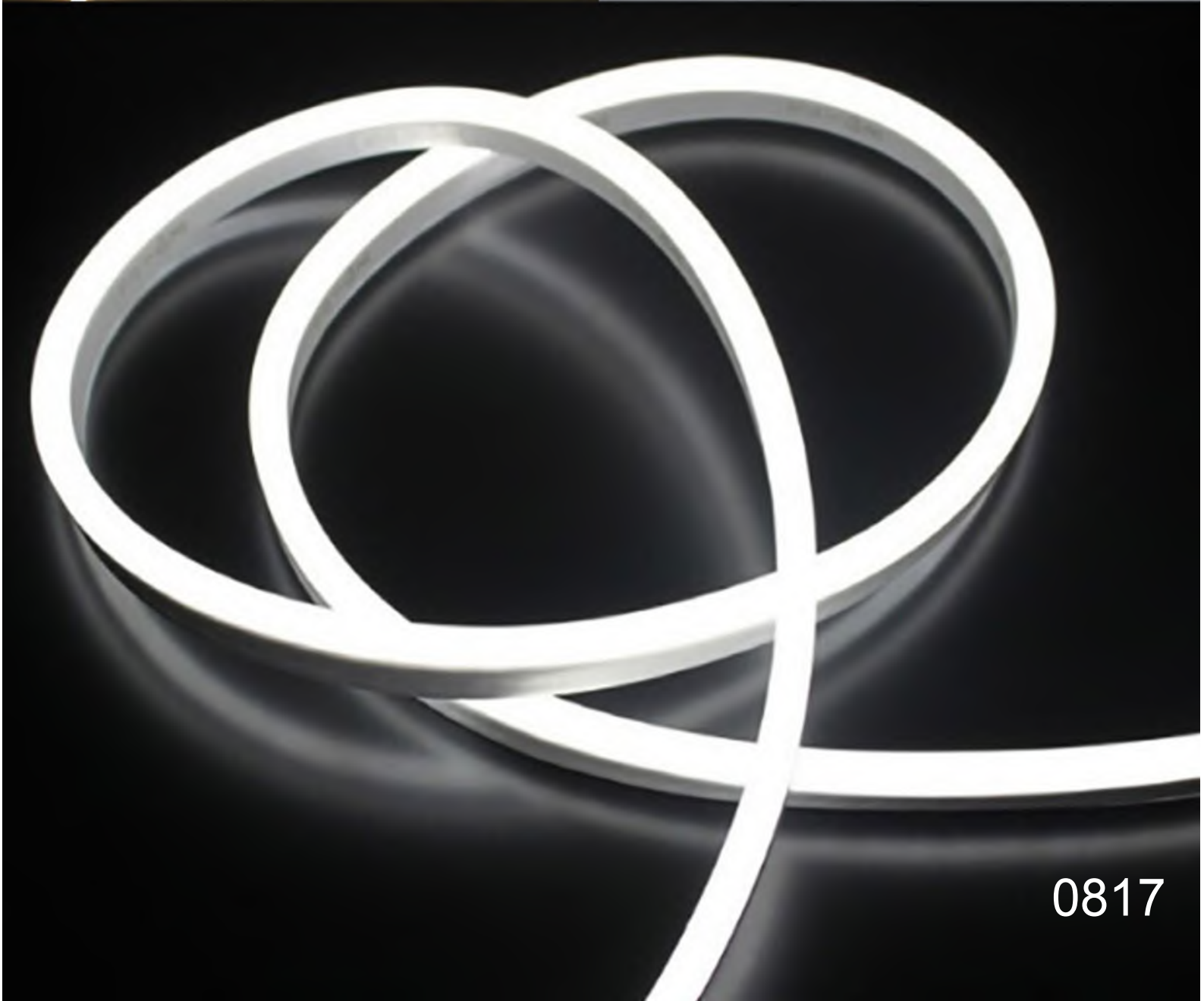




0410



0410



0817

