

Assembly and Installation Instructions for Model

500630DW

CAUTION - RISK OF FIRE

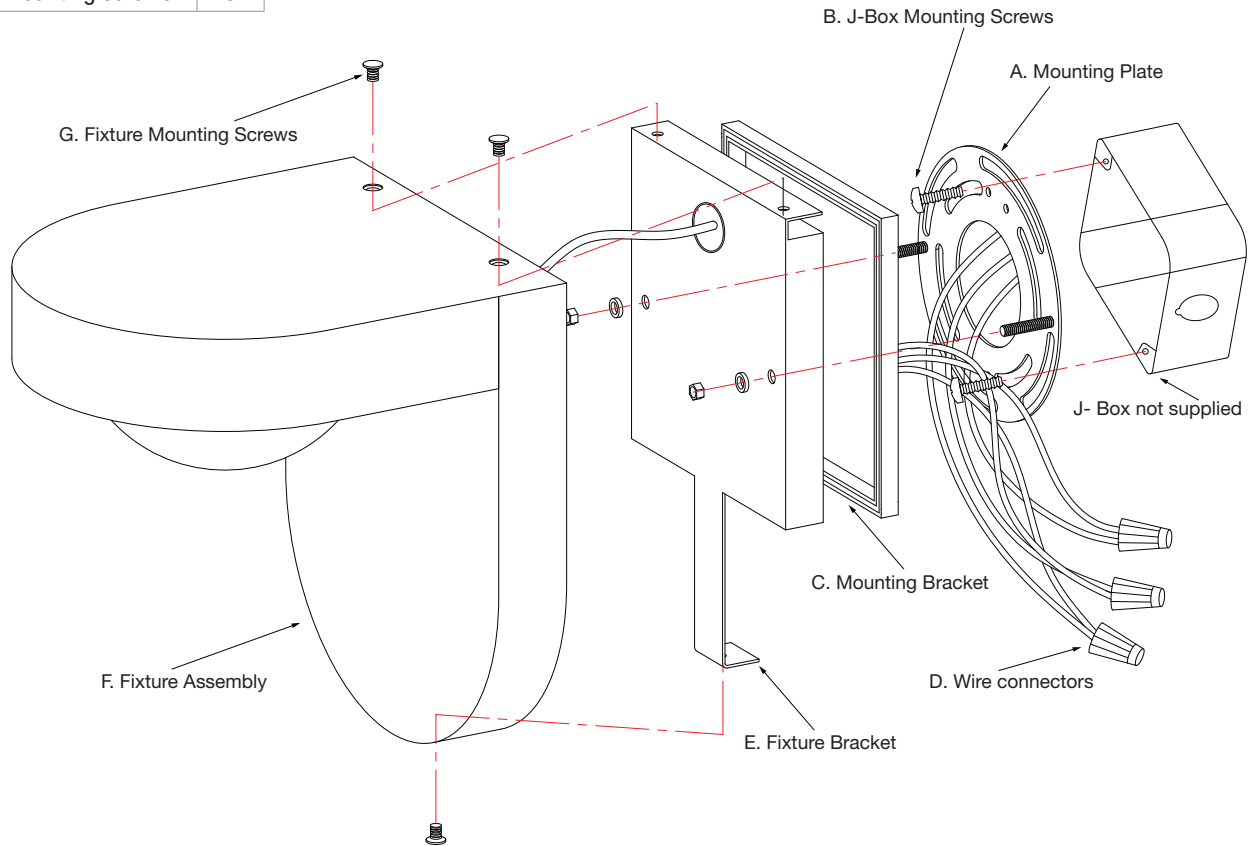
Installation of this fixture should be done by a licensed electrician or by a person familiar with local electrical codes and the construction and operation of this fixture.

Warning please make sure the electrical breaker is shut off before commencing with this installation

This fixture is certified for wall mounting only and is suitable for Wet locations

Package Contents

Part	Description	Qty	Part	Description	Qty
A	Mounting plate	1	B	Junction-Box mounting screws	2
C	Fixture mounting bracket	1	D	Wire connectors	3
E	Fixture bracket	1	F	Fixture assembly	1
G	Fixture mounting screws	3			



Installing the fixture *please ensure the electrical breaker is switched off before commencing*

- 1 Attach and **center** the Mounting Plate (**A**) to the Junction box with supplied Junction-Box mounting screws (**B**)
- 2 Attach the Mounting Bracket (**C**) to the Mounting Plate (**A**) then slide the Fixture Bracket over the two threaded bolts secure it in place with supplied washers and nuts.
- 2 Insert the wires from the Fixture through the hole on the Fixture Bracket, and connect these wires to the Supply wires using the supplied Electrical wire connectors (**D**). White supply wire to the White fixture wire, Black supply wire to Black fixture wire and the ground Bare Copper or Green wire to the Green fixture wire. Once the Electrical wire connectors are securely fastened it is recommended to tape these connectors with electrical tape.
- 3 Attach the Fixture assembly (**F**) to the Fixture Bracket (**E**) and secure with Fixture mounting screws (**G**).
- 5 Re-connect the electrical breaker and the fixture is now ready for years of trouble free use.