

### Assembly and Installation Instructions for Model

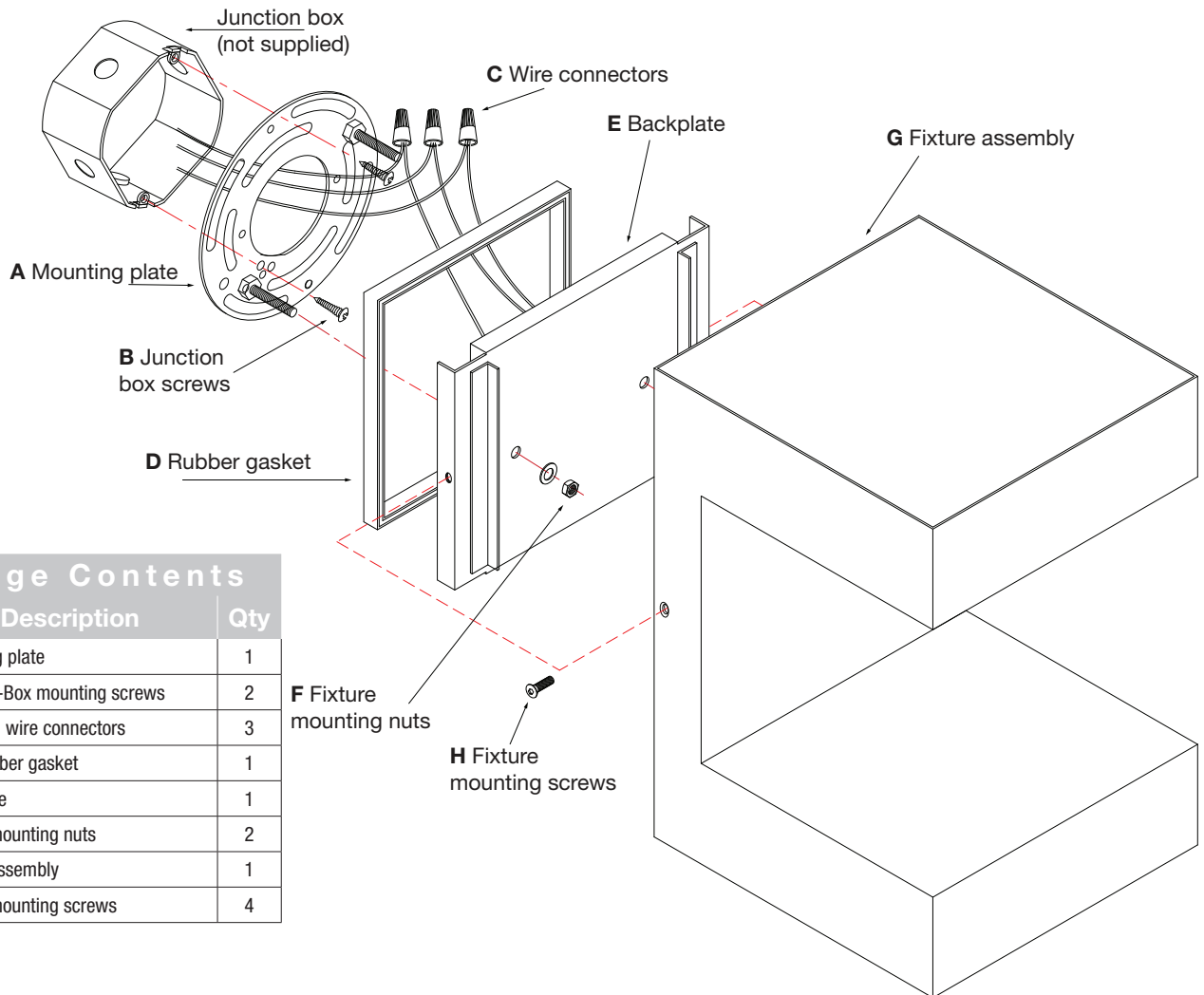
# 500060DW

## CAUTION - RISK OF FIRE

Installation of this fixture should be done by a licensed electrician or by a person familiar with local electrical codes and the construction and operation of this fixture.

**Warning** please make sure the electrical breaker is shut off before commencing with this installation  
Read and familiarize yourself with these instructions before commencing

This fixture is certified for wall mounting and is suitable for Wet locations and dimmable with most dimmers.



### Package Contents

Part	Description	Qty
A	Mounting plate	1
B	Junction-Box mounting screws	2
C	Electrical wire connectors	3
D	Base rubber gasket	1
E	Backplate	1
F	Fixture mounting nuts	2
G	Fixture assembly	1
H	Fixture mounting screws	4

### Installing the fixture *please ensure the electrical breaker is switched off before commencing*

- |   |  |   |  |
|---|--|---|--|
| 1 | Attach the supplied Mounting plate (A) with the two supplied mounting screws (B) to the Junction-Box.  | 4 | Attach the Backplate (E) to the Fixture mounting bracket (A) and secure with supplied Fixture nuts (F).    |
| 2 | Attach the supplied Base rubber gasket (D) to the back rim of the Fixture Assembly (E)   | 5 | Attach the Fixture assembly (G) to the Backplate (E) and secure with supplied Fixture mounting screws (H). |
| 3 | Connect the supply wires to the fixture wires using the supplied Electrical wire connectors (C). White supply wire to the White fixture wire, Black supply wire to Black fixture wire and the ground Bare Copper or Green wire to the Green fixture wire. Once the electrical wire connectors are securely fastened it is recommended to tape these connectors with electrical tape. | 6 | Switch on the electrical breaker switch and your new fixture is ready for many years of trouble free use   |