



Assembly and Installation Instructions for Model

20073WV

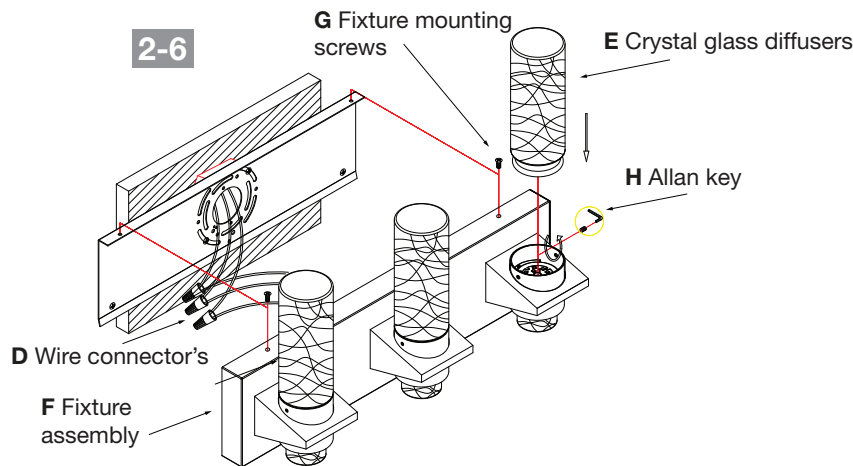
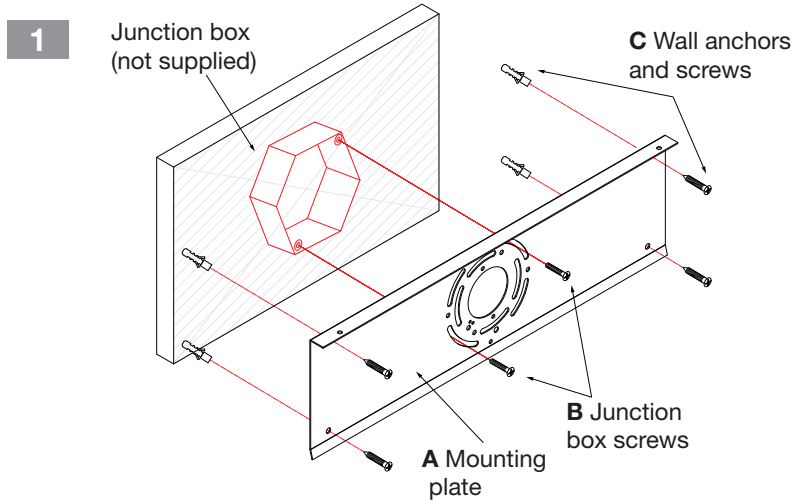
CAUTION - RISK OF FIRE

Installation of this fixture should be done by a licensed electrician or by a person familiar with local electrical codes and the construction and operation of this fixture.

Warning please make sure the electrical breaker is shut off before commencing with this installation

This fixture is certified for wall mounting only and is suitable for Damp locations

Package Contents		
Part	Description	Qty
A	Mounting plate	1
B	Junction-Box mounting screws	2
C	Wall anchors and screws	4
D	Wire connector's	3
E	Crystal glass diffusers	3
F	Fixture assembly	1
G	Fixture mounting screws	2
H	Allan key	1



Installing the fixture *please ensure the electrical breaker is switched off before commencing*

- 1 Attach and **center** the Mounting plate to the Junction box with supplied Junction-Box mounting screws (B) and mark the location for the Wall anchors (C), remove the Mounting plate (A) and drill four holes for the Wall anchors (C). Reattach the Mounting plate (A) and secure.
- 2 Connect the Supply wires to the Fixture wires using the supplied Electrical wire connectors (D). White supply wire to the White fixture wire, Black supply wire to Black fixture wire and the ground Bare Copper or Green wire to the Green fixture wire. Once the Electrical wire connectors are securely fastened it is recommended to tape these connectors with electrical tape.
- 3 Attach the Fixture assembly (F) to the Mounting plate (A) by gently clipping the base of the Fixture assembly to the lip at the base of the Mounting plate and secure with Fixture mounting screws (G).
- 4 Using the supplied Allan key (H), loosen the Allan screws on the diffuser sockets and Insert the Crystal glass diffusers into the sockets and secure in place by gently tighten the Allan screw.
- 5 Re-connect the electrical breaker and the fixture is now ready for years of trouble free use.

