



### Assembly and Installation Instructions for Model

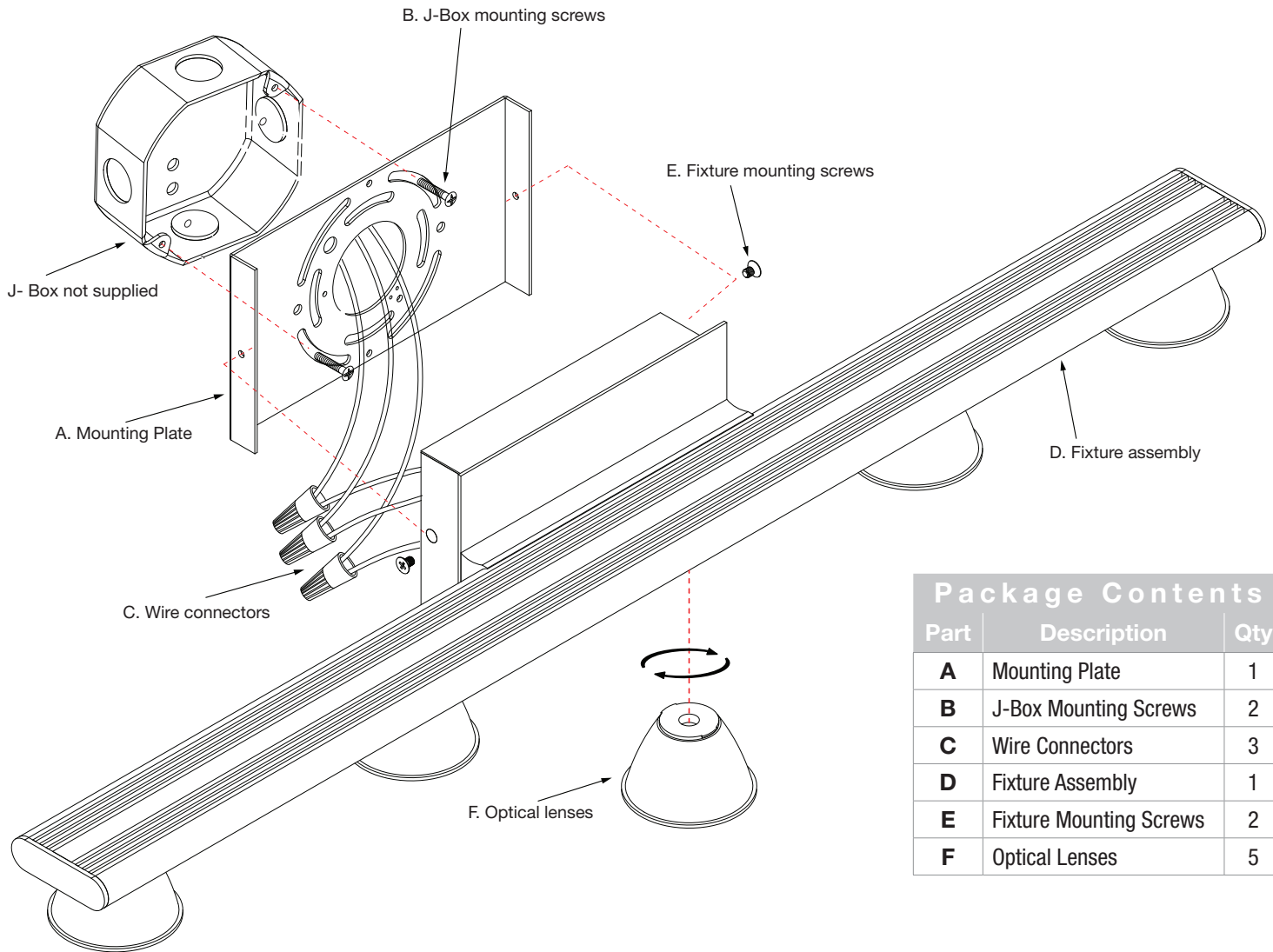
# 20066WV

## CAUTION - RISK OF FIRE

Installation of this fixture should be done by a licensed electrician or by a person familiar with local electrical codes and the construction and operation of this fixture.

**Warning** please make sure the electrical breaker is shut off before commencing with this installation

This fixture is certified for wall mounting only and is suitable for Damp locations



Package Contents		
Part	Description	Qty
<b>A</b>	Mounting Plate	1
<b>B</b>	J-Box Mounting Screws	2
<b>C</b>	Wire Connectors	3
<b>D</b>	Fixture Assembly	1
<b>E</b>	Fixture Mounting Screws	2
<b>F</b>	Optical Lenses	5

### Installing the fixture *please ensure the electrical breaker is switched off before commencing*

- 1 Attach and **center** the Mounting Plate (**A**) to the Junction box with supplied Junction-Box mounting screws (**B**)
- 2 Connect the Fixture wires to the Supply wires using the supplied Electrical wire connectors (**D**). White supply wire to the White fixture wire, Black supply wire to the Black fixture wire and the ground Bare Copper or Green wire to the Green fixture wire. Once the Electrical wire connectors are securely fastened it is recommended to tape these connectors with electrical tape.
- 3 Attach the Fixture assembly (**D**) to the Mounting Plate (**A**) and secure with Fixture mounting screws (**E**).
- 4 Insert the Optical Lenses (**F**) over the LED modules and gently twist and lock into place.
- 5 Re-connect the electrical breaker and the fixture is now ready for years of trouble free use.

