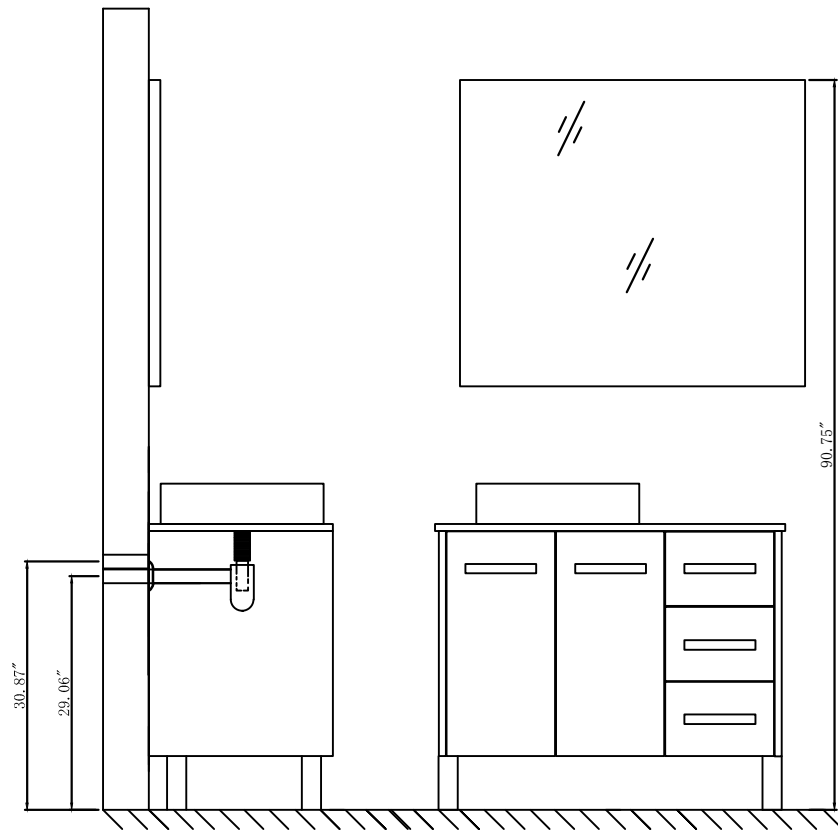


Prior to installation, please check the items you have received against the packing list. Report any missing items to your local dealer immediately.

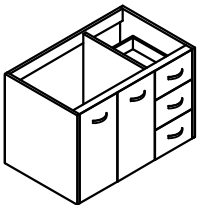
Protect all surfaces from sharp objects, high heat sources, direct prolonged sunlight and chemical hazards.

**Professional installation is recommended.**

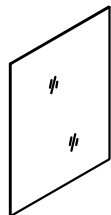


**PARTS LIST** (may differ depending on purchase)

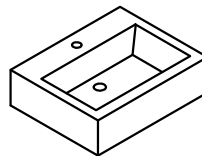
Cabinet



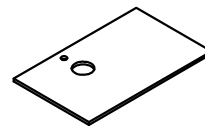
Mirror



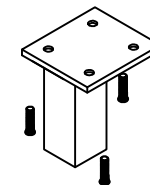
Basin



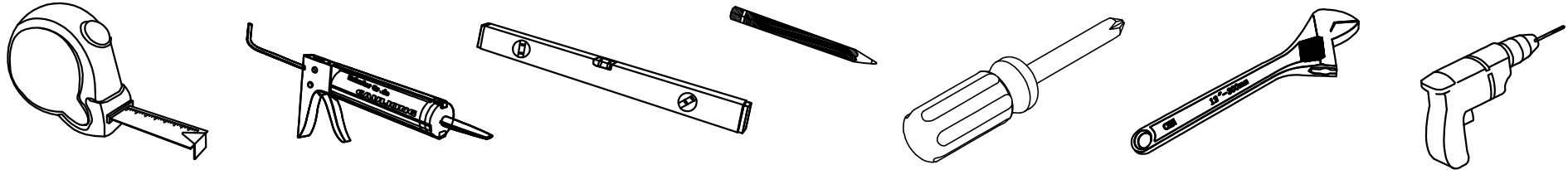
Top



Metal Bracket



### REQUIRED TOOLS



### DRAWER REMOVAL



#### REMOVAL

1. Pull tabs toward center
2. Lift and pull drawer out

#### RE-INSTALL

1. Align drawer hole with slider stud
2. Push tabs back in to secure

### DOOR ADJUSTMENT



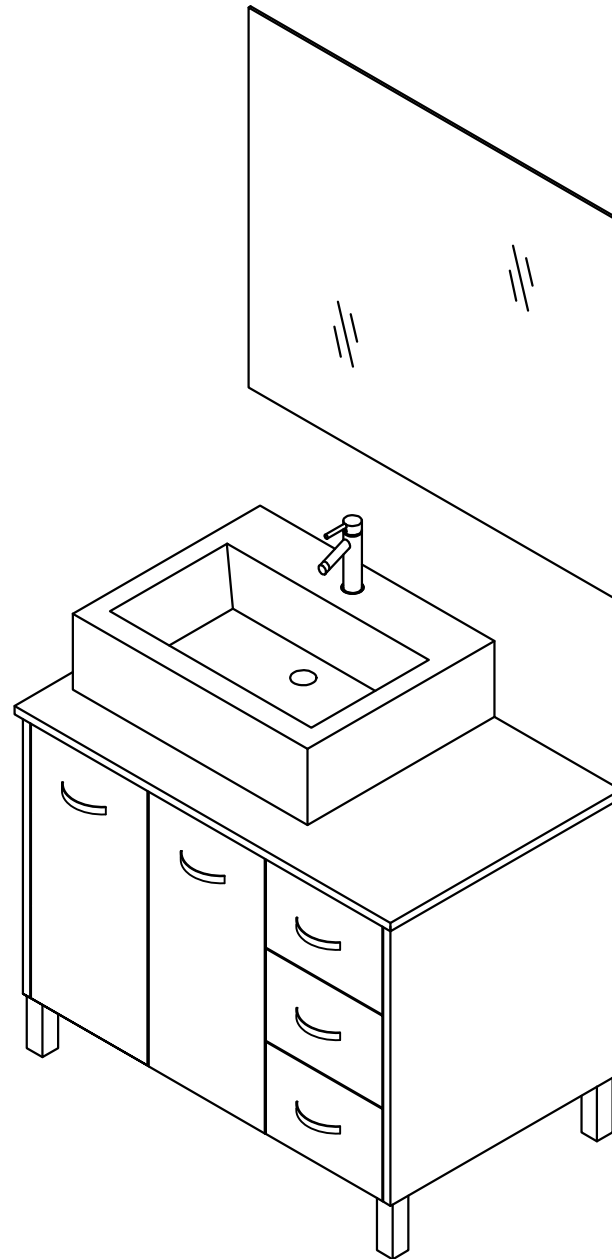
Adjusts the door vertically



Adjusts the door horizontally

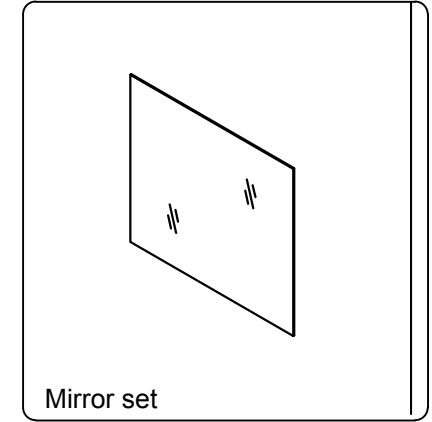
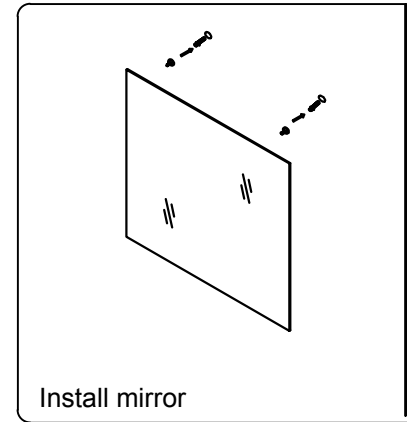
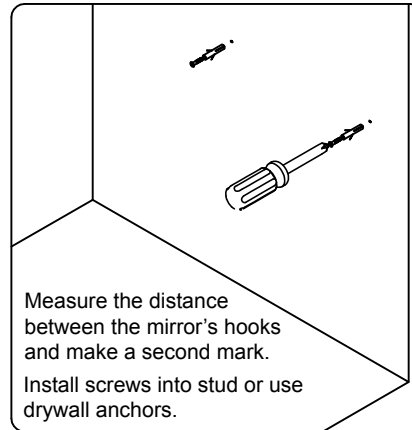
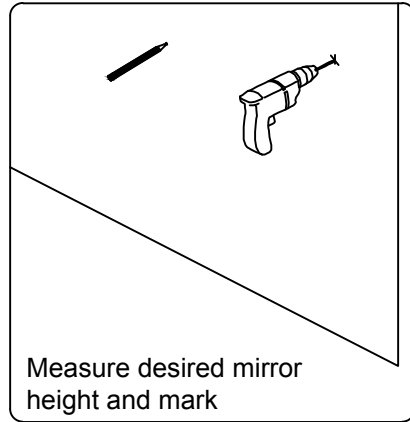


Adjusts the door forward and backwards



**Full Set**

### Mirror Installation



### Cabinet Installation

