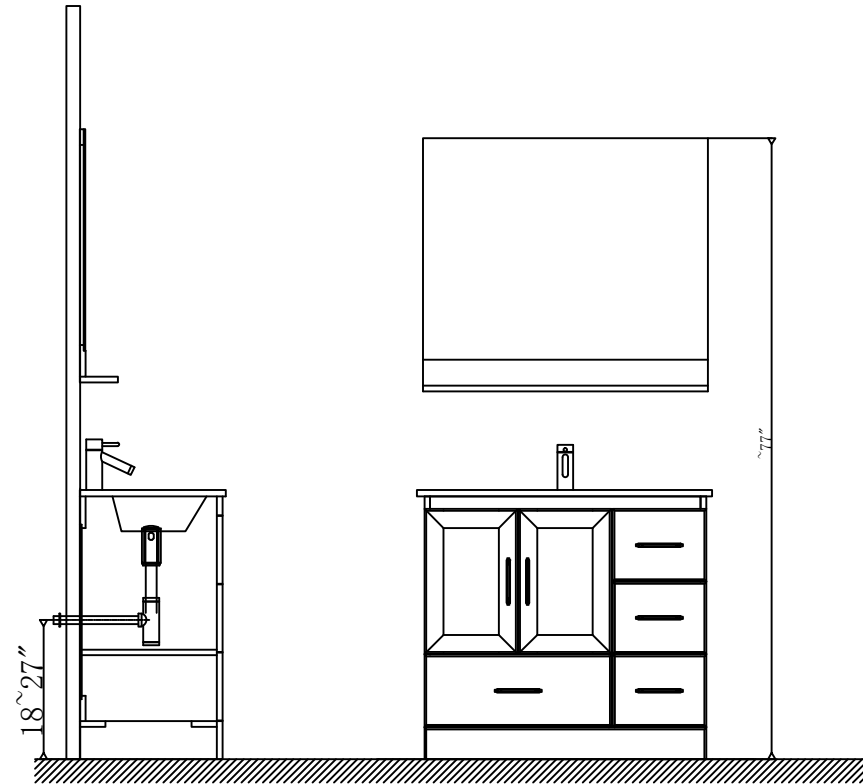


Prior to installation, please check the items you have received against the packing list. Report any missing items to your local dealer immediately.

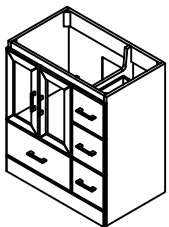
Protect all surfaces from sharp objects, high heat sources, direct prolonged sunlight and chemical hazards.

Professional installation is recommended.

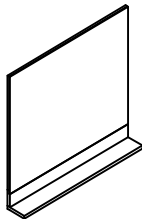


PARTS LIST (may differ depending on purchase)

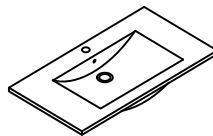
Cabinet



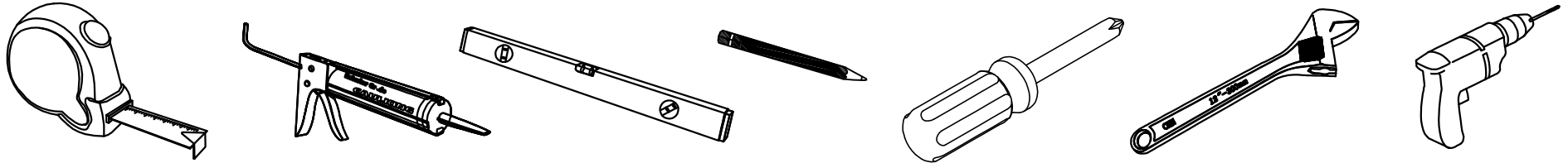
Mirror



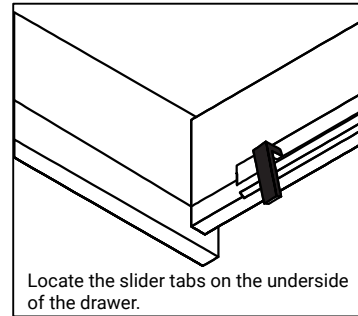
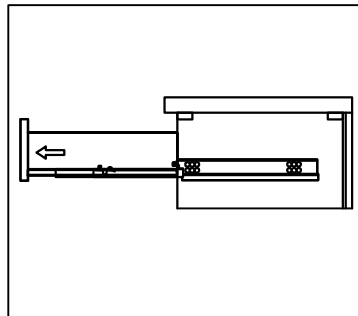
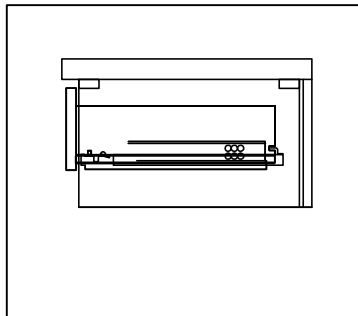
Basin



REQUIRED TOOLS



DRAWER REMOVAL



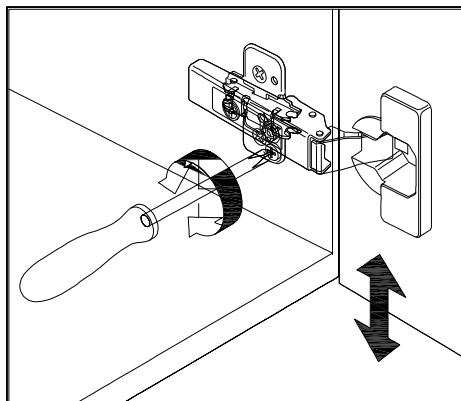
REMOVAL

1. Pull tabs toward center
2. Lift and pull drawer out

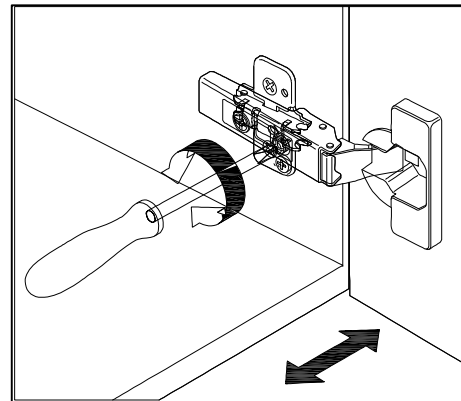
RE-INSTALL

1. Align drawer hole with slider stud
2. Push tabs back in to secure

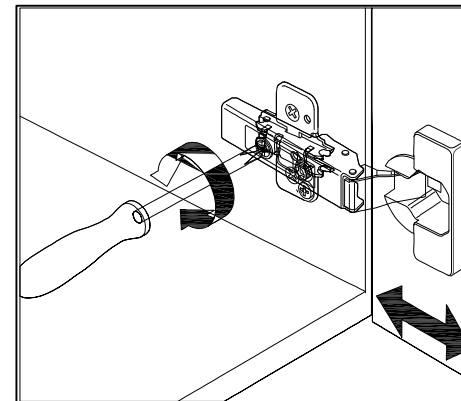
DOOR ADJUSTMENT



Adjusts the door vertically

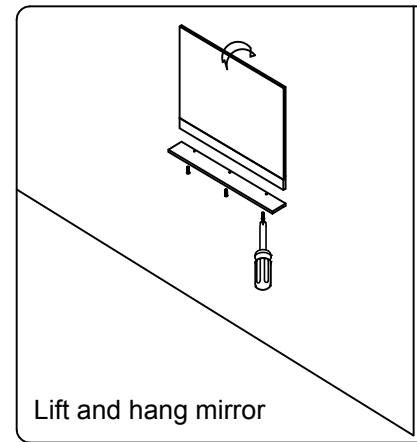
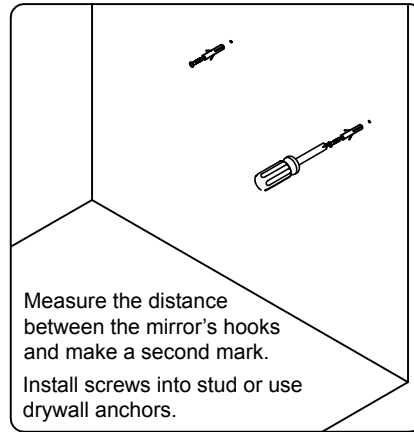
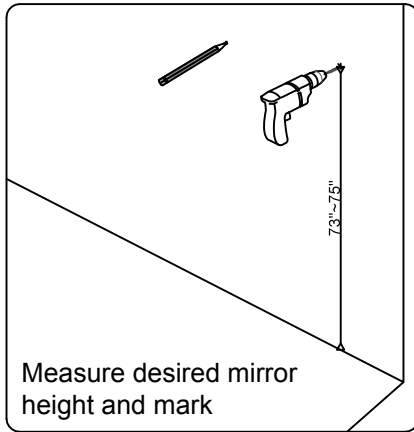


Adjusts the door horizontally



Adjusts the door forward and backwards

Mirror Installation



Top Installation

