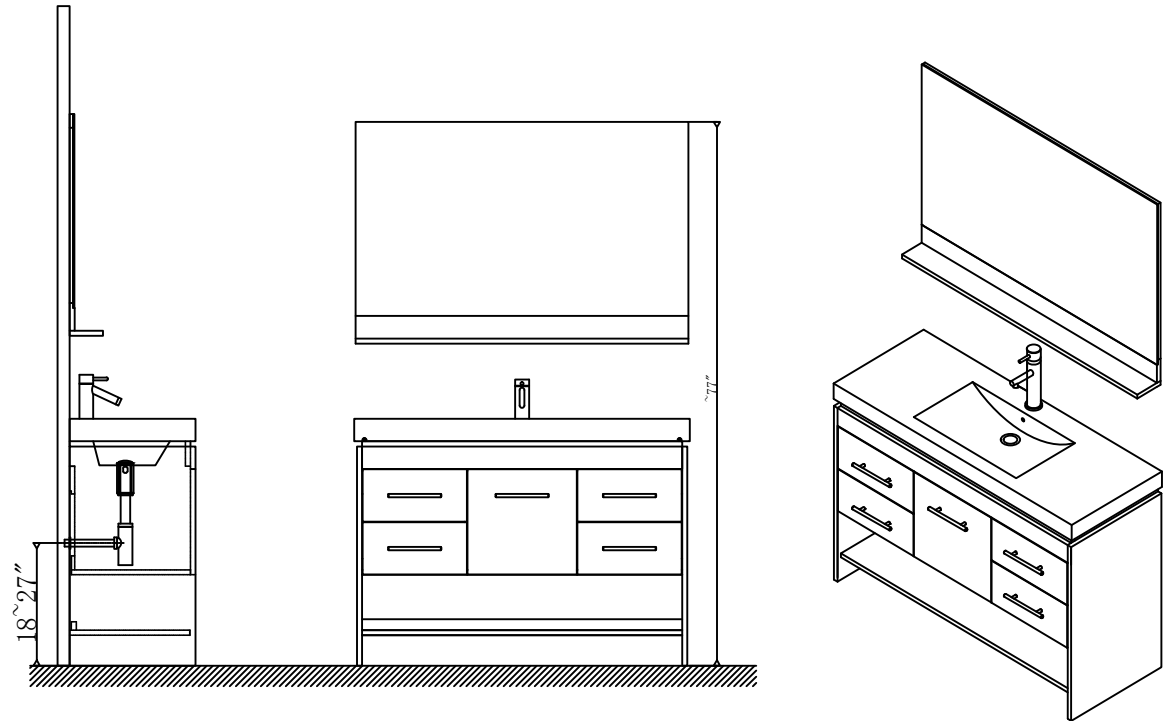


Prior to installation, please check the items you have received against the packing list. Report any missing items to your local dealer immediately.

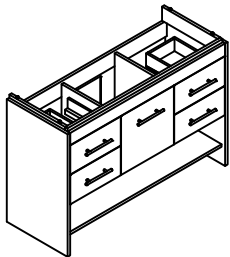
Protect all surfaces from sharp objects, high heat sources, direct prolonged sunlight and chemical hazards.

**Professional installation is recommended.**

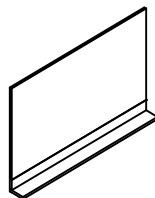


### PARTS LIST (may differ depending on purchase)

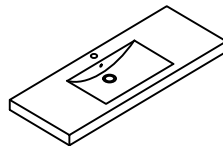
Cabinet



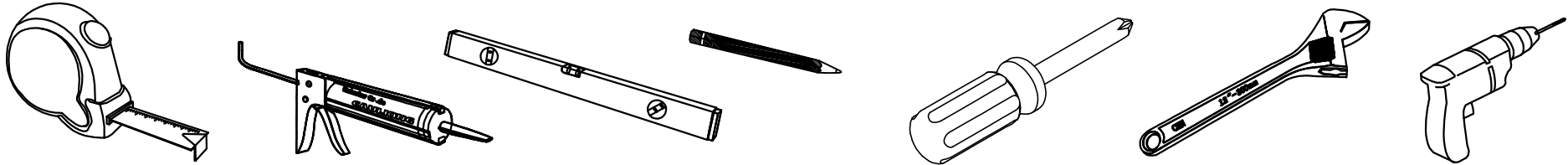
Mirror



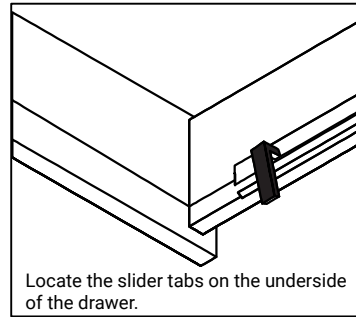
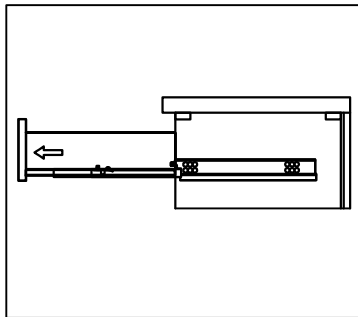
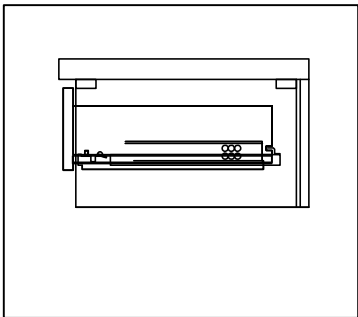
Basin



### REQUIRED TOOLS



### DRAWER REMOVAL



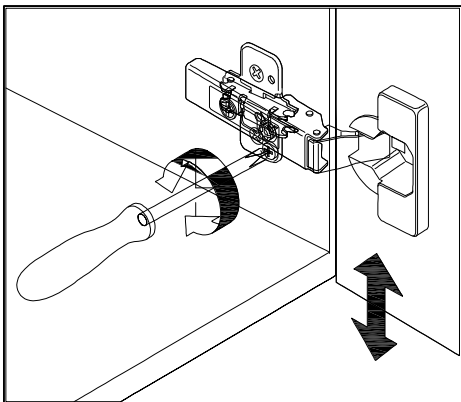
#### REMOVAL

1. Pull tabs toward center
2. Lift and pull drawer out

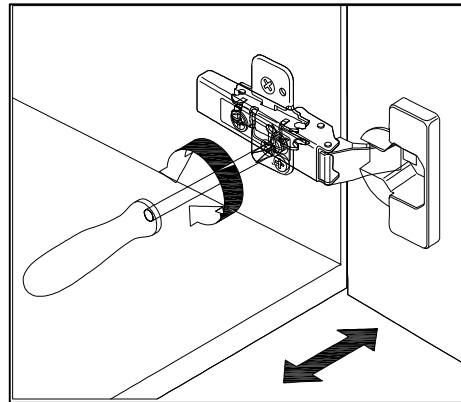
#### RE-INSTALL

1. Align drawer hole with slider stud
2. Push tabs back in to secure

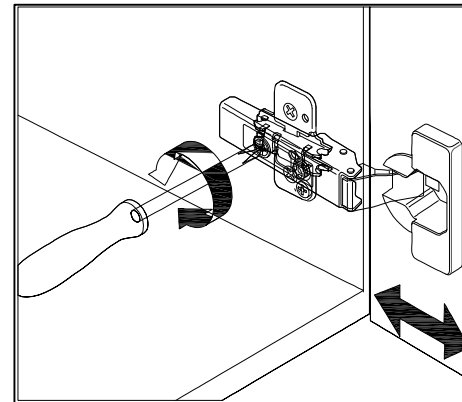
### DOOR ADJUSTMENT



Adjusts the door vertically

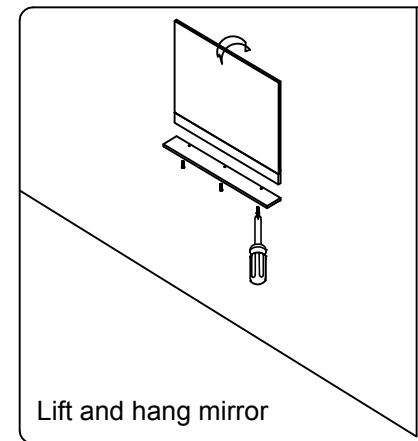
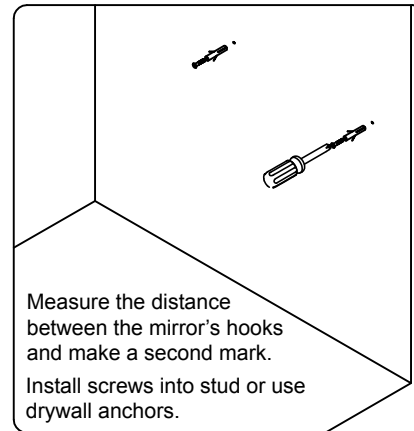
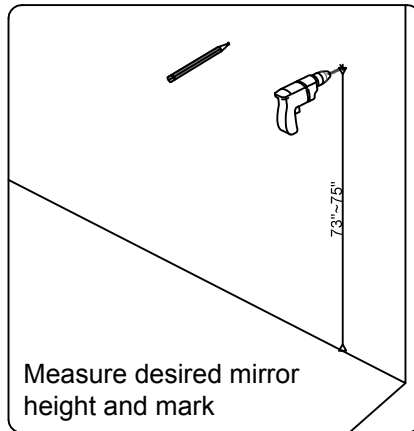


Adjusts the door horizontally



Adjusts the door forward and backwards

### Mirror Installation



### Top Installation

