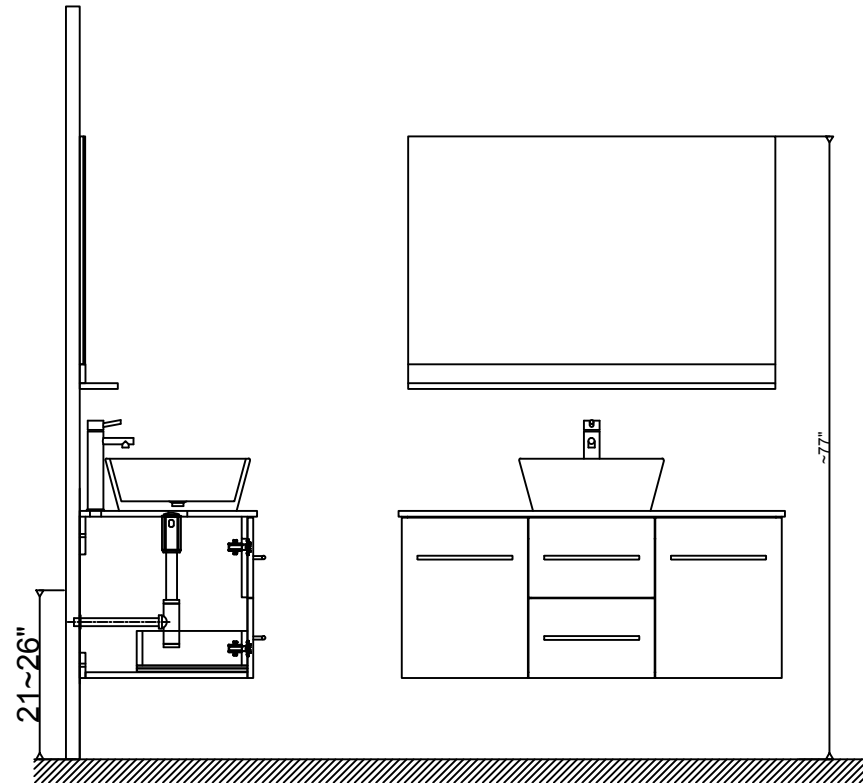


Prior to installation, please check the items you have received against the packing list. Report any missing items to your local dealer immediately.

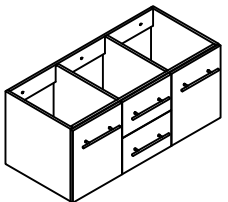
Protect all surfaces from sharp objects, high heat sources, direct prolonged sunlight and chemical hazards.

Professional installation is recommended.

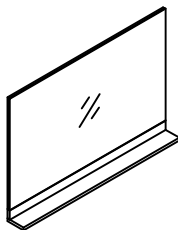


PARTS LIST (may differ depending on purchase)

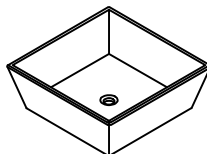
Cabinet



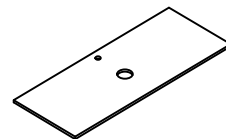
Mirror



Basin



Top



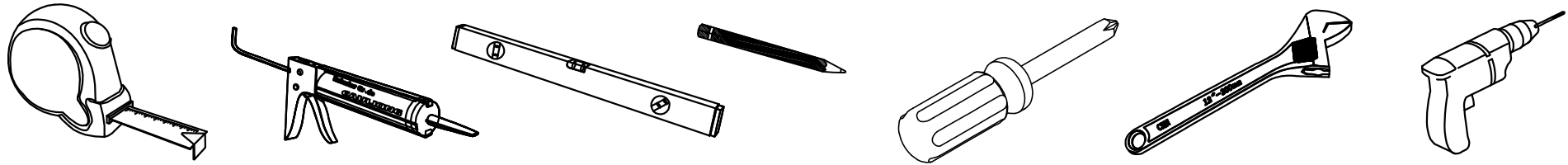
Screws



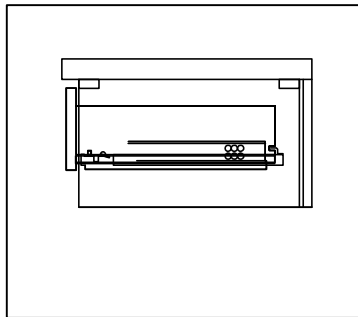
Install Screws



REQUIRED TOOLS



DRAWER REMOVAL



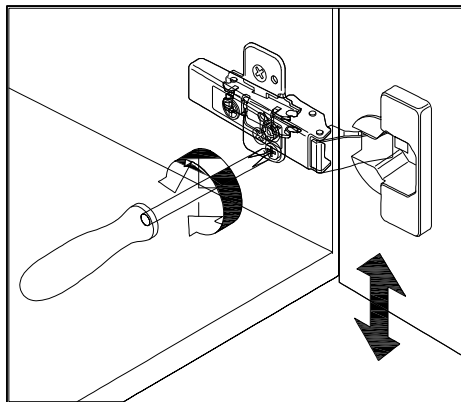
REMOVAL

1. Pull tabs toward center
2. Lift and pull drawer out

RE-INSTALL

1. Align drawer hole with slider stud
2. Push tabs back in to secure

DOOR ADJUSTMENT



Adjusts the door vertically

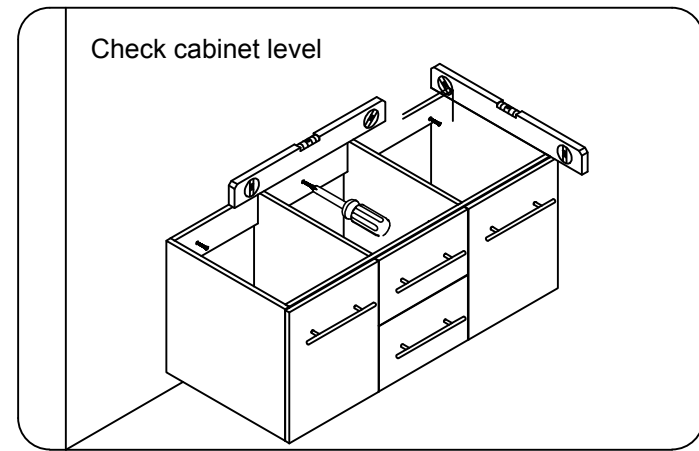
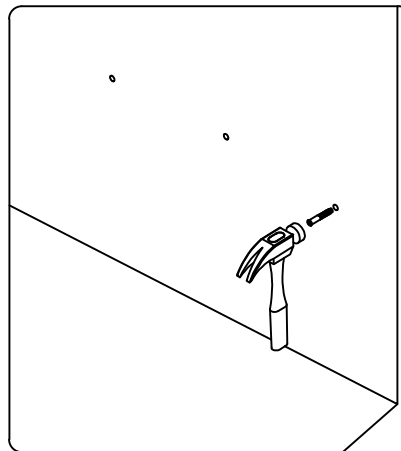
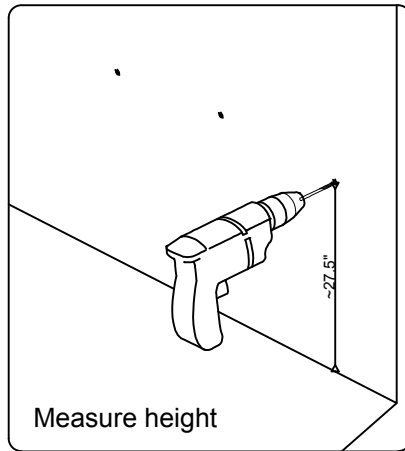


Adjusts the door horizontally

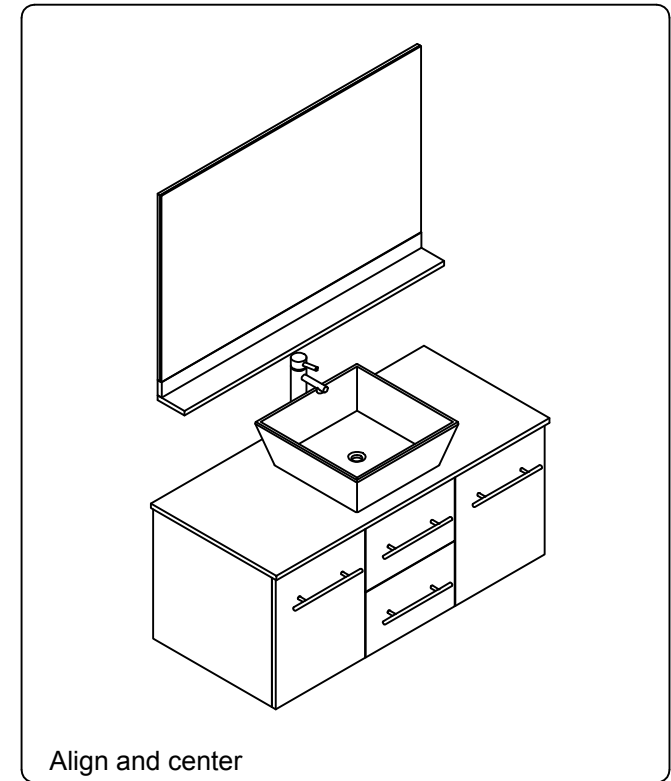
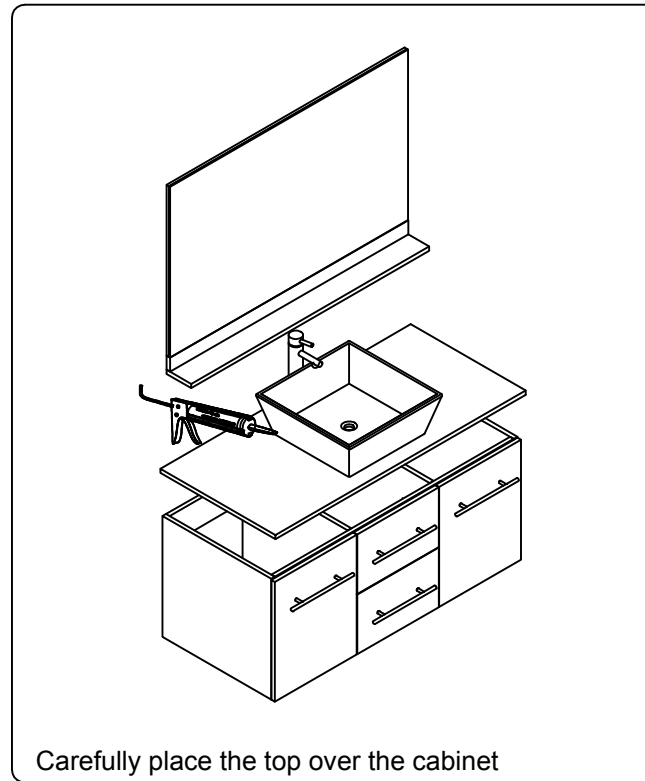
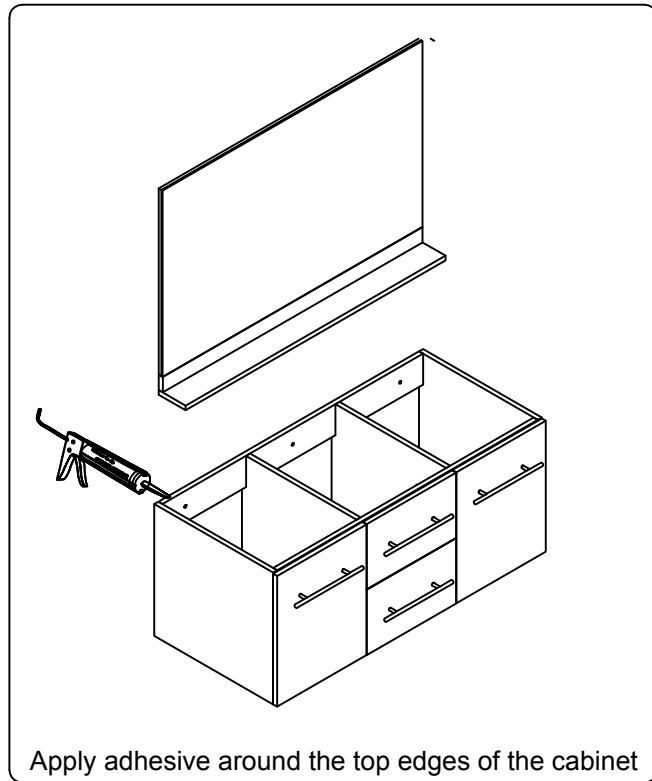


Adjusts the door forward and backwards

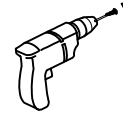
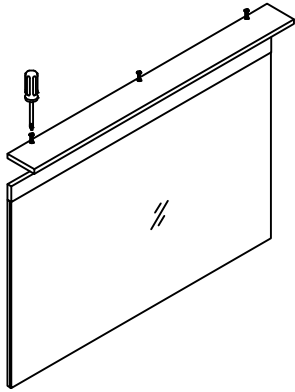
Cabinet Installation



Top Installation



Mirror Installation

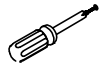


~71"

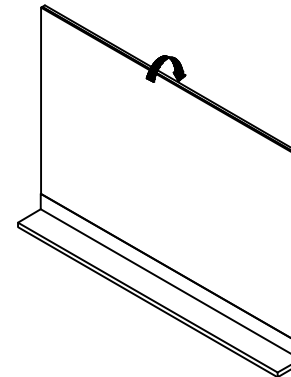
Measure desired mirror height and mark



Measure the distance between the mirror's hooks and make a second mark.



Install screws into stud or use drywall anchors.



Lift and hang mirror