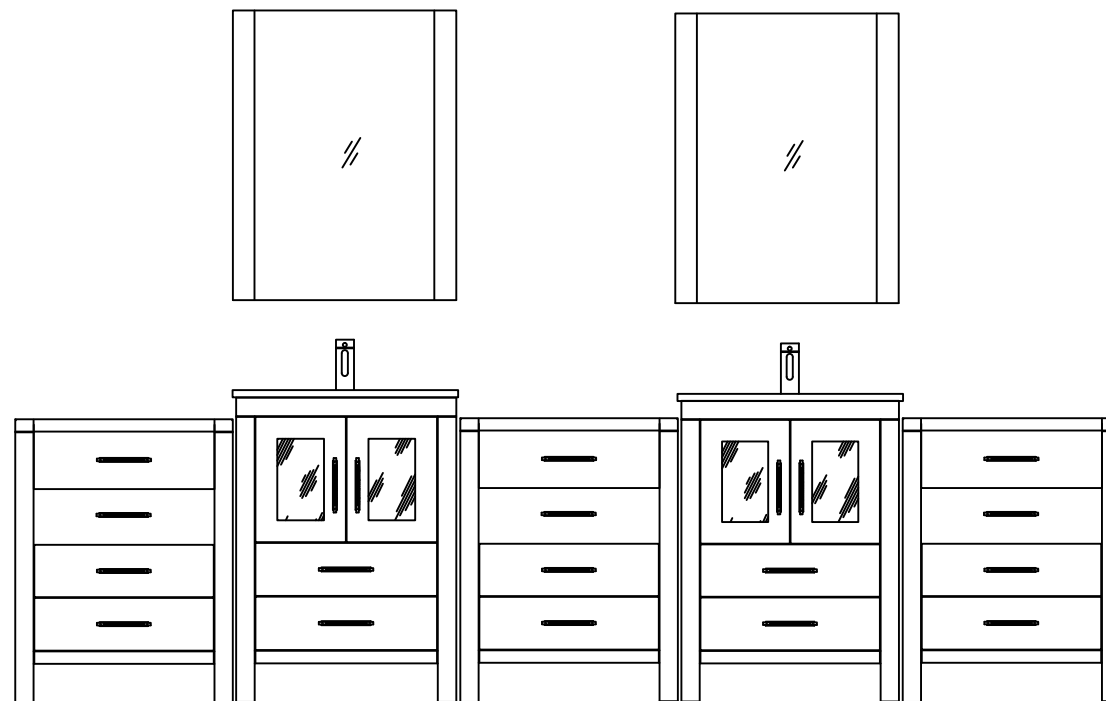


This model consists of individual cabinets to make the complete set.

Prior to installation, please check the items you have received against the packing list. Report any missing items to your local dealer immediately.

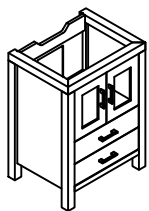
Protect all surfaces from sharp objects, high heat sources, direct prolonged sunlight and chemical hazards.

Professional installation is recommended.



PARTS LIST (may differ depending on purchase)

Cabinet

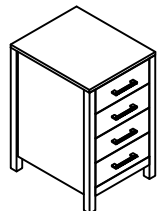


KS-70028

Mirror

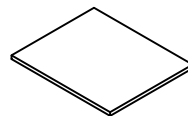


Side Cabinet

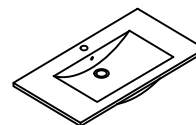


KSC-700

Side Top

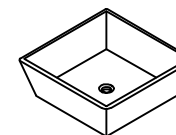


Basin Integrated

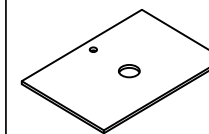


OR

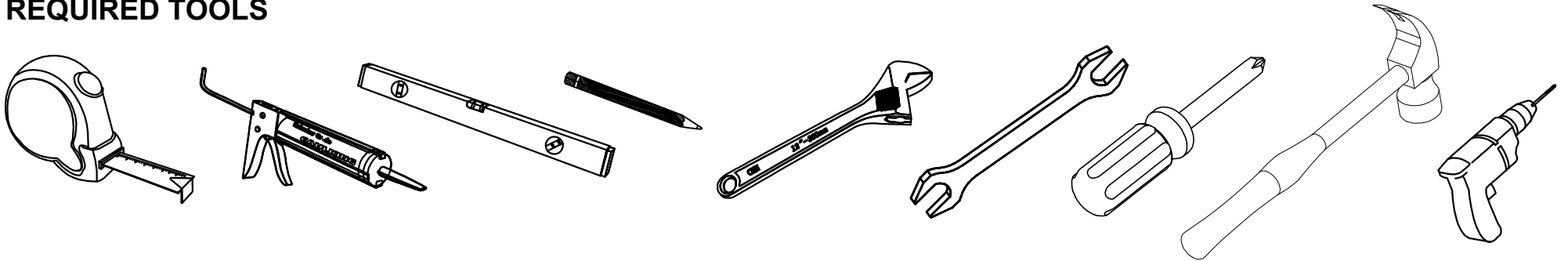
Basin Vessel



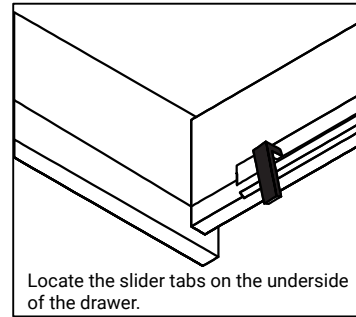
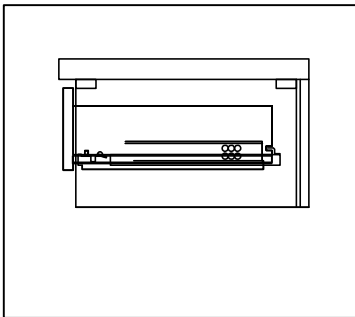
Top Vessel



REQUIRED TOOLS



DRAWER REMOVAL



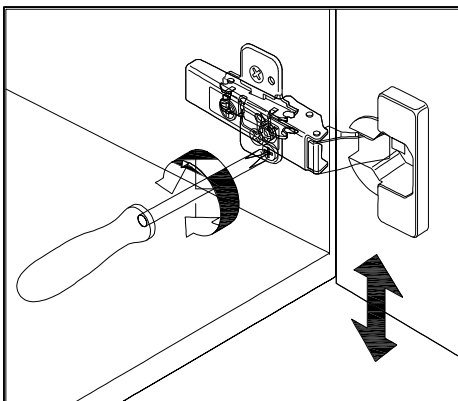
REMOVAL

1. Pull tabs toward center
2. Lift and pull drawer out

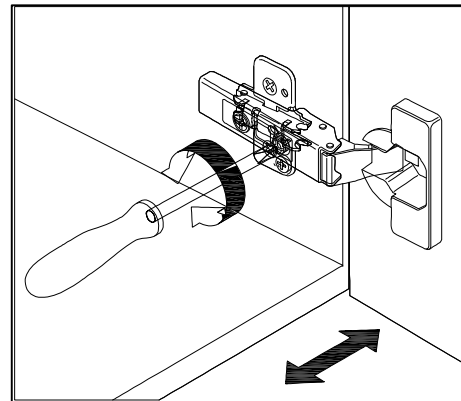
RE-INSTALL

1. Align drawer hole with slider stud
2. Push tabs back in to secure

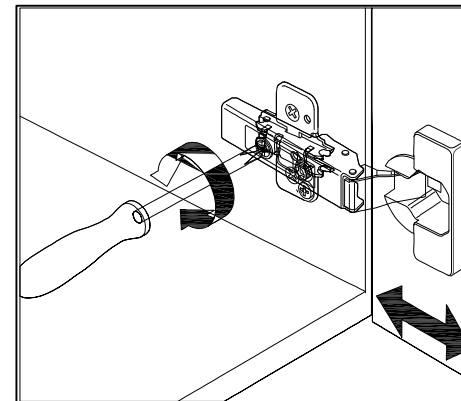
DOOR ADJUSTMENT



Adjusts the door vertically

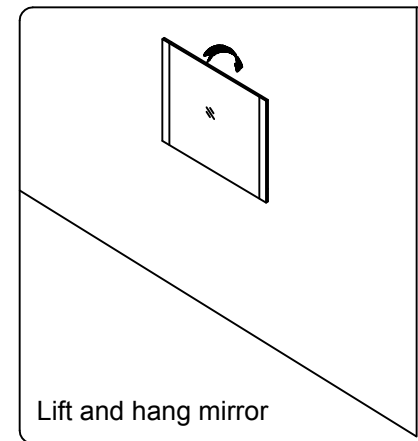
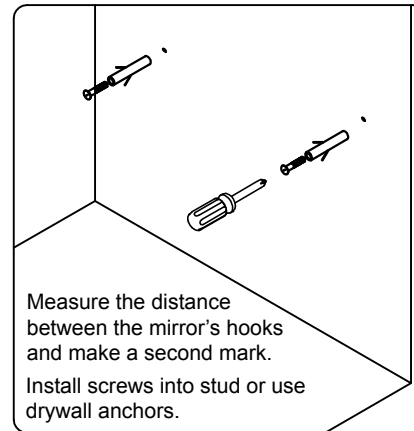
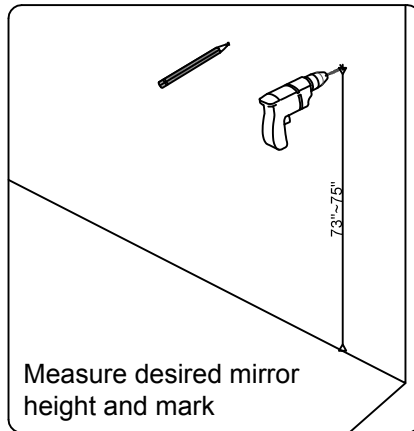


Adjusts the door horizontally

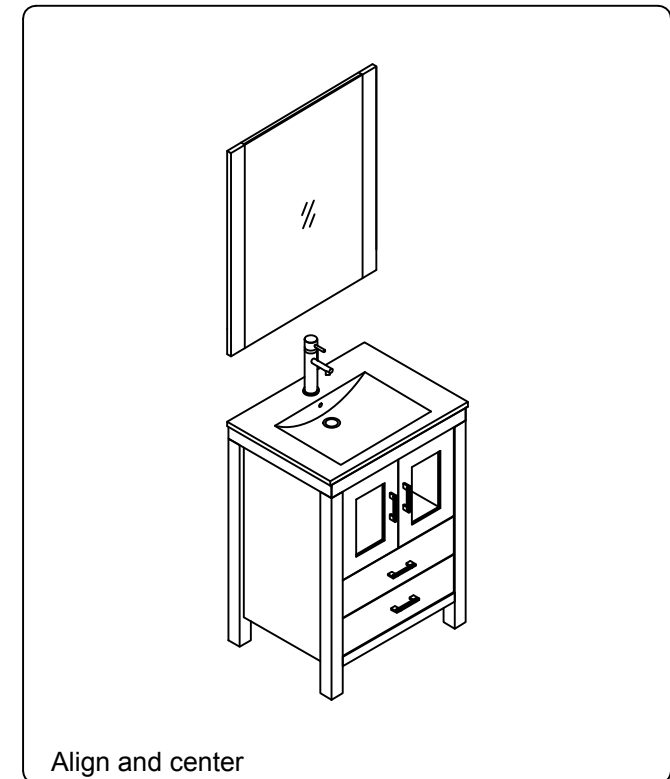
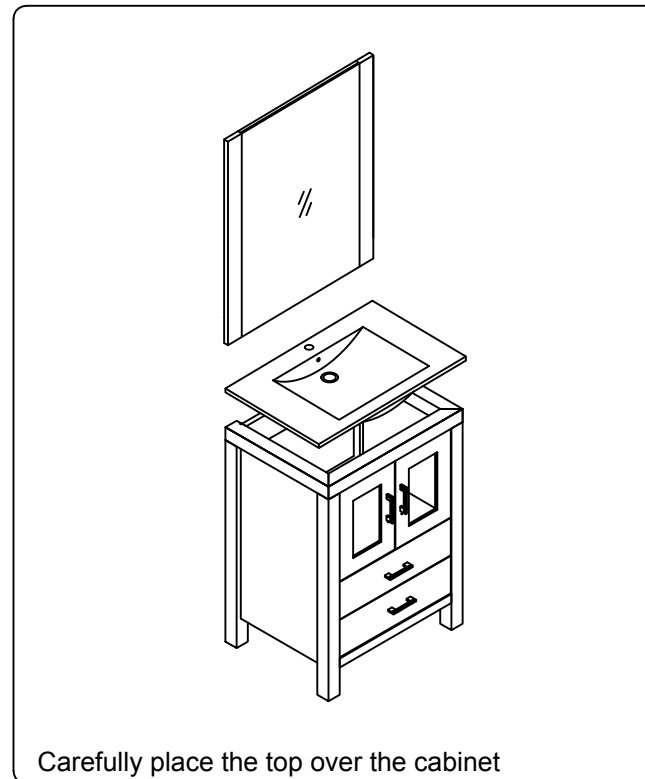
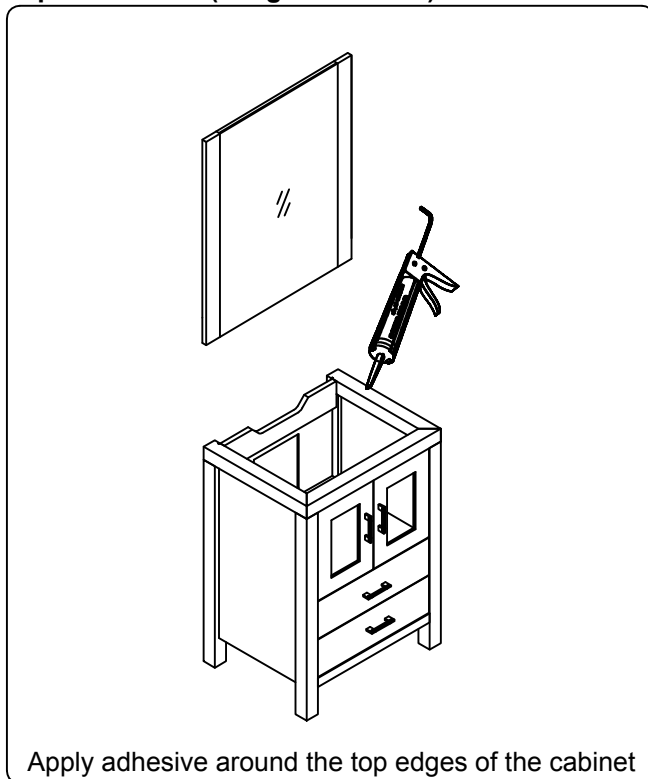


Adjusts the door forward and backwards

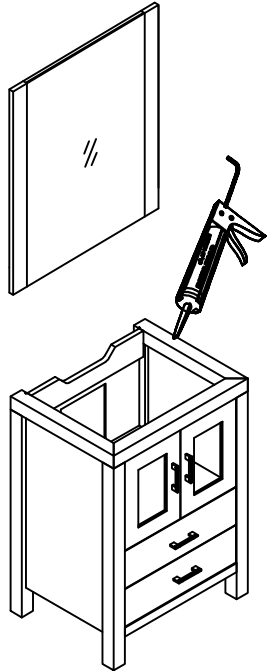
Mirror Installation



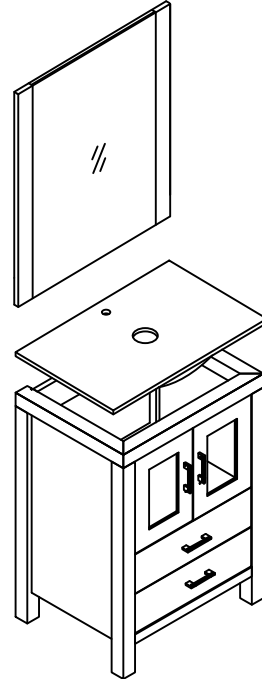
Top Installation (Integrated Basin)



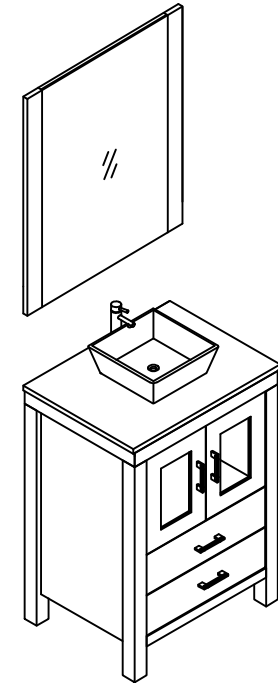
Top Installation (Vessel Basin)



Apply adhesive around the top edges of the cabinet

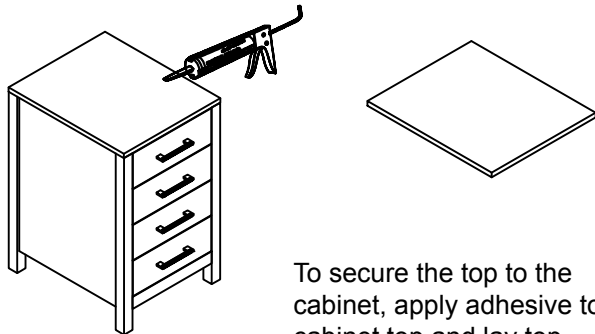


Carefully place the top over the cabinet



Align and center

Side Cabinet Installation



To secure the top to the cabinet, apply adhesive to cabinet top and lay top.