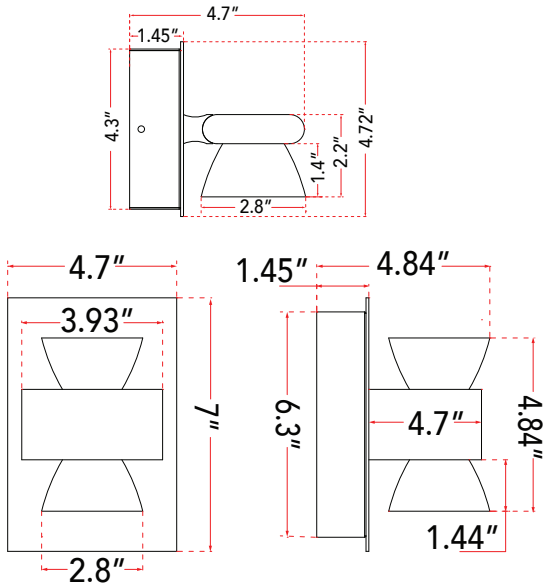




**FAMILY NAME** 20063VW-BN      **2 light Up/Down Light**  
**ABRA MODEL** Jet                      **UPC** 00810035190382



FIXTURE MATERIAL				FIXTURE DIMENSIONS IN INCHES										
Frame Material	Finishes Available	Diffuser Type	Diffuser Finish	Diameter	Height	o.a.h	Width	Length	Ext	Weight	ADA	Location	Rating	Compliance
Steel	BN-Brushed Nickel	Lensed Acrylic	Clear Ribbed		6.3	7	4.7		4.84			Wall Mount only	Damp Location	cETL
LAMPING										Compatible Dimmers		Junction Box Type		SUPPLIED
Lamp Type	Lamp qty	Wattage	Max Wattage	Base	Kelvin	CRI	Initial Lumen's	Delivered Lumen's	Voltage			Standard 4 x 4 Octagon Box		
LED	2	6.5w	70w	Solid State Module	3000k	90+	5950	4462.5 estimated	120v			SPECIAL NOTES		

**ABRA LIGHTING**  
NEOTERIC DESIGN

4575 Carter Court Chino California 91710  
 Phone: 949-940-1155 • Toll Free 800-295-7121  
[www.abralighting.com](http://www.abralighting.com)

<b>Project Name</b>			
<b>Date</b>		<b>Type</b>	