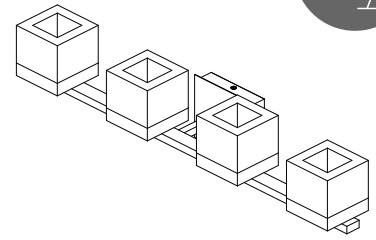




Assembly and Installation Instructions for Model's

20024WV



CAUTION - RISK OF FIRE

Installation of this fixture should be done by a licensed electrician or by a person familiar with local electrical codes and the construction and operation of this fixture.

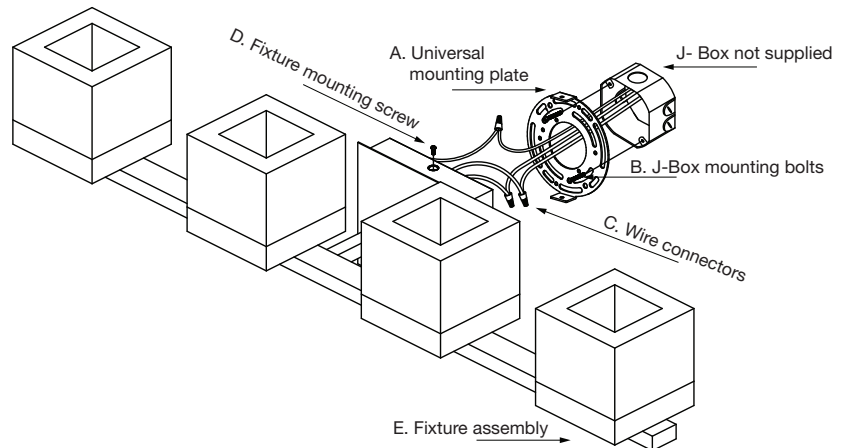
Warning please make sure the electrical breaker is shut off before commencing with this installation

Read and familiarize yourself with these instructions before commencing

This fixture is certified for wall mounting only and is suitable for Damp locations and dimmable with a ELV Dimmer

The fixture uses a 12v D/C LED panel which is supplied with matching driver.

| Package Contents | | |
|------------------|--------------------------|-----|
| Part | Description | Qty |
| A | Universal mounting plate | 1 |
| B | J-Box mounting bolts | 2 |
| C | Wire connectors | 3 |
| D | Fixture mounting screws | 2 |
| E | Fixture assembly | 1 |
| F | Allen wrench | 1 |



Installing the fixture *please ensure the electrical breaker is switched off before commencing*

| | | |
|---|--|--|
| 1 | Attach the supplied Universal mounting plate (A) with the two supplied mounting bolts (B) to a Junction-Box, not supplied, making sure that the two tabs for mounting the fixture are centered on the Junction Box this ensures the fixture is level when attaching. | |
| 2 | Connect the Supply wires to the Fixture wires using the supplied Electrical wire connectors (C). White supply wire to the White fixture wire, Black supply wire to Black fixture wire and the ground Bare Copper or Green wire to the Green fixture wire. Once the Electrical wire connectors are securely fastened it is recommended to tape these connectors with electrical tape. | |
| 3 | Attach fixture assembly (E) to the Universal mounting plate (A) secure with the supplied screws (D) | |
| 5 | The square Acrylic shades are factory assembled, if any become loose or need to be removed, there are two allen screws located at the rear of each Acrylic support base. These can be loosened or tightened with the allen wrench provided. | |
| 6 | Switch on the electrical breaker switch and your new fixture is ready for many years of trouble free use | |

