

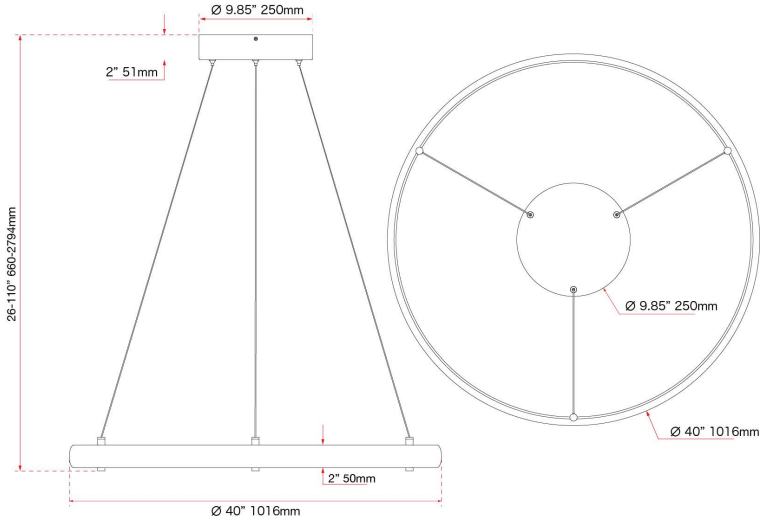


**ABRA MODEL** 10009PN-TS

**Large Ring Pendant**

**FAMILY NAME** Sling

**UPC** 00810035191518



FIXTURE MATERIAL				FIXTURE DIMENSIONS IN INCHES										
Frame Material	Finishes Available	Diffuser Type	Diffuser Finish	Diameter	Height	o.a.h	Width	Length	Ext	Weight	ADA	Location	Rating	Compliance
Aluminum	TS-Titanium Silver	Acrylic	White	40	2	12 to 120	0.5	12				Ceiling Mount only	Damp Location	cETL
LAMPING										Compatible Dimmers		Junction Box Type		SUPPLIED
Lamp Type	Lamp qty	Wattage	Max Wattage	Base	Kelvin	CRI	Initial Lumen's	Delivered Lumen's	Voltage	ELV		Standard 4 x 4 Octagon Box		10ft Cable
LED	1	76.5w	76.5w	Solid State Module	3000k	90+	6502.5	4876.875 estimated	120v	SPECIAL NOTES				

**ABRA LIGHTING**  
NEOTERIC DESIGN

4575 Carter Court Chino California 91710  
Phone: 949-940-1155 • Toll Free 800-295-7121  
www.abralighting.com

<b>Project Name</b>				
<b>Date</b>		<b>Type</b>		