

CC23 AC Wireless Chime / Pager User Manual

Product profile:

Thank you very much for purchasing our wireless door chime / pager / Doorbell system. This receiver is powered by AC plug. It can be paired with call button, door open sensor, push button to form a small standalone system, no network required, no cost. This product is mainly suitable for home and company, hospitals, hotels, factories and other environments.

Features:

1. Pairing number of digit display emitter.
2. Able to save 4 pieces emitters from 1 to 4, if exceed 4 pieces emitters then automatically replace the early saved emitters.
3. Function: flash + ringtone
4. 4 optional ringtones enable users to set their preference.
5. 4-level adjustable volumes: up to 100dB
6. Four working modes:
 - A Ringtone + Flash
 - B Ringtone
 - C Flash
 - D Mute (Digit Indicator)
7. Support switch function
8. Learning code: Users can flexibly add or remove receivers and transmitters, and easily master the pairing method
9. Memory function: After setting the volume and ringtone, the receiver will still maintain the set options when powered off and then back on.

10. The working distance can reach 300 meters in an open and barrier-free environment. Support long-distance remote control, stable signal and interference-free

11. Door sensor:

① Users can install it on doors and windows.

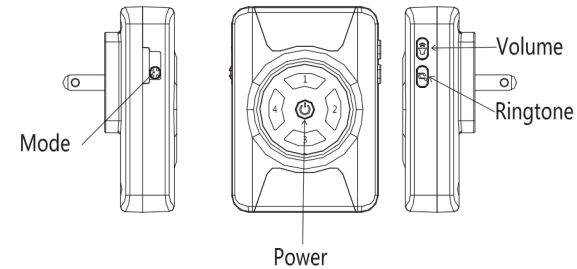
② When the door or the window is opened, the transmitter sends a signal to the receiver, and the receiver automatically rings when the signal is received.

12. Button launch:

① Users can install it on the wall or take it along.

② Press the transmitter button to send a signal to the receiver, and the receiver automatically rings when the signal is received.

Schematic:



Instructions:

1. Power instructions: Press and hold the power button to turn on or off the receiver. When the receiver is turned on, there will be a ding sound and the light will flash once. When the receiver is turned off, the light will be off with a ding sound.

2. Volume adjustment: Short press the volume button on the receiver to amplify the sound by one level. After adjusting to the maximum volume, pressing the volume button again will switch back to the first level. There are a total of 4 volume cycles.

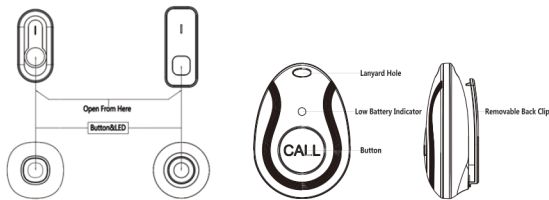
3. Change the transmitter ringtone/learning code:

① Short press the receiver's music key to choose ringtone.

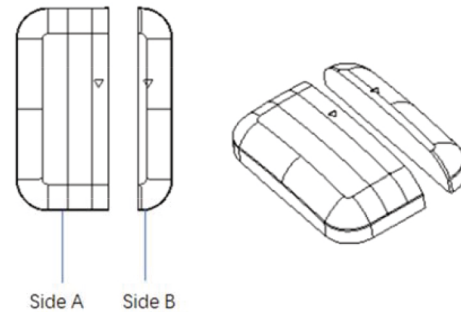
② Press and hold the volume button of the receiver until the LED light of the receiver flashes and emits a "ding" sound to enter the learning mode (wait for the code matching time for 10 seconds, and it automatically exits if no signal from the transmitter is received within 10 seconds).

③ In learning mode:

Transmitter button: Press the button of the transmitter quickly, the indicator light will light up, and transmit a signal to the receiver, the receiver will send out two "ding" prompts, indicating the successful setting; press the transmitter again, the receiver will ring the music set by the user.



Door Transmitter: Pull out the induction magnetic strip on the B side, the blue light will light up and automatically transmit a signal to the receiver, the receiver will send out two "ding" prompts, indicating the successful setting; when the B side induction magnetic strip of the transmitter is closed to the A side and then pulled open, the music that the receiver rings is the ringtone set by the user.



⑤ This method is also suitable for adding transmitters. Multiple transmitters can correspond to the same or different ringtones. To set the same ringtone, select the same ringtone each time you match the code, and press the button of the transmitter. To set a different ringtone, please tune to a different music after completing the pairing of the first transmitter, and complete the pairing of other transmitters one by one, support up to 4 transmitters.

⑥ In case of failed code matching within the learning time, please refer to the above steps and operate it again.

4. Clear code/reset: Press and hold the receiver music key until the receiver LED light flashes and emits a "ding" sound. After clearing the code, the code matching between the transmitter and the receiver will be cleared and enter the pairing mode, then press any transmitter button again, it will automatically pair with the receiver, and the ringtone will return to the default "ding dong". (After clearing the code, it will automatically exit the code matching mode when no signal from the transmitter is received within 10 seconds.).

Technical parameter

Temperature	-30°C to +70°C
Frequency	433.92MHz±280KHz
Receiver voltage	AC 110-260V (wide voltage)
Transmitter voltage	23A12V alkaline battery

Precautions

- *Please test the working distance between the receiver and the transmitter before installation!
- *Please do not install the transmitter on the security door. The metal will weaken the signal and affect the remote control distance!
- *Please do not install the receiver near TVs, induction cookers, microwave ovens and other electrical appliances with electromagnetic waves!
- *Please do not put the receiver and transmitter in water or fire to avoid accidents!
- *In case of idle product for a long time, please take out the battery to prevent the battery from dew and avoid malfunction!