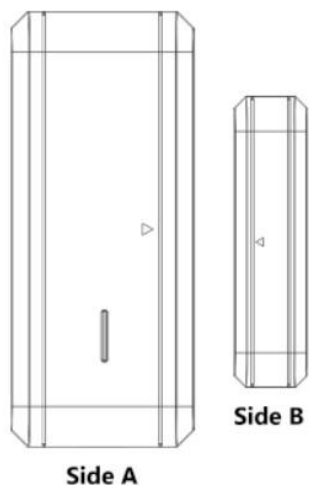
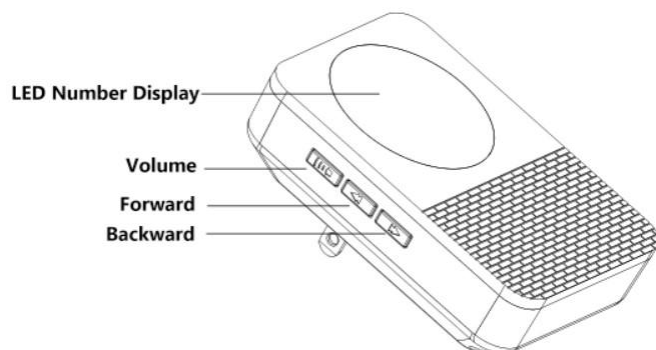


# User Manual of Wireless Door Chime

CC22-DS10



## Product Instruction

It's a Wireless Door Open Chime kit. When the two parts of the door sensor are separated more than 0.4 inches, the door sensor will be triggered, then you will hear the ringtone from the receiver, which can help deter break-ins, keep your children and pet safe, and never miss a customer when they come. It is an ideal door alarm for home, office, store, warehouse, and garages.



## Features

- \* LED 1-9 Number Display
- \* 55 Ringtones Optional
- \* 5 Volume Levels Adjustable (0-110 dB)
- \* Memory function: Keep the previous set tune after re-plugging it.

## Package List

- \* Doorbell Receiver
- \* Door Sensor
- \* User Guide

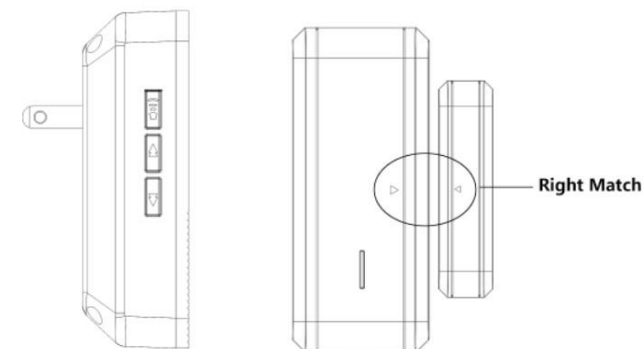
## Operating Instructions

Button operation mode is divided into:

Press: Press the button for once

Hold: Press the button for more than 5 seconds

- \* Receiver: Plug in the 100-220V AC outlet
- \* Door Sensor & Magnetic Strip Matching



## GETTING STARTED

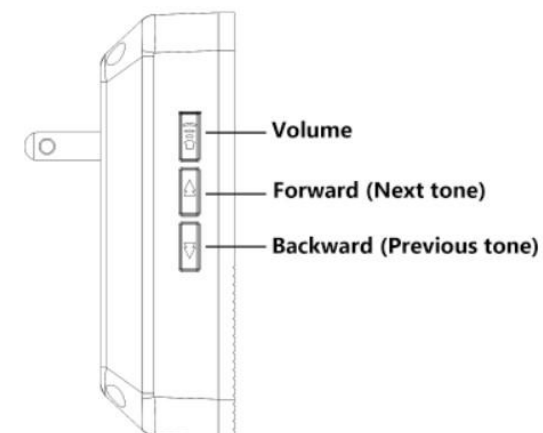
Plug the doorbell receiver into the AC outlet, the receiver will "ding-dong ding-dong" once and the LED number will flash in each color circularly to indicate ready to use.

### Select the Ringtone

Press the "Forward" to the next tone, press the "Backward" keys to the previous tone;

### Select the Volume

Hold the Volume key to cycle through 5 volume levels  
 Note: The volume changes to the largest automatically every time after the receiver is power on.



## Pairing

\* **Step 1:** Select your favorite tones one the plugged in receiver;

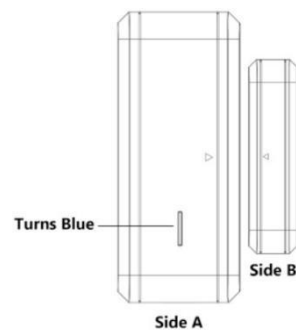
\* **Step 2:** Hold the “Volume” key for 5 seconds on the plugged-in receiver. The doorbell receiver will “ding-ding” once and the LED number will be lit up- this indicates the receiver is in pairing mode and ready to pair with a transmitter or accessory;  
**(NOTE: The doorbell receiver will automatically exit the pairing status of adding transmitters if no action is taken in 8s)**

\* **Step 3:** Separate the door sensor as follows:

**First:** Move Side B, Receiver beeps twice then get the two parts together

**Second:** Move Side B again, Receiver beeps once then get the two parts together

**Third:** Move Side B, Music is ringing, adding successfully.



## Clear All Settings - Unpair all transmitters/accessories from receiver

Hold the “Backward” key till the receiver make a “ding-ding” sound and the LED number flash once, it finishes clear code and enters into pairing mode, the configured code between sensor and receiver

will be cleared, now it will automatically pair with the receiver when press button or add the sensor.

## How to install the Sensor

### Fixing with double-side adhesive

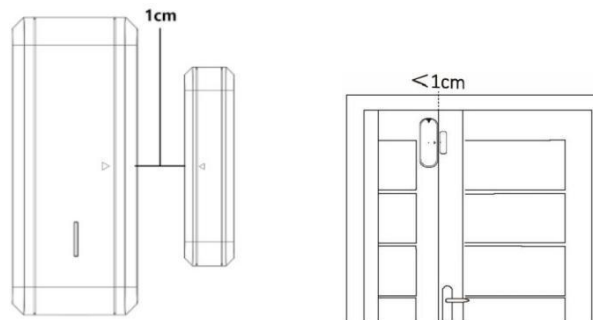
The surface (door or window) where the detector is to be installed must be clean and dry in order to ensure that the double-sided tape supplied adheres properly.

1. Transmitter and magnet alignment

The magnet has two small holes. When installing, make sure to align the back cover of the transmitter.

2. Maximum distance between the transmitter and the magnet

When installing the two elements, the distance between the transmitter and the magnet should not exceed 1cm



## Battery Replacement

Separate the back cover of the sensor down to access the battery compartment.

## Specification of Receiver:

Working Temperature: -30° C +70° C

Working Voltage: 100-220V AC

Working Frequency: 433 MHz

Operation Range: 400ft (in open area)

## Specifications of Door sensor:

Non-waterproof

Working Range: 400 ft (In open area)

Working current: 3uA(standby),  
15mA(Transmitting)

Installation gap: < 0.4 inches

Working Temperature: -4 °F ~ 122°F

Working Humidity: < 85%

## Tips

1. Do not operate the product with a damaged core or plug
2. Do not operate the product if it has been damaged in any way
3. Do not throw or shake the product
4. Keep the product away from fire or explosion may occur
5. Before using the product, read all instructions and caution makings on the product, accessories, and device using our product
6. Operating range will become shorter if the battery in the transmitter is at low power.