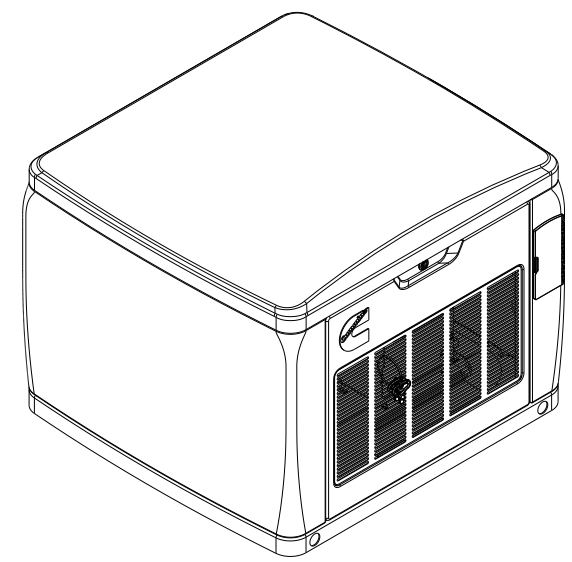
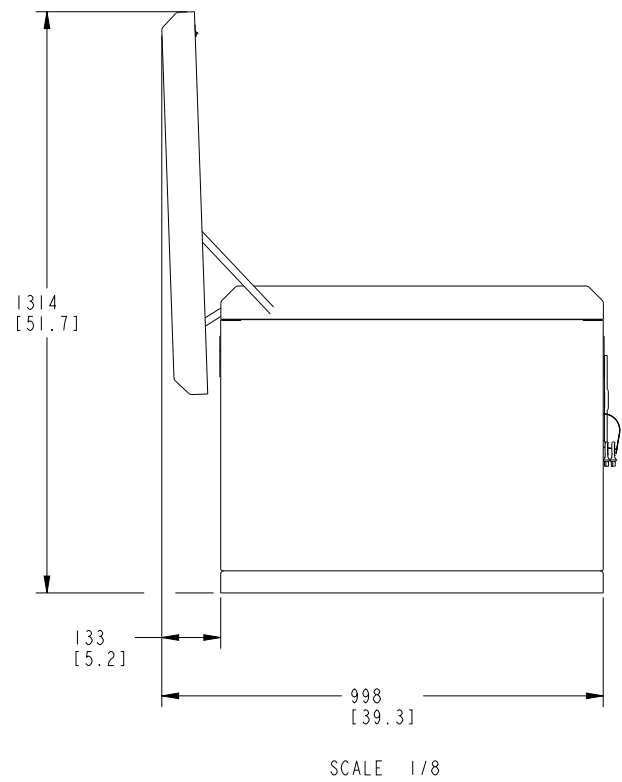
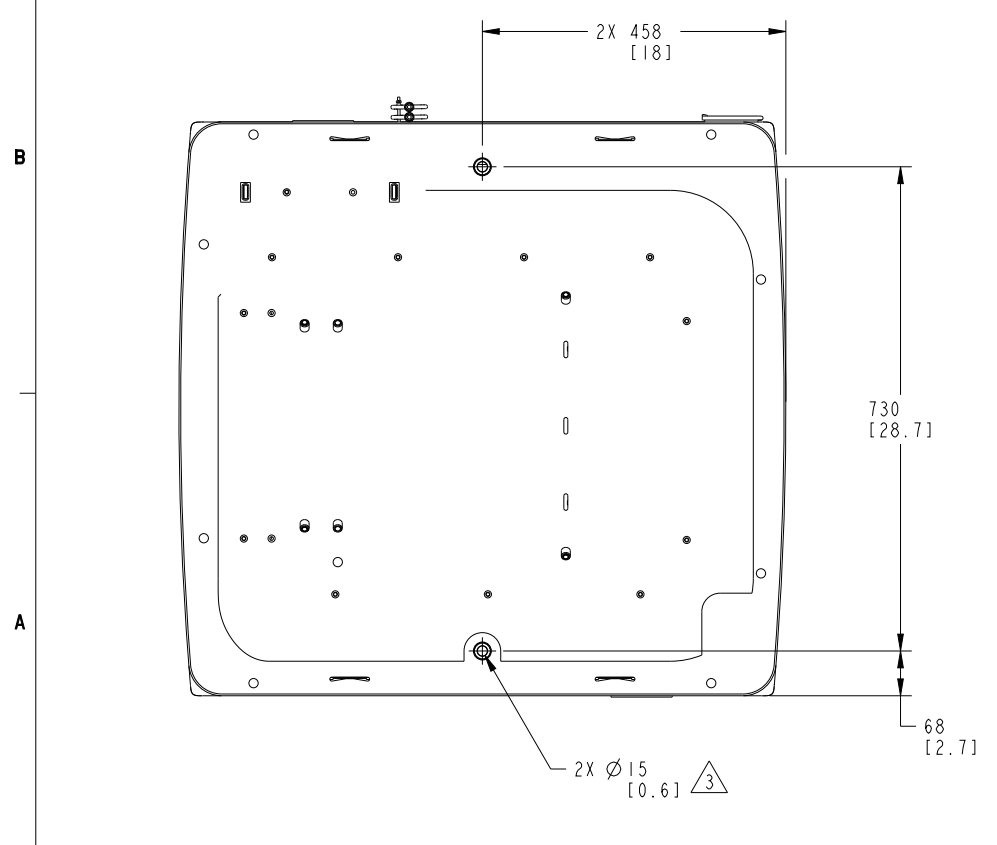
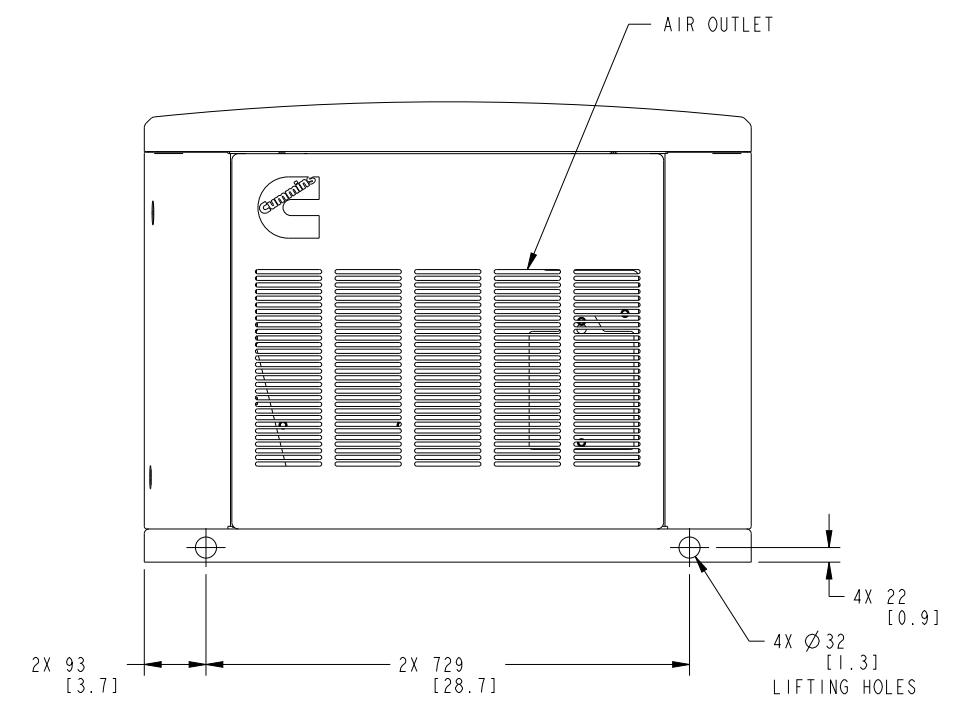
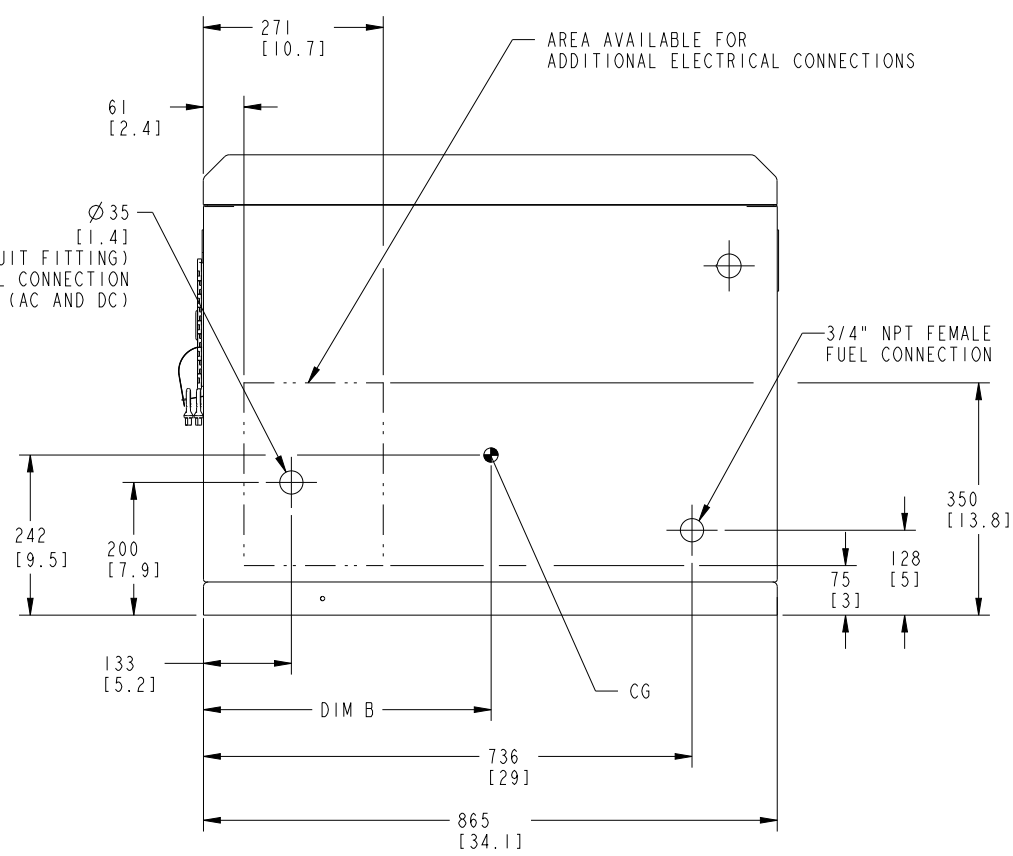
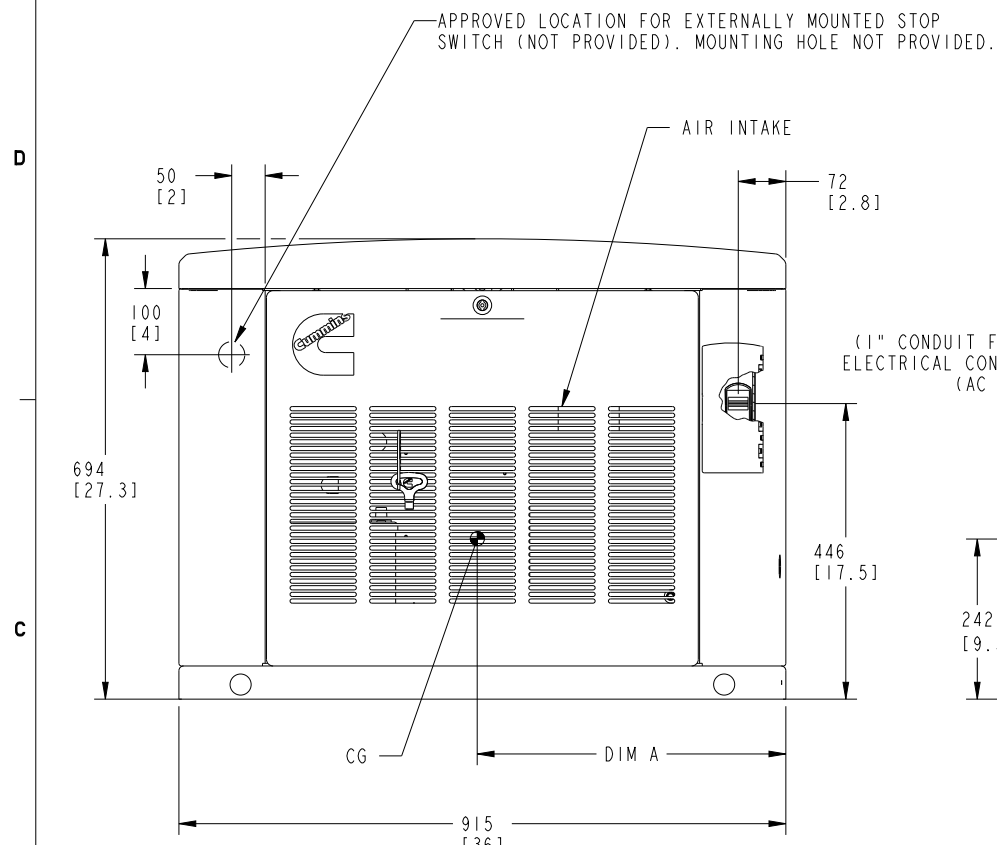


REL NO	REV	NO	REVISION	DRW	CKD	APVD	DATE
ECO-181860	A	1	PRODUCTION_RELEASE	RM	DG	D.GILLETT	27NOV18

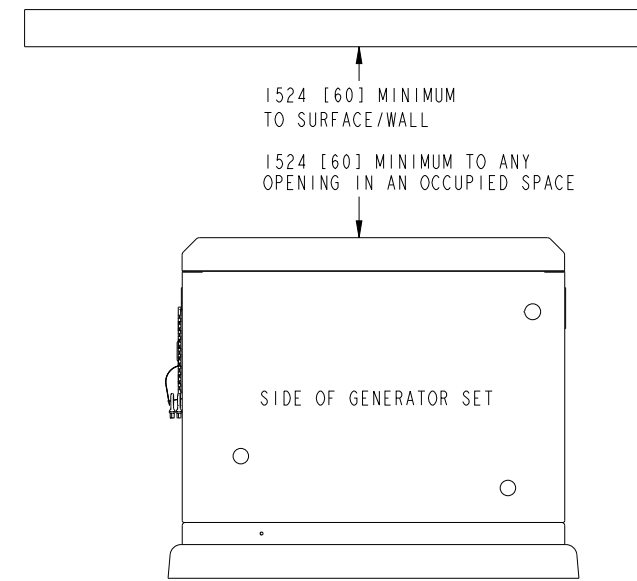
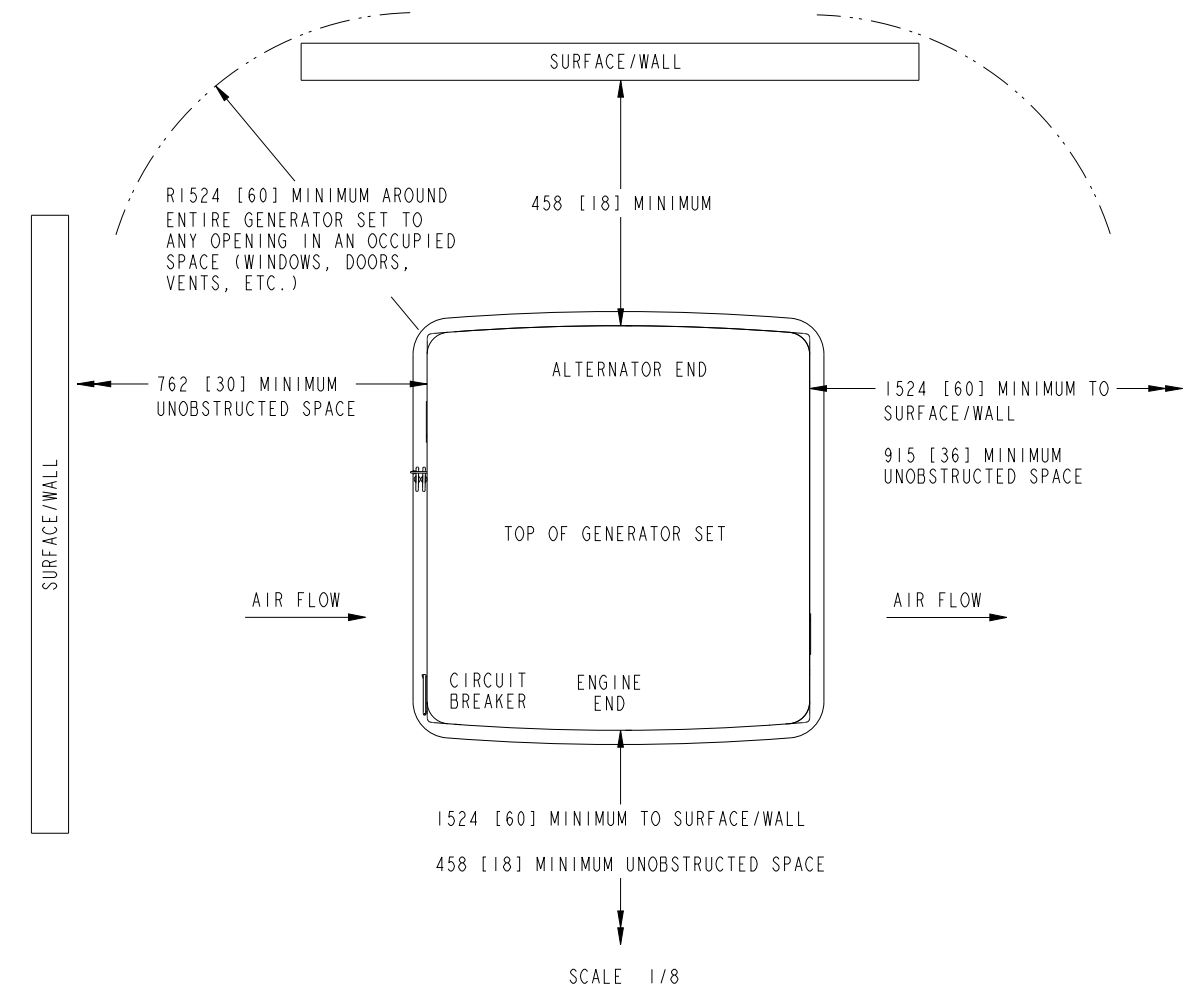
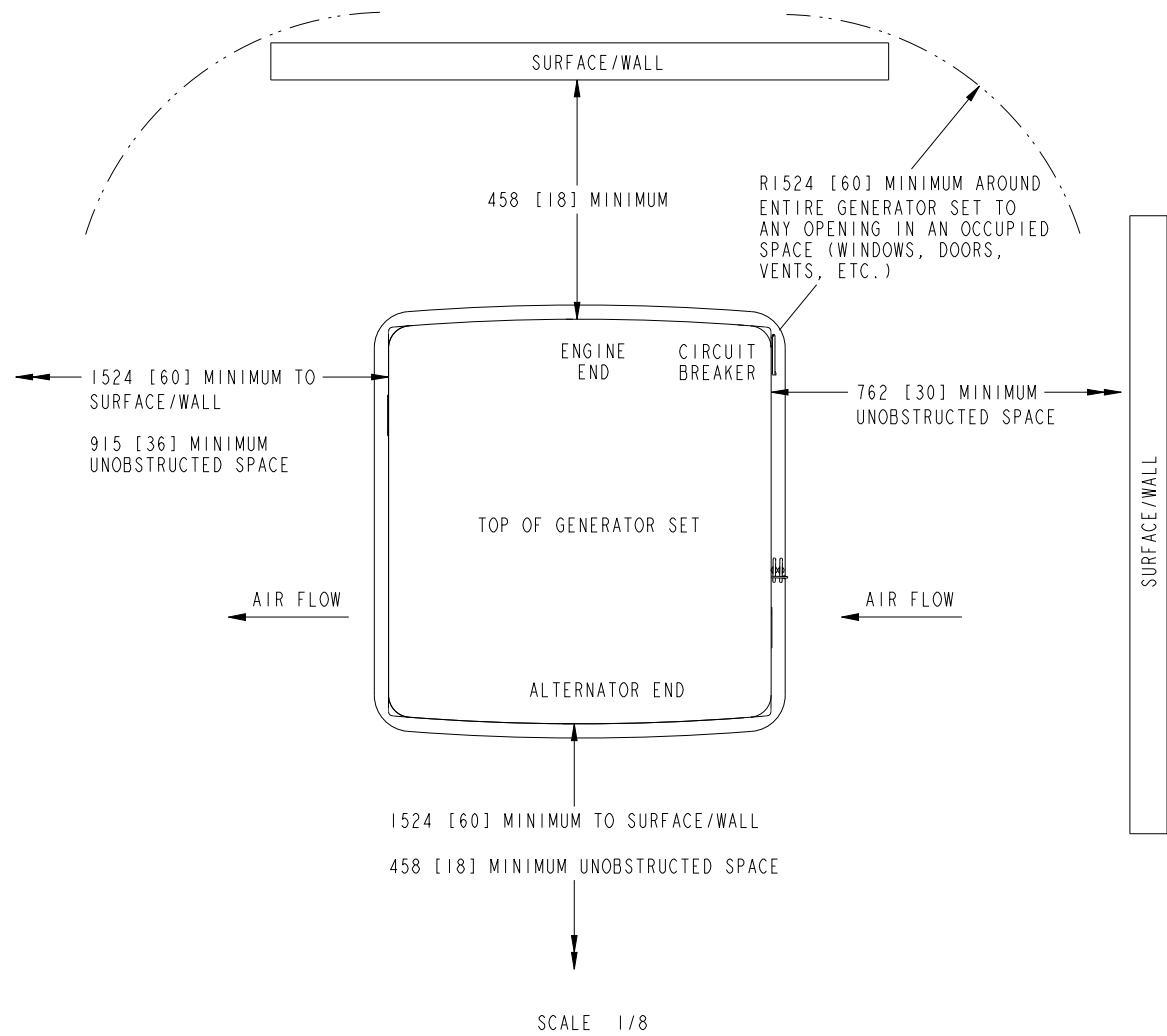


3D VIEW
SCALE 1/8

SCALE 1/8

UNLESS OTHERWISE SPECIFIED, ALL DIMENSIONS ARE IN MILLIMETERS		SHW TO: A053G027	DWN: R_MANE		CUMMINS POWER GENERATION	
DO NOT SCALE PRINT		CKD: D_GILLETT	APVD: D_GILLETT		OUTLINE, GENSET	
DATE: 27NOV18		FIRST USED ON: ARROW		SITE CODE: PGF	PART NO: A059K578	
ANG TOL: ± 1.0°		SCALE: 3/16		DRAWN BY: D		CAD SHEET: 2 of 4

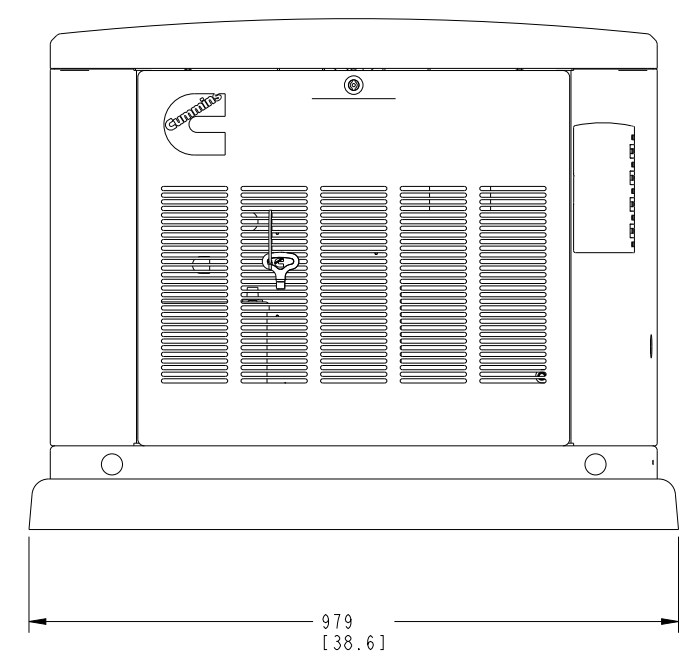
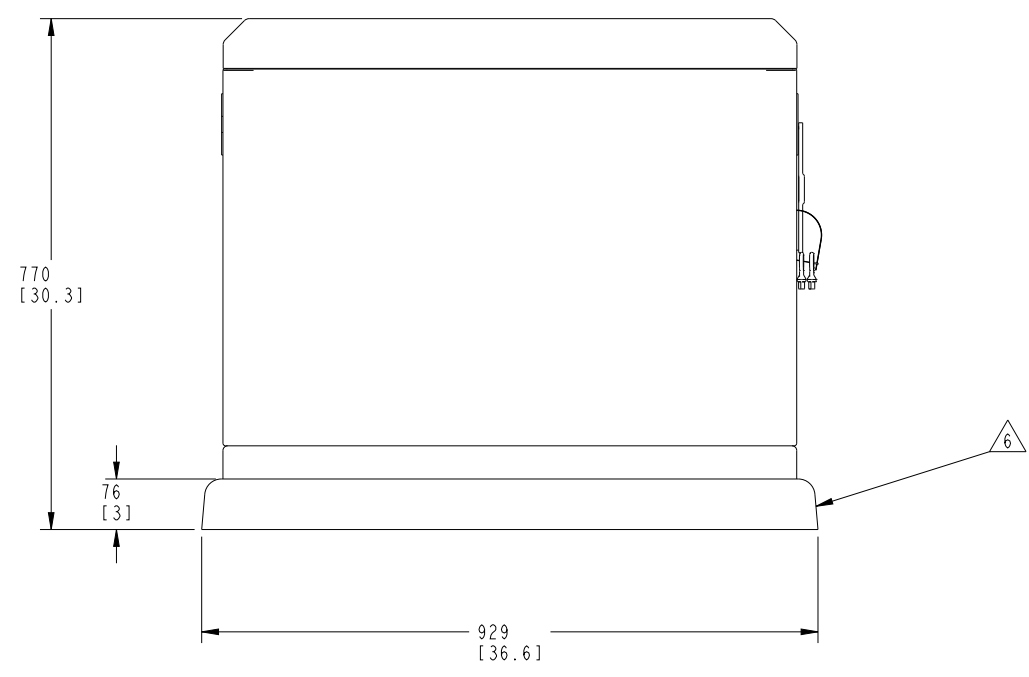
REL NO	REV	NO	REVISION	DWN	CKD	APVD	DATE
ECO-181860	A	1	PRODUCTION_RELEASE	RM	DG	D.GILLET	27NOV18



CLEARANCE REQUIREMENTS FOR GENERATOR SET INSTALLATIONS

UNLESS OTHERWISE SPECIFIED, ALL DIMENSIONS ARE IN MILLIMETERS		SHW TO A053G027	DWN R_MANE		CUMMINS POWER GENERATION	
DIM	TOL	DO NOT SCALE PRINT	CKD D_GILLET		OUTLINE, GENSET	
X ± 1	0.00- 4.99 +0.15/-0.08		APVD D_GILLET	SITE CODE	PGF	
.X ± 0.8	5.00- 9.99 +0.20/-0.10		DATE 27NOV18	DWG SCALE D	A059K578	CAD SHEET 3 of 4
.XX ± 0.38	10.00-17.49 +0.25/-0.13		<small>THIS DOCUMENT (AND THE INFORMATION SHOWN THEREON) IS CONFIDENTIAL AND PROPRIETARY AND SHALL NOT BE DISCLOSED TO OTHERS IN HARD COPY OR ELECTRONIC FORM, REPRODUCED BY ANY MEANS, OR USED FOR ANY PURPOSE WITHOUT WRITTEN CONSENT OF CUMMINS INC. FOR INTERPRETATION OF DIMENSIONING AND TOLERANCING, SEE ASME Y14.5-2009</small>			
ANG TOL ± 1.0°	SCALE 3/16			ARROW		

REL NO	REV	NO	REVISION	DWN	CKD	APVD	DATE
ECO-181860	A	1	PRODUCTION_RELEASE	RM	DG	D.GILLETT	27NOV18



UNLESS OTHERWISE SPECIFIED, ALL DIMENSIONS ARE IN MILLIMETERS				SHW TO A053G027	DWN R_MANE		CUMMINS POWER GENERATION	
DO NOT SCALE PRINT				CKD D_GILLETT	APVD D_GILLETT		OUTLINE, GENSET	
DIM	X ± 1	TOL	0.00- 4.99 +0.15/-0.08		DATE 27NOV18	SITE CODE		
	.X ± 0.8		5.00- 9.99 +0.20/-0.10		FIRST USED ON	PGF	SIZE D	A059K578
	.XX ± 0.38		10.00-17.49 +0.25/-0.13		FOR INTERPRETATION OF DIMENSIONING AND TOLERANCING, SEE ASME Y14.5-2009			CAD SHEET 4 of 4
ANG TOL	± 1.0°	SCALE	3/16	THIS DOCUMENT (AND THE INFORMATION SHOWN THEREON) IS CONFIDENTIAL AND PROPRIETARY AND SHALL NOT BE DISCLOSED TO OTHERS IN HARD COPY OR ELECTRONIC FORM, REPRODUCED BY ANY MEANS, OR USED FOR ANY PURPOSE WITHOUT WRITTEN CONSENT OF CUMMINS INC.				

Part A059K578 A

Description	Legacy Name	External Regulations	Application Status	Release Phase Code	Security Classification	Alternates
OUTLINE,GENSET	A059K578	No External Regulations Apply	Production Only	Production	Confidential	

Part Specifications :A059K578 A

Name	Description	Legacy Name
A030B356	SPECIFICATION,MATERIAL	CES10903
A059K579	DRAWING,ENGINEERING	A059K579