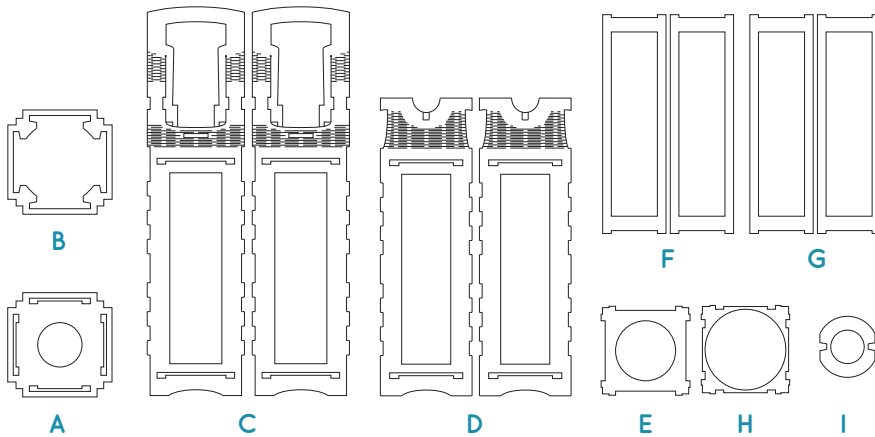
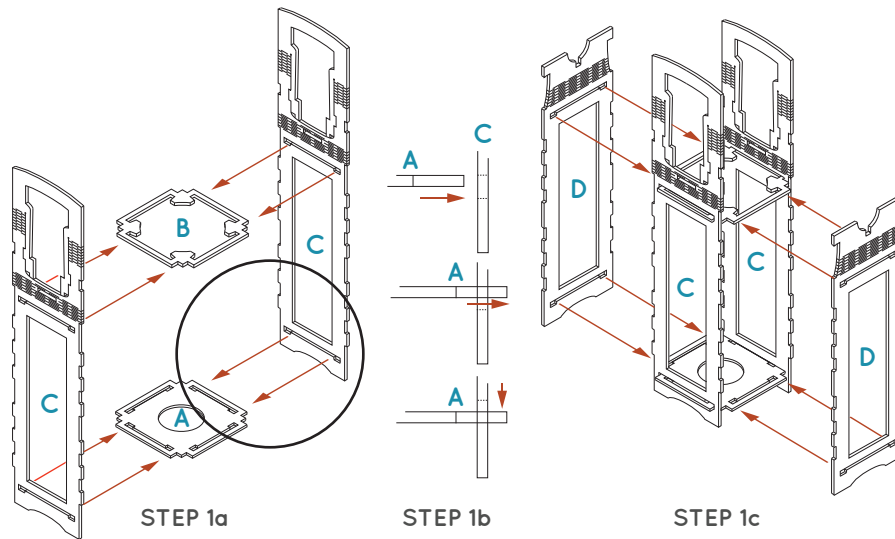


CUSTOM OCCASION BOTTLE CARRIER INSTRUCTIONS



PARTS LIST

- A** Center piece - lower
- B** Center piece - upper
- C** Tall side panels
- D** Short side panels
- E** Lower inner locking piece
- F** Long panel inserts
- G** Short panel inserts
- H** Top inner locking piece
- I** Gift tag



ASSEMBLING THE CARRIER

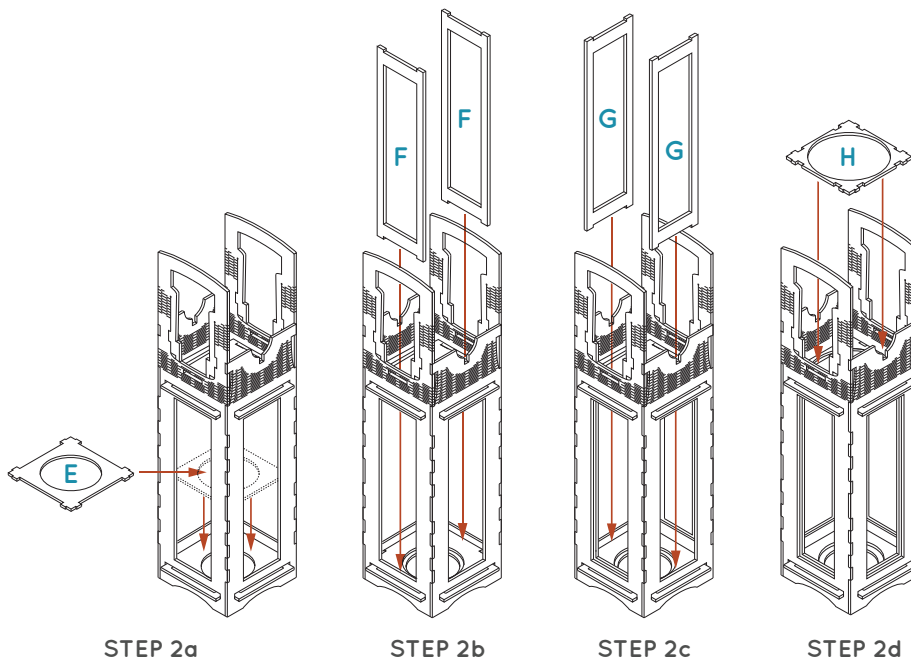
STEP 1

- 1a** - Positioning center pieces (**A & B**) accordingly, insert the center pieces into the slots of the tall panels (**C**)
- 1b** - Press center pieces (**A & B**) down to lock each slot into the tall panels (**C**)
- 1c** - Insert and lock the center pieces (**A & B**) into the slots of the short panels (**D**) using the same technique

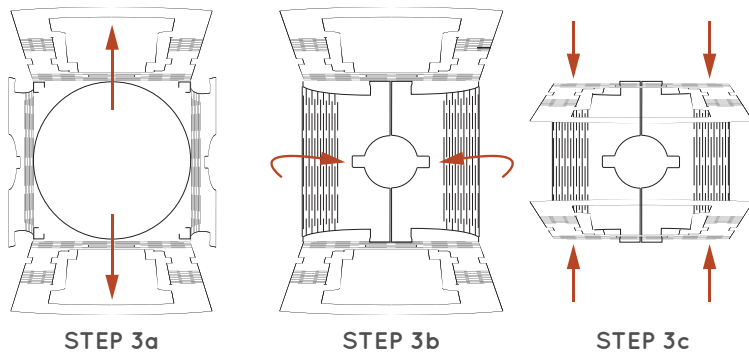
STEP 2

- 2a** - Turn the lower inner locking piece (**E**) sideways through a panel opening then push it down flat onto the lower center piece (**A**) so the outer tabs snap into the panel slots. This requires some force as it will be a tight fit.
- 2b** - Slide your selection of long panel inserts (**F**) through the slots of the upper center piece (**B**) and down into place so the insert tabs lock into the slots of the lower inner locking piece (**E**).
- 2c** - Repeat process for short panel inserts.
- 2d** - Push upper locking piece (**H**) down flat over the upper panel insert tabs and onto the upper center piece (**B**) so the outer tabs snap into the panel slots. Again, this requires some force.

The carrier is now ready for your bottle!



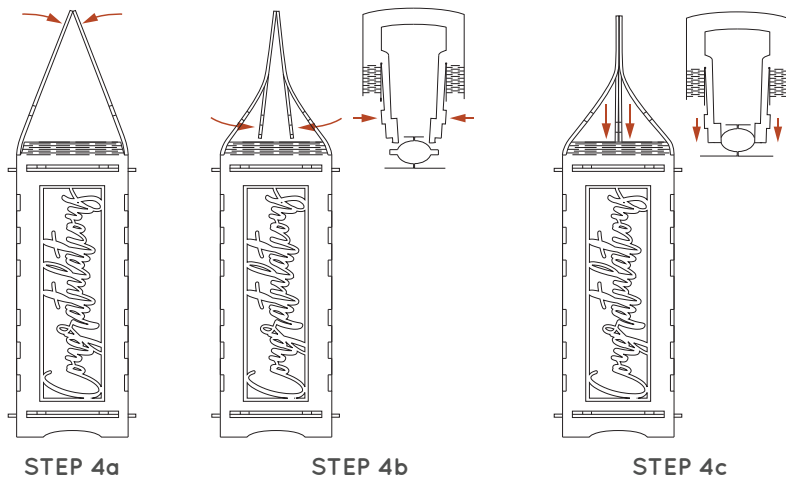
LAYERMADE WORKSHOP



FASTENING THE CARRIER

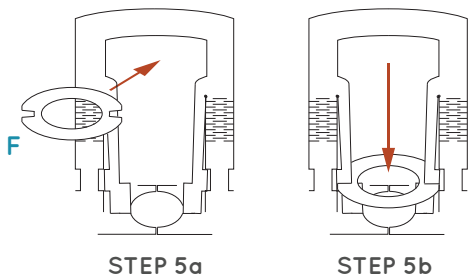
STEP 3

- 3a** - Slightly bend out the tall panels.
- 3b** - Fold the short panels together inward so the tabs align with the slots on the tall panels.
- 3c** - Secure the tabs by bending the tall panels back toward each other.



STEP 4

- 4a** - Bend the tall panels together at the top.
- 4b** - Press together the inner prongs together while slightly squeezing inwards.
- 4c** - Push the prongs downward into corresponding slots and release. The box should now remain closed around the bottle.



ADDING THE GIFT TAG

STEP 5

- 5a** - Insert the gift tag (F) into the upper larger part of the handle, aligning the tag slots with the handle sides.
- 5b** - Slide the gift tag down over the bottle neck.