

**TRADITIONAL COFFEE APPLIANCE
MACHINE A CAFÉ TRADITIONNELLE**



CLASSIC 123

1XX HABILLAGE

- 110 HABILLAGE CLASSIC 123
- 120 CALANDRE CLASSIC 123

MACHINE CASNG

- CLASSIC 123 CASING
- CLASSIC 123 FRONT PANEL

2XX SORTIES EXTÉRIEURES

- 200 EV SORTIE EAU CHAUDE & VAPEUR
- 210 SORTIE VAPEUR INOX
- 261 SORTIE EAU CHAUDE

EXTERNAL OUPUT

- EV HOT WATER & STEAM OUTLET
- STEAM OUTLET STAINLESS STEEL
- HOT WATER OUTLET

3XX HYDRAULIQUE

- 301 CIRCUIT HYDRAULIQUE CLASSIC 1
- 302 CIRCUIT HYDRAULIQUE CLASSIC 2
- 303 CIRCUIT HYDRAULIQUE CLASSIC 3
- 310 ENTRÉE D'EAU & VIDANGE 1GR
- 311 ENTRÉE D'EAU & VIDANGE 2 & PLUS
- 320 MOTEUR POMPE 100L-200L
- 330 DOSEURS D'ALIMENTATION 230V
- 335 MANOMÈTRE
- 340 CHAUDIÈRE
- 344 GROUPE CAFÉ MAESTRO 230V (RL)
- 345 GROUPE CAFÉ MAESTRO 230V (STANDARD)
- 346 GROUPE CAFÉ CREMA 230V

HYDRAULIC CIRCUIT

- HYDRAULIC CIRCUIT CLASSIC 1
- HYDRAULIC CIRCUIT CLASSIC 2
- HYDRAULIC CIRCUIT CLASSIC 3
- INLET WATER & DRAIN 1 UNIT
- INLET WATER & DRAIN 2 & MORE
- 100L-200L MOTORS PUMPS
- WATER DOSING UNIT 230V
- MANOMETER
- BOILER
- 230V MAESTRO COFFEE GROUP (RL)
- 230V MAESTRO COFFEE GROUP (STANDARD)
- 230V CREMA COFFEE GROUP

4XX CIRCUIT CAFÉ

- 493 PORTE FILTRE POIGNÉE COURTE

COFFEE SYSTEM

- FILTER HOLDER SHORT HANDLE

5XX ÉLECTRONIQUE

- 501 COMPOSANTS ÉLECTRIQUES 1GR
- 502 COMPOSANTS ÉLECTRIQUES 2 & PLUS
- 511 SCHEMA DE PRINCIPE DE CABLAGE 1GR
- 512 SCHEMA DE PRINCIPE DE CABLAGE 2GR
- 513 SCHEMA DE PRINCIPE DE CABLAGE 3GR

ELECTRONIC SYSTEM

- 1 UNIT ELECTRICAL COMPONENTS
- 2 & MORE UNITS ELECTRICAL COMPONENTS
- 1 UNIT DIAGRAM WIRING
- 2 UNITS DIAGRAM WIRING
- 3 UNITS DIAGRAM WIRING

6XX OPTION/KIT

- 631 OPTION PIEDS HAUTS

OPTION/KIT

- HIGH FEET OPTION

PLANCHE - PLATE 110

REF	ELUX	DESIGNATIONS FR	DESIGNATIONS GB
28904		RESSORT ELASTOMERE	RUBBER SPRING
50215		VIS EPAULEE COTE	SIDE SCREW
51100		ECROU M5 INOX	NUT M5
60002		DOUILLE RESSORT ELASTOMERE	RUBBER SPRING SOCKET
DV-163		JUPETTE PLASTIQUE MOD	COVER PLASTIC
DV-164		JOINT POUR JUPETTE NSF	GASKET COVER
FR-4056		VIS SPECIAL COTE	SIDE SCREW
FR-4066		OLIVE DE FIXATION	NIPPLE
FR-4072		VIS EPAULEE M4	SCREW M4
ID-62		JOINT TORIQUE POUR EV PI-45	SOLENOID O'RING - GROUP
PE-59		VIS TCHC M4x10 INOX	SCREW 4 X 10
PG-14		ECROU M4	NUT M4
PG-15B		RONDELLE INOX 4.2X10X0.8	WASHER
RB-1440		COTE GAUCHE CLASSIC 123 ASSEMBLE	COMPLET LEFT SIDE CLASSIC 123
RB-1441		COTE DROIT CLASSIC 123 ASSEMBLE	COMPLET RIGHT SIDE CLASSIC 123
RB-1601		BASSINE CLASSIC 1 SOUDEE	CLASSIC 1 WELDED BASIN
RB-1602		BASSINE CLASSIC 2 SOUDEE	CLASSIC 2 WELDED BASIN
RB-1603		BASSINE CLASSIC 3 SOUDEE	CLASSIC 3 WELDED BASIN
RB-3011		DEVANT 1GR	1 UNIT FRONT
RB-3021		CHAUFFE TASSE 1GR	1 UNIT CUP WARMER
RB-3022		CHAUFFE TASSE 2GR	2 UNITS CUP WARMER
RB-3023		CHAUFFE TASSE 3GR	3 UNITS CUP WARMER
RB-3025		VERRIERE L300	CUP RACK
RB-3035		VERRIERE L219	CUP RACK
RB-3042		CHEMISE ARRIERE	REAR CASING
RB-3061	OUN147	GRILLE DE BASSINE 1GR	1 UNIT OVERFLOW TRAY GRID
RB-3092		GRILLE DE BASSINE 2GR	2 UNITS OVERFLOW TRAY GRID
RB-3093		GRILLE DE BASSINE 3GR	3 UNITS OVERFLOW TRAY GRID
RB-3094		DEVANT 2GR	2 UNITS FRONT
RB-3095		DEVANT 3GR	3 UNITS FRONT
RB-3132		CHEMISE ARRIERE CLASSIC 2	CLASSIC 2 REAR CASING
RB-3133		CHEMISE ARRIERE CLASSIC 3	CLASSIC 3 REAR CASING
RB-7018		ENJOLIVEUR RAYON	RADIUS COVER
RB-7025		JOUE DE BASSINE G	LEFT ORNAMENTAL OVERFLOW TRAY
RB-7026		JOUE DE BASSINE D	RIGHT ORNAMENTAL OVERFLOW TRAY



Mira Classic PM Schedule

March-21				Quantity			Years			
Classic PM Parts	Unic Parts listing Description	Part #	Parts Page RB9200	Classic 1	Classic 2	Classic 3	6 Months	1	2	6
								3	4	
Group Service										
Group O-ring 2.62mm x 52.07mm	GASKET - 2.62 X 52.07	27800	344	1	2	3	✓	✓	✓	✓
Group Gasket	HEAD GASKET 9MM	PC-17	344	1	2	3	✓	✓	✓	✓
Complete Gicleur Assembly	GICLEUR Ø 0.7 KIT	23127	344	1	2	3		✓	✓	✓
Diffuser Disk	WASHER DIFFUSER	31910	344	1	2	3		✓	✓	✓
Slotted Screw - shower screen	SCREW - M5 X 10	50200	344	1	2	3		✓	✓	✓
Shower Screen	PACKER FILTER	ID-103	344	1	2	3		✓	✓	✓

Steam/Water Wands Service										
Lower swivel O-ring	O RING - 9,13 X 2,62	PH-78	200	2	3	3	✓	✓	✓	✓
Upper O-Ring - steam wand	O RING - 13.95 X 2.62	PH-54	200	2	3	3	✓	✓	✓	✓
Copper Spacer washer	COPPER GASKET	AG-14	200	2	3	3		✓	✓	✓
Wand Spring	SPRING	PA-43	200	2	3	3		✓	✓	✓
Wand Spring Holder	BRASS END	RR-67	200	2	3	3		✓	✓	✓

General Service										
Steam Boiler Safety Valve	LP VALVE 1/8	27200	340	1	1	1		✓	✓	✓
Drip tray O-ring	O RING - 2.62 X 17.13	27845	310, 311	1	1	1		✓	✓	✓
Complete Vacuum Break Kit	VACUUM VALVE KIT	27224							✓	✓
O-ring Grouphead to Boiler	GASKET - 36,09 X 3,53	PE-28	344	1	2	3			✓	✓
Flow Meter O-ring	GASKET - DOSING DEVICE	CN-828	330	1	2	3			✓	✓
Flow Meter Impeller	TURBINE	CN-829	330	1	2	3			✓	✓
Level Probe Complete L-130mm	LEVEL PROBE L=130	26510	340	1	1	1			✓	✓



Mira Classic PM Schedule

March-21				Quantity			Years			
Classic PM Parts	Unic Parts listing Description	Part #	Parts Page RB9200	Classic 1	Classic 2	Classic 3	6 Months	1 3 5	2 4	6
				Complete 6 Year Service						
Brew Valve W/O coil (incl o-rings)	WHOLE ELECTROVALVE W/O COIL	PI-45X	346	1	2	3				✓
Flow Meter Cap	WATER DOSING DEVICE LID	CN-827	330	1	2	3				✓
Hot Water Valve	ELECTROVALVE 2W W/O COIL	CN-245W	200	1	2	2				✓
Flat Rubber Gasket (hot water valve)	GASKET - 20 X 12 X 2	28352	200	1	2	2				✓
PRESSURESTAT UL - SIRAI	PRESSURESTAT UL - SIRAI	AE-53A	501	1	1	1				✓
Copper Crush Washer (PSTAT)	GASKET - 11.4 X 6.2 X 1	CN-618	501	1	1	1				✓
Procon Pumphead 200L/H	PROCON PUMP 200L/H	37207	320	1	1	1				✓
Pump Coupler Kit	COUPLING KIT	37216	320	1	1	1				✓
Heating Element O-ring	GASKET - 66.68 X 3.53	CV-20	501, 502	1	1	1				✓
Filling Valve	ELECTROVALVE 2W ADJ. W/O COIL	CN-631W	330	1	1	1				✓
Filter screen-filing valve	FILTER FOR EV 1/8	25400	330	1	1	1				✓
Copper Washer - 2mm orifice	WASHER 1/4 D:2	DV-203	330	2	3	3				✓
Expansion Valve	COMPLET H.P. VALVE	DO-191	330	1	1	1				✓
O-ring 2mm x 9.5mm	O RING - 2 X 9,5	28134	330	3	6	6				✓
Copper Washer (pump/filling valve)	WASHER - COPPER - 3/8	CH-16	310, 330, 320	3	3	3				✓

Complete PM Kits	
Classic 2 Group 6 Month	
Classic 2 Group Years 1-3-5	
Classic 2 Group Years 2 & 4	
Classic 3 Group 6 Month	
Classic 3 Group Years 1-3-5	
Classic 3 Group Years 2 & 4	

www.unic-usa.com
www.grindmaster.com
www.electroluxprofessional.com

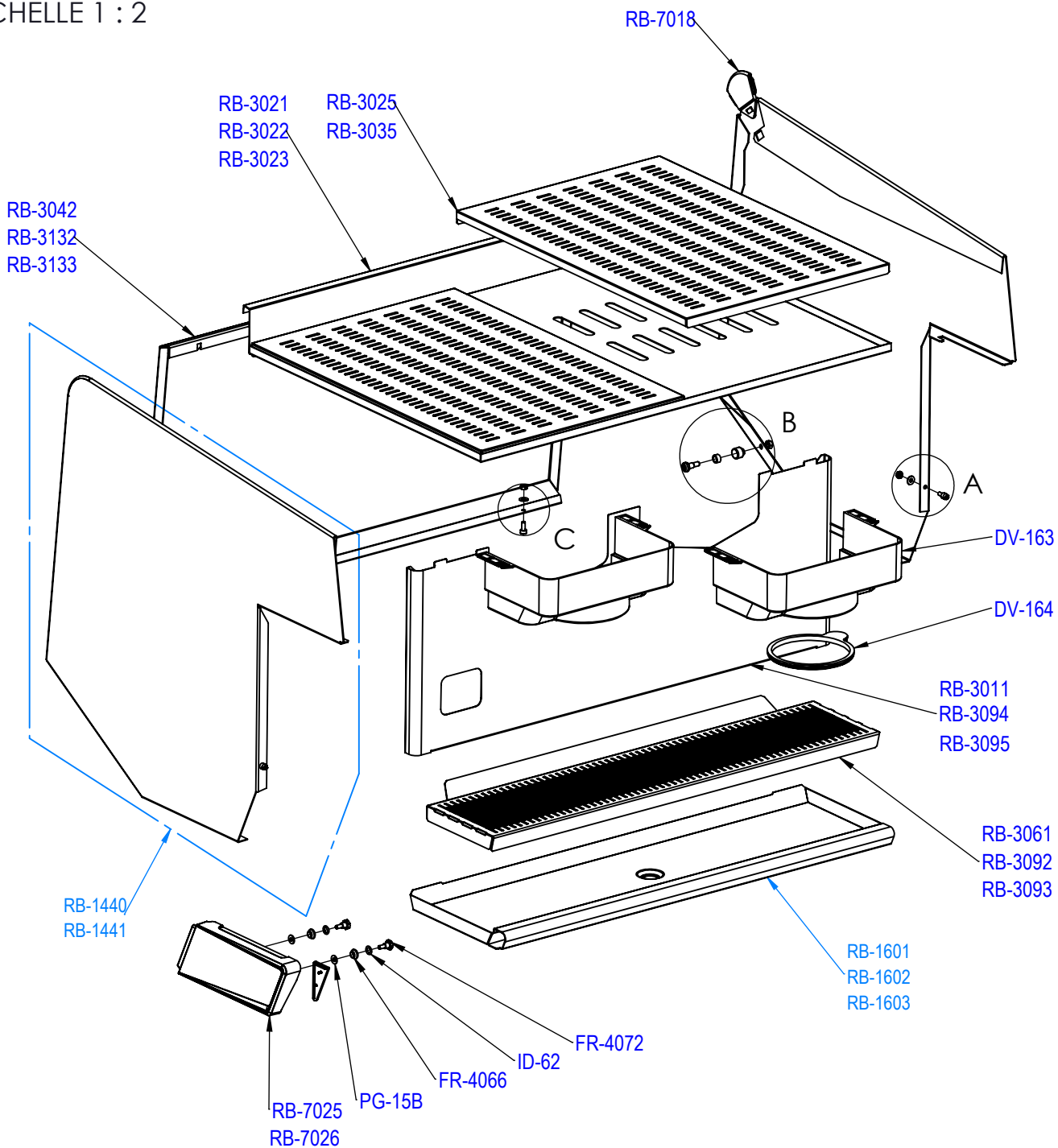
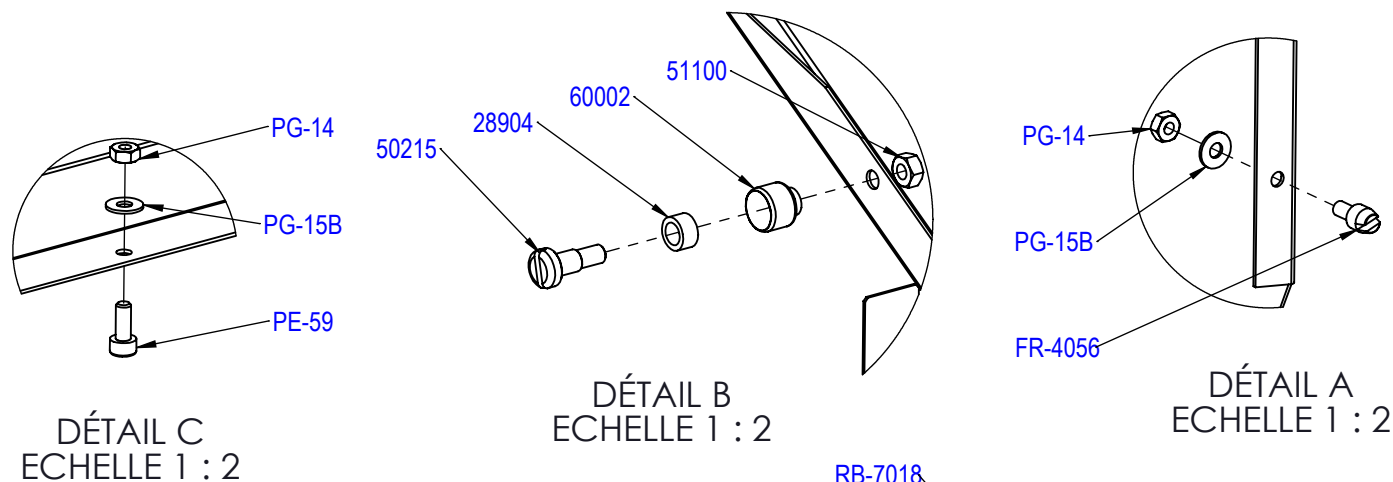


PLANCHE - PLATE 120

REF	ELUX	DESIGNATIONS FR	DESIGNATIONS GB
43405	0UN068	INTERRUPTEUR EAU CHAUDE	<i>HOT WATER SWITCH</i>
43406	0UN116	INTERRUPTEUR VAPEUR	<i>STEAM SWITCH</i>
45124	0UN123	BOITIER D2 230V	<i>ELECTRONIC BOX 230V D2</i>
45125		BOITIER D2 115V	<i>ELECTRONIC BOX 115V D2</i>
45166		BOITIER D2 230V SS LOGO	<i>ELECTRONIC BOX 230V D2 STANDARD</i>
45167		BOITIER D2 115V SS LOGO	<i>ELECTRONIC BOX 115V D2 STANDARD</i>
50703		VIS PARKER N6 9.5 SP CRUCIF.	<i>PARKER SCREW</i>
PE-59		VIS TCHC M4x10 INOX	<i>SCREW 4 X 10</i>
PG-15B		RONDELLE INOX 4.2X10X0.8	<i>WASHER</i>
RB-1611		CALANDRE CLASSIC 1 ASSEMBLEE	<i>COMPLET 1 UNIT FRONT PANEL</i>
RB-1612		CALANDRE CLASSIC 2 ASSEMBLEE	<i>COMPLET 2 UNITS FRONT PANEL</i>
RB-1613		CALANDRE CLASSIC 3 ASSEMBLEE	<i>COMPLET 3 UNITS FRONT PANEL</i>
RB-3511		CALANDRE CLASSIC 1	<i>1 UNIT FRONT PANEL</i>
RB-3512		CALANDRE CLASSIC 2	<i>2 UNITS FRONT PANEL</i>
RB-3513		CALANDRE CLASSIC 3	<i>3 UNITS FRONT PANEL</i>
TG-4004		ECROU INSERT	<i>INSERT NUT</i>
TG-7010		OREILLE GAUCHE	<i>LEFT ORNAMENTAL FRONT PANEL</i>
TG-7012		OREILLE DROITE	<i>BLACK RIGHT ORNAMENTAL FRONT PANEL</i>

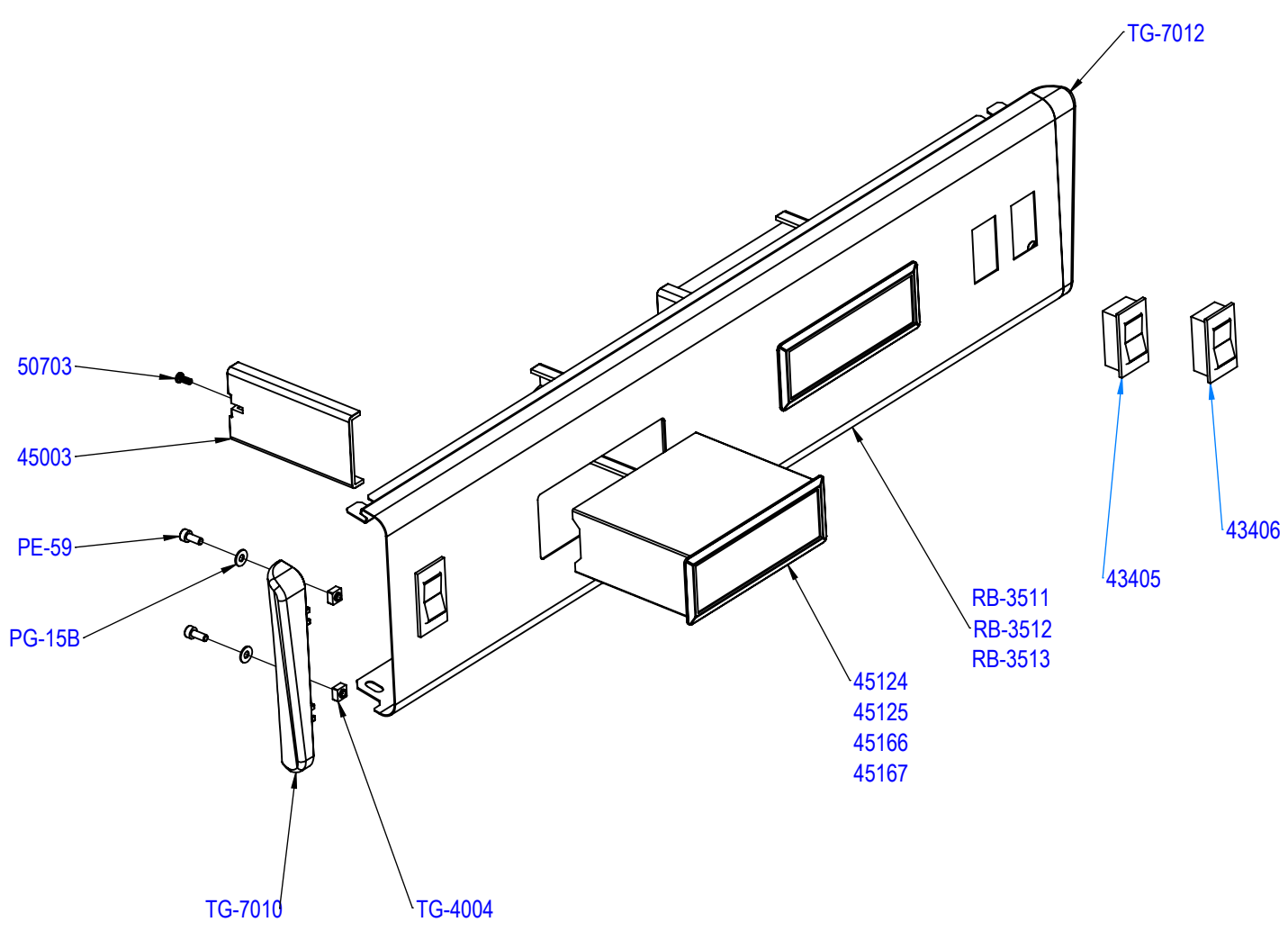
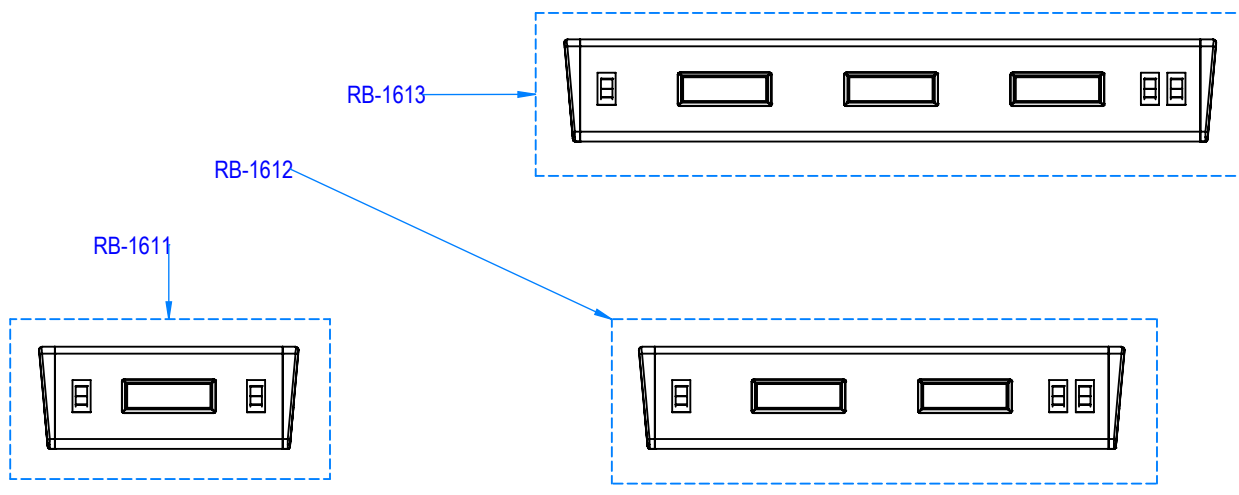


PLANCHE - PLATE 200

REF	ELUX	DESIGNATIONS FR	DESIGNATIONS GB
20952		RACCORD 1/4 MALE	<i>FITTING 1/4 M</i>
25915		CACHE SORTIE EAU VAPEUR	<i>COVER OUTLET STEAM WATER</i>
28134	0UN146	JOINT TORIQUE 2X9,5 FKM 80SH	<i>GASKET 2X9,5</i>
28134	0UN019	JOINT TORIQUE 2X9,5 NEXUS	<i>O RING 2X9,5</i>
28352	0UN017	JOINT PLAT 20X12X2 EPDM 70SH	<i>GASKET 20X12X2</i>
CN-245	0UN025	ELECTROVANNE 2V 230V 50Hz	<i>ELECTROVALVE 2W 230V-50Hz</i>
DV-170		ECROU CHROME	<i>NUT 3/8</i>
DV-171		RACCORD 3/8-1/4	<i>FITTING 3/8</i>
DV-203		JOINT PLAT CUIVRE 1/4 D:2mm	<i>WASHER 1/4 D:2</i>
PA-43		RESSORT F15/10 L14,5 D10,5 P3	<i>SPRING</i>
PH-54	0UN133	JOINT TORIQUE 2,62X13,95 EPDM	<i>O RING - 13.95 x 2.62</i>
PH-78		JOINT TORIQUE 2,62X9,13 EPDM	<i>O RING - 9,13 X 2,62</i>
RR-67		EMBOUT LAITON	<i>BRASS END</i>

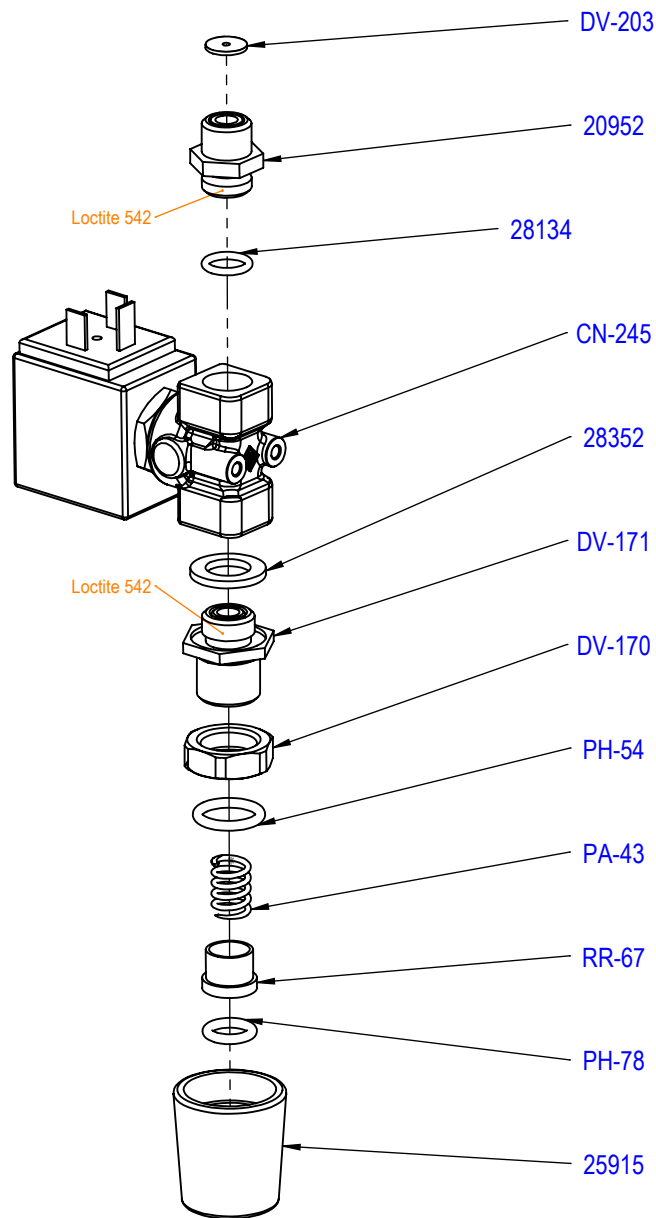


PLANCHE - PLATE 210

REF	ELUX	DESIGNATIONS FR	DESIGNATIONS GB
25901		SORTIE VAPEUR INOX	STAINLESS STEEL STEAM OUTLET
25910		POIGNEE SORTIE EAU CHAUDE ET VAPEUR	HOT WATER AND STEAM OUTLET HANDLE
25911		BAGUE POUR POIGNEE EAU ET VAPEUR	WATER AND STEAM HANDLE COLLAR
25934		BRISE JET VAPEUR M6.75x0.75	BREEZE JET STEAM M6.75x0.75

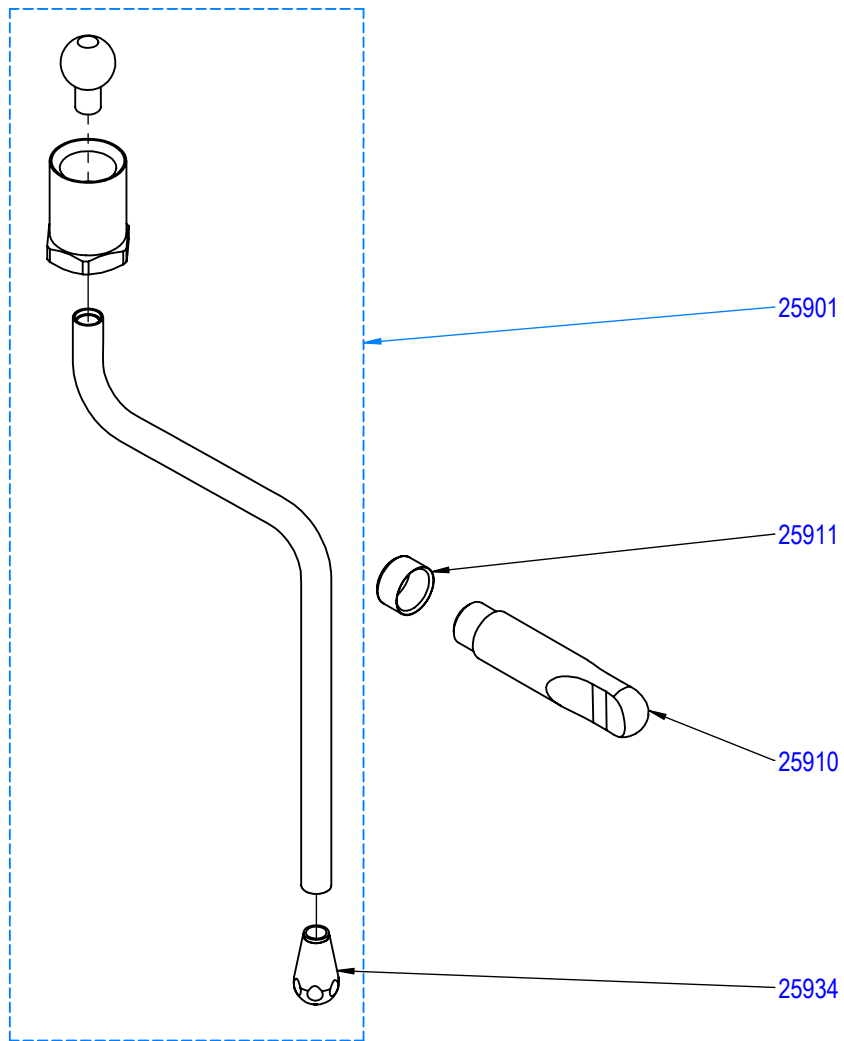


PLANCHE - PLATE 261

REF	ELUX	DESIGNATIONS FR	DESIGNATIONS GB
25716		BRISE JET POUR TUBE INOX EAU CHAUDE	<i>WINDSHIELD FOR HOT WATER PIPE</i>
25728		TUBE SORTIE EAU CHAUDE INOX	<i>HOT WATER OUTLET PIPE</i>
25730		SORTIE EAU CHAUDE INOX COMPLETE	<i>HOT WATER OUTLET</i>
25910		POIGNEE SORTIE EAU CHAUDE ET VAPEUR	<i>HOT WATER AND STEAM OUTLET HANDLE</i>
25911		BAGUE POUR POIGNEE EAU ET VAPEUR	<i>WATER AND STEAM HANDLE COLLAR</i>

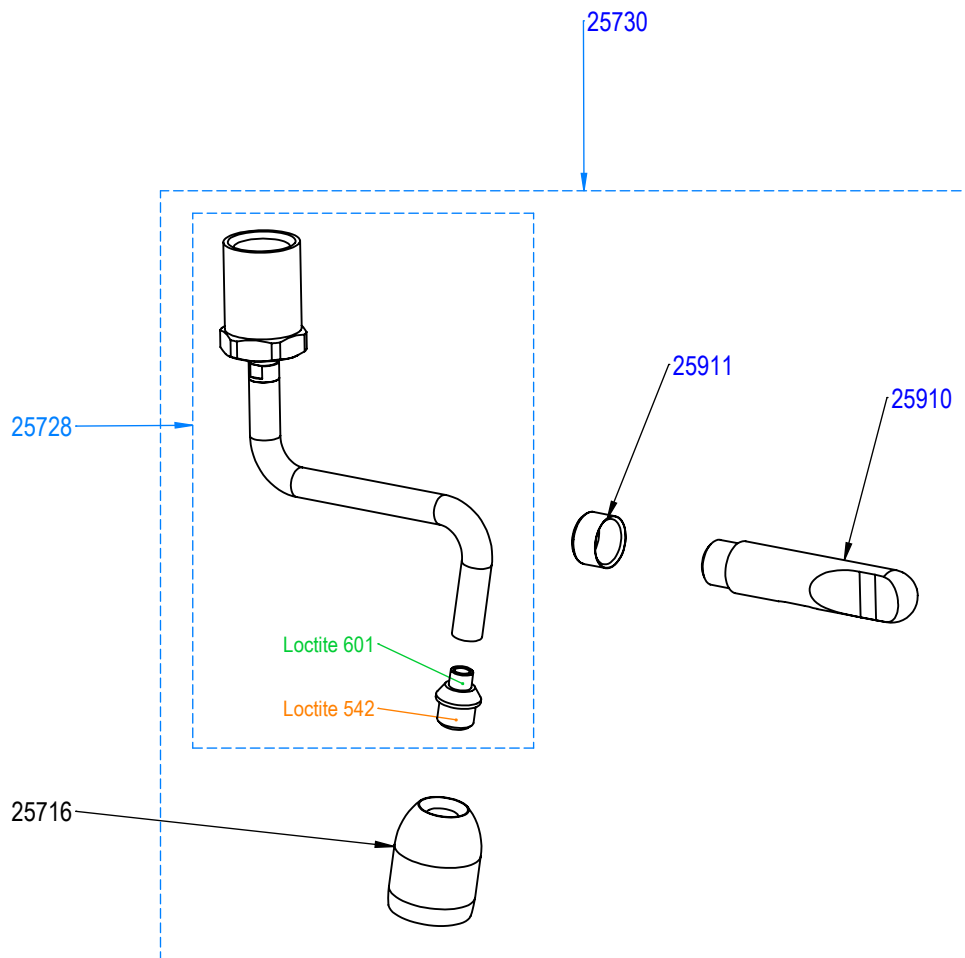


PLANCHE - PLATE 301

REF	ELUX	DESIGNATIONS FR	DESIGNATIONS GB
DV-6014		TUBE CUIVRE MANOMETRE HP	PIPE HP MANOMETER
DV-6039		TUBE DE DECOMPRESSION	PIPE GROUP DISCHARGE
DV-6068		TUBE CUIVRE SOUPAPE HP	PIPE VALVE EXHAUST
DV-6080		TUBE ALIMENTATION 1ER GROUPE	PIPE UNIT FILLING
DV-6081		TUBE DE REMPLISSAGE	PIPE BOILER FILLING
DV-6082		TUBE PRESSOSTAT SEC	PIPE PRESSURESTAT
DV-6098		TUBE EAU CHAUDE	HOT WATER PIPE
ID-75		TUBE FLEXIBLE COUDE ARME INOX	FLEXIBLE PIPE
RB-6095		TUBE VALVE VAPEUR	PIPE STEAM VALVE
RB-6096		TUBE VALVE VAPEUR	PIPE STEAM VALVE

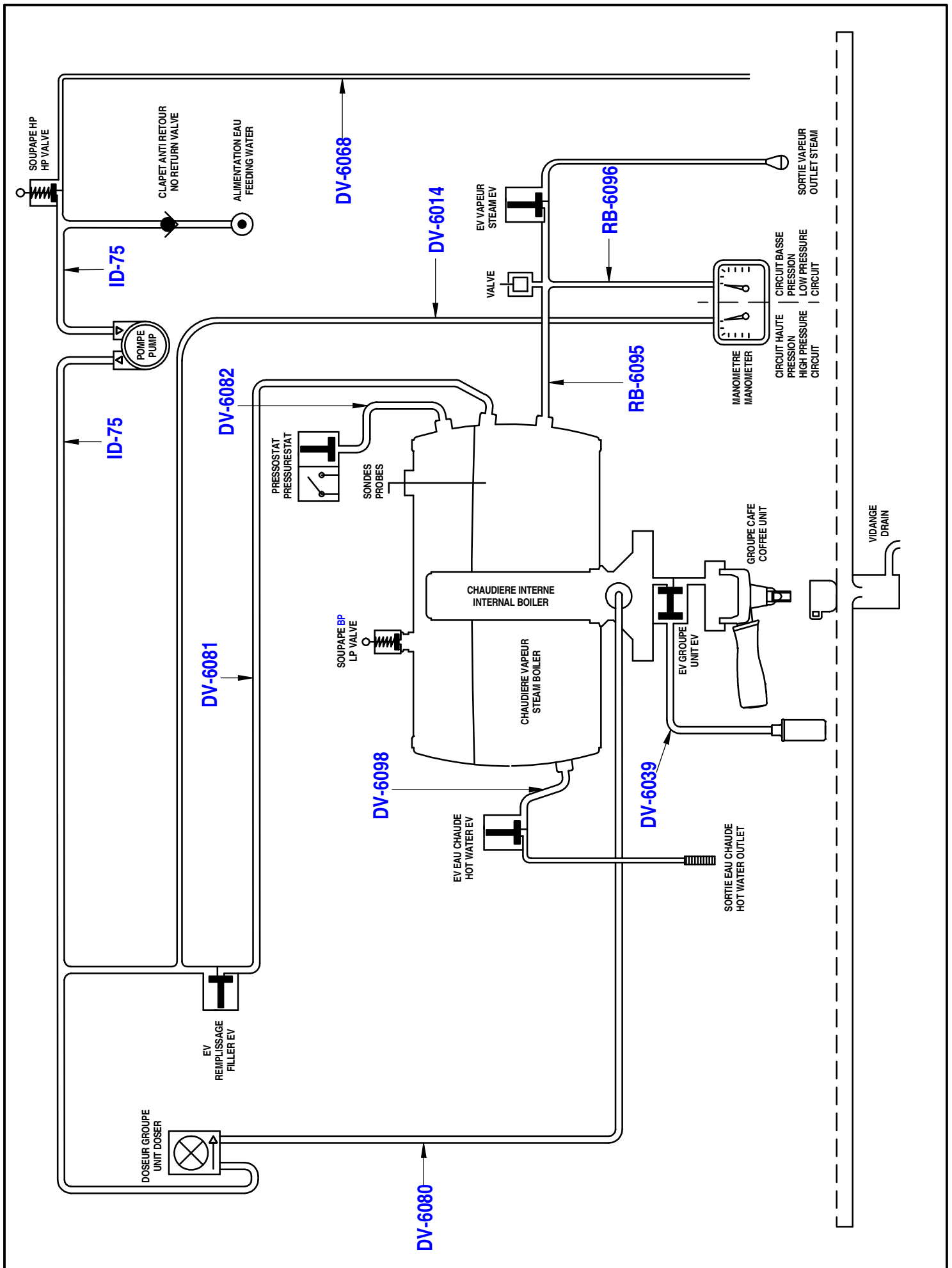


PLANCHE - PLATE 302

REF	ELUX	DESIGNATIONS FR	DESIGNATIONS GB
CN-625		TUBE FLEXIBLE ARME	<i>FLEXIBLE PIPE</i>
DV-6014		TUBE CUIVRE MANOMETRE HP	<i>PIPE HP MANOMETER</i>
DV-6039		TUBE DE DECOMPRESSION	<i>PIPE GROUP DISCHARGE</i>
DV-6066		TUBE CUIVRE SOUPE HP	<i>PIPE VALVE EXHAUST</i>
DV-6070		TUBE ALIMENTATION 1ER GROUPE	<i>PIPE UNIT FILLING</i>
DV-6071		TUBE ALIMENTATION 2EME GROUPE	<i>PIPE UNIT FILLING</i>
DV-6072		TUBE ALIMENTATION EV EAU CHAUDE	<i>PIPE HOT WATER EV FILLING</i>
DV-6073		TUBE VALVE VAPEUR	<i>PIPE STEAM VALVE</i>
DV-6074		TUBE MANOMETRE BP	<i>PIPE LP MANOMETER</i>
DV-6075		TUBE PRESSOSTAT SEC	<i>PIPE PRESSURESTAT</i>
DV-6076		TUBE DE REMPLISSAGE	<i>PIPE BOILER FILLING</i>
DV-6077		TUBE ALIMENTATION DOSEUR	<i>PIPE DOSER FILLING</i>
DV-6078		TUBE ALIMENTATION VAPEUR DROITE	<i>PIPE RIGHT STEAM FILLING</i>
ID-75		TUBE FLEXIBLE COUDE ARME INOX	<i>FLEXIBLE PIPE</i>

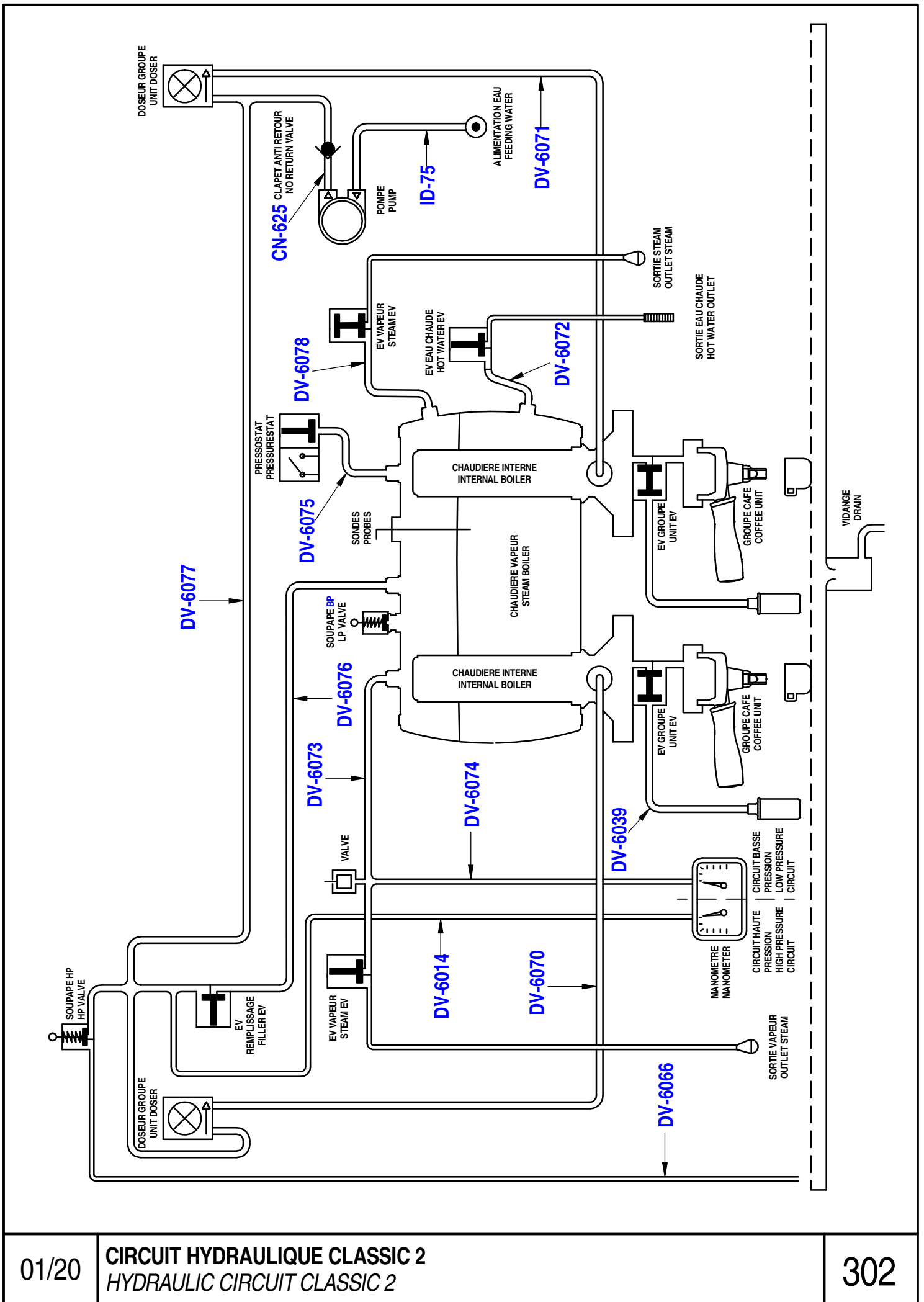


PLANCHE - PLATE 303

REF	ELUX	DESIGNATIONS FR	DESIGNATIONS GB
CN-625		TUBE FLEXIBLE ARME	<i>FLEXIBLE PIPE</i>
DV-6014		TUBE CUIVRE MANOMETRE HP	<i>PIPE HP MANOMETER</i>
DV-6039		TUBE DE DECOMPRESSION	<i>PIPE GROUP DISCHARGE</i>
DV-6066		TUBE CUIVRE SOUPAPE HP	<i>PIPE VALVE EXHAUST</i>
DV-6072		TUBE ALIMENTATION EV EAU CHAUDE	<i>PIPE HOT WATER EV FILLING</i>
DV-6073		TUBE VALVE VAPEUR	<i>PIPE STEAM VALVE</i>
DV-6074		TUBE MANOMETRE BP	<i>PIPE LP MANOMETER</i>
DV-6078		TUBE ALIMENTATION VAPEUR DROITE	<i>PIPE RIGHT STEAM FILLING</i>
DV-6084		TUBE ALIMENTATION 1ER GROUPE	<i>PIPE UNIT FILLING</i>
DV-6085		TUBE ALIMENTATION 2EME GROUPE	<i>PIPE UNIT FILLING</i>
DV-6086		TUBE ALIMENTATION 3EME GROUPE	<i>PIPE UNIT FILLING</i>
DV-6087		TUBE PRESSOSTAT SEC	<i>PIPE PRESSURESTAT</i>
DV-6088		TUBE DE REMPLISSAGE	<i>PIPE BOILER FILLING</i>
DV-6089		TUBE ALIMENT. ENTRE DOSEURS	<i>PIPE DOSER FILLING</i>
DV-6090		TUBE ALIMENTATION DOSEUR	<i>PIPE DOSER FILLING</i>
ID-75		TUBE FLEXIBLE COUDE ARME INOX	<i>FLEXIBLE PIPE</i>

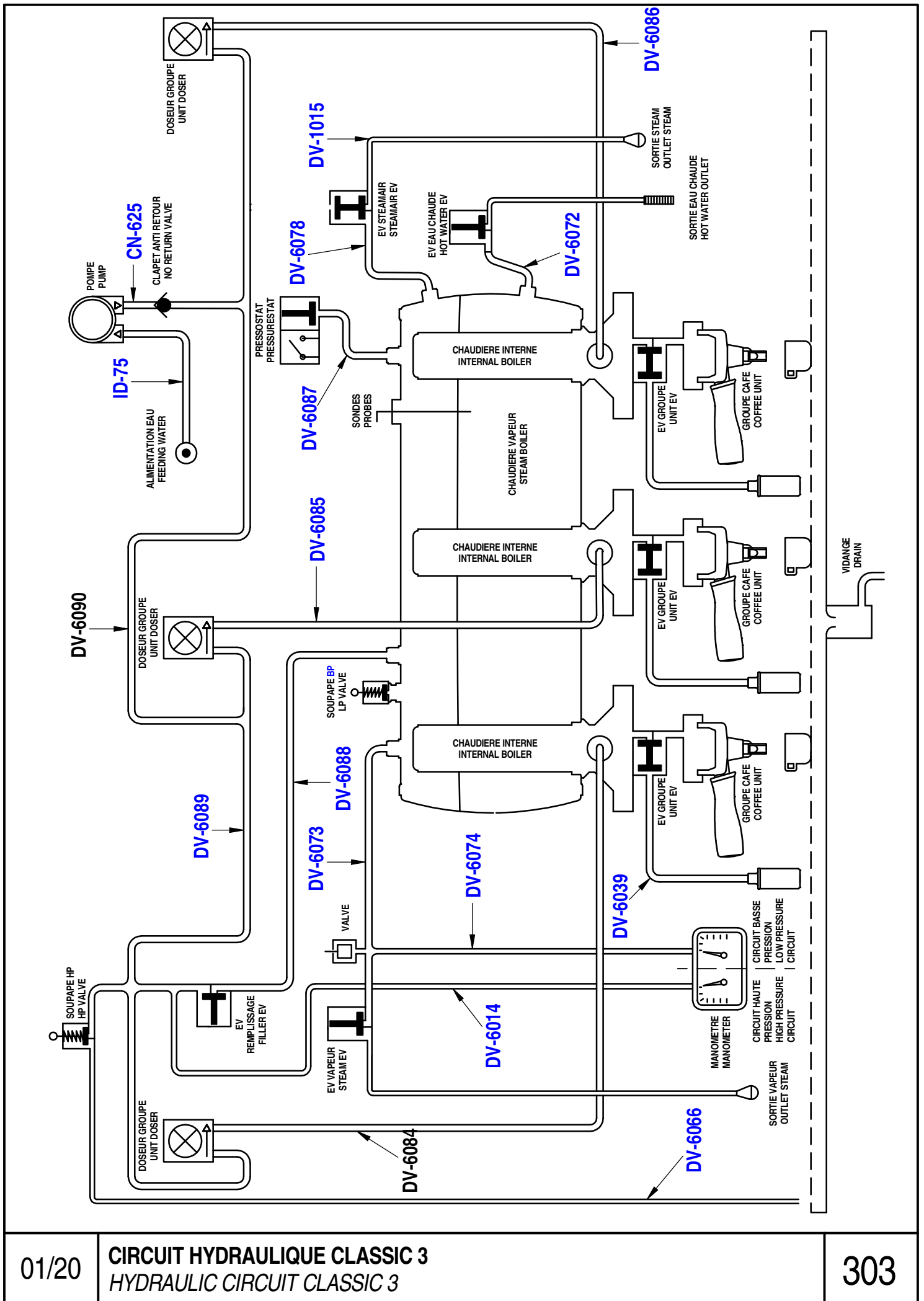


PLANCHE - PLATE 310

REF	ELUX	DESIGNATIONS FR	DESIGNATIONS GB
20410		RACCORD NOURRICE SIMPLE 3/8M-3/8M	<i>FITTING 3/8M-3/8 M</i>
20951		RACCORD 3/8M-3/8M	<i>FITTING 3/8M-3/8M</i>
20975		RACCORD 1/8 M 1/8 F	<i>FITTING 1/8M-1/8 F</i>
21470		RACCORD DROIT 3/4M TETINE	<i>FITTING 3/4</i>
23751	0UN088	AXE DE BANJO 1/8	<i>BANJO SCREW</i>
27845	0UN144	JOINT TORIQUE 2.62 X 17.13	<i>O-RING 2.62 X 17.13</i>
28134	0UN146	JOINT TORIQUE 2X9,5 FKM 80SH	<i>GASKET 2X9,5</i>
51857		RONDELLE EVENTAILLE M27 ZINGUE	<i>WASHER</i>
B-40		CABLE NAPPE BOITIER	<i>ELECTRICAL BOXES WIRE</i>
B-50B		COLLECTEUR DE VIDANGE	<i>DRAIN COLLECTOR</i>
B-53		ECROU CHROME BLOCAGE BASSINE	<i>OVERFLOW-TRAY LOCK NUT</i>
CH-16		JOINT CUIVRE RECUIT 3/8	<i>WASHER - COPPER - 3/8</i>
CN-544		RONDELLE ACIER ZN 17 x 28 x 2	<i>WASHER</i>
CN-663	0UN058	CLAPET ANTI RETOUR COMPACT	<i>VALVE - NON-RETURN</i>
DO-191	0UN136	SOUPAPE H.P. COMPLETE	<i>COMPLET H.P. VALVE</i>
NA-18		ECROU LAITON 3/8 6 mm	<i>3/8 NUT</i>
RB-6009		TUBE ENTREE D'EAU PONY 2	<i>WATER INLET PIPE PONY 2</i>

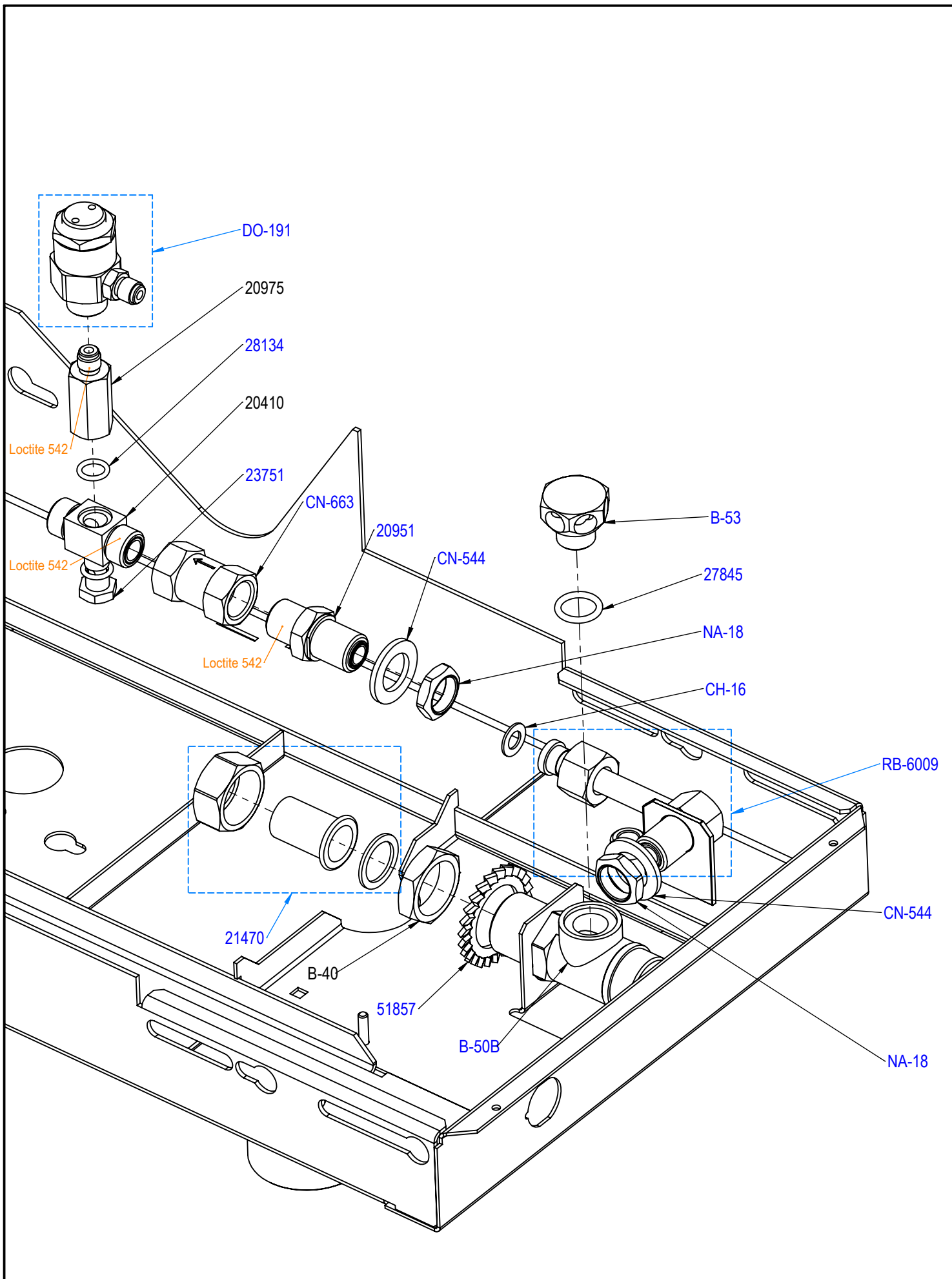


PLANCHE - PLATE 311

REF	ELUX	DESIGNATIONS FR	DESIGNATIONS GB
20951		RACCORD 3/8M-3/8M	<i>FITTING 3/8M-3/8M</i>
27845	0UN144	JOINT TORIQUE 2.62 X 17.13	<i>O-RING 2.62 X 17.13</i>
51398		CONTRE ECROU M14 X 125	<i>LOCKNUT M14 X 125</i>
51857		RONDELLE EVENTAILLE M27 ZINGUE	<i>WASHER</i>
B-40		CABLE NAPPE BOITIER	<i>ELECTRICAL BOXES WIRE</i>
B-50B		COLLECTEUR DE VIDANGE	<i>DRAIN COLLECTOR</i>
B-53		ECROU CHROME BLOCAGE BASSINE	<i>OVERFLOW-TRAY LOCK NUT</i>
CN-347A		RACCORD D'ALIM. 3/8 - 3/8 MM	<i>FITTING - 3/8 X 3/8 -</i>
CN-544		RONDELLE ACIER ZN 17 x 28 x 2	<i>WASHER</i>
CN-648	0UN109	COMPTEUR VOLUMETRIQUE	<i>WHOLE W.DOSING DEVICE</i>
CN-663	0UN058	CLAPET ANTI RETOUR COMPACT	<i>VALVE - NON-RETURN</i>
CN-898		RACCORD TE 3/8-3/8-1/4	<i>TEE 3/8-3/8-1/4</i>
NA-18		ECROU LAITON 3/8 6 mm	<i>3/8 NUT</i>
TC-164		COUDE 3/4 EN LAITON	<i>DRAIN COLLECTOR ELBOW</i>

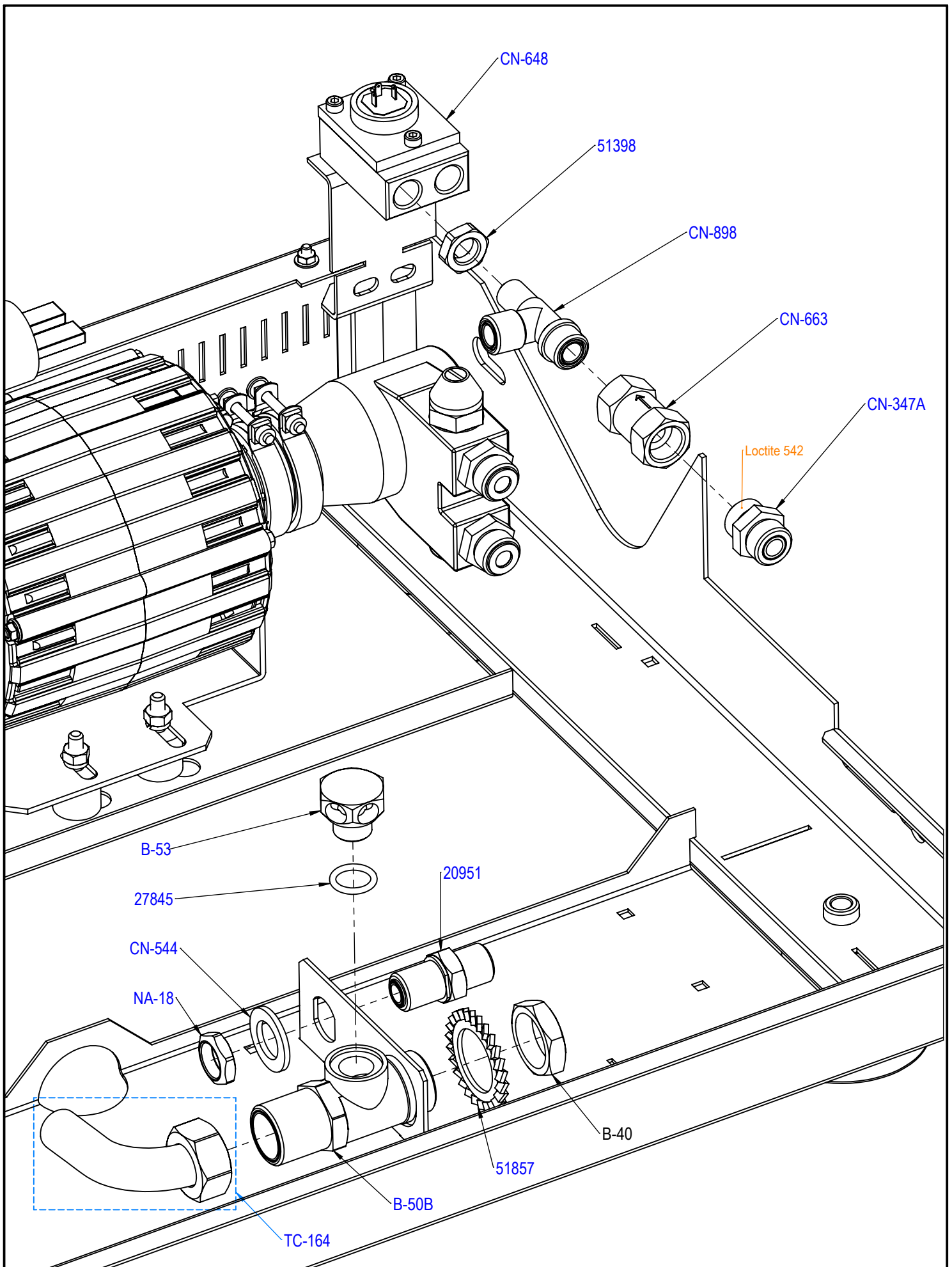


PLANCHE - PLATE 320

REF	ELUX	DESIGNATIONS FR	DESIGNATIONS GB
37205		BY PASS POUR POMPE FLUIDOTECH	BY PASS FOR FLUIDOTECH PUMP
37206		POMPE ROTATIVE 100L/H SANS PLOMB	UNLEADED PUMP 100L/H
37207	OUN056	POMPE ROTATIVE 200L/H SANS PLOMB	UNLEADED PUMP 200L/H
37217		ENTRETOISE POUR ACCOUP. MOTEUR-POMPE	SPACER 48 YZ
37218		ACCOUPEMENT MALE/FEMELLE MOTEUR-POMPE	ACCOUPEMENT MALE/FEMALE
37219		COLLIER POUR POMPE FLUIDOTECH	CLAMP
37222		KIT ACCOUPEMENT MOTEUR POMPE	GANGING RING KIT
37228		MOTEUR POMPE 120W 220-230V 50-60Hz UL	PUMP MOTOR 120W 220-230V 50-60Hz UL
37229		MOTEUR POMPE 165W 220-230V 50-60Hz UL	PUMP MOTOR 165W 220-230V 50-60Hz UL
37242		MOTEUR POMPE 120W 110V 60Hz - UL	PUMP MOTOR 120W 110V 60Hz - UL
37243		MOTEUR POMPE 120W 220-230V 50-60Hz	PUMP MOTOR 120W 220-230V 50-60Hz
37244		MOTEUR POMPE 165W 220-230V 50-60Hz	PUMP MOTOR 165W 220-230V 50-60Hz
51655		RONDELLE GROWER DE 6	WASHER 6
AE-13A		ECROU INOX Hu 6-100	NUT M6
CH-16		JOINT CUIVRE RECUIT 3/8	WASHER - COPPER - 3/8
CN-347A		RACCORD D'ALIM. 3/8 - 3/8 MM	FITTING - 3/8 X 3/8 -
CN-347C		RACCORD D'ALIM 3/8 3/8	FITTING 3/8 3/8
DO-19		PLOT APB 20-20	SILENTBLOC
DO-45		VIS ACIER ZN TH 6 X 8	SCREW 6 X 8

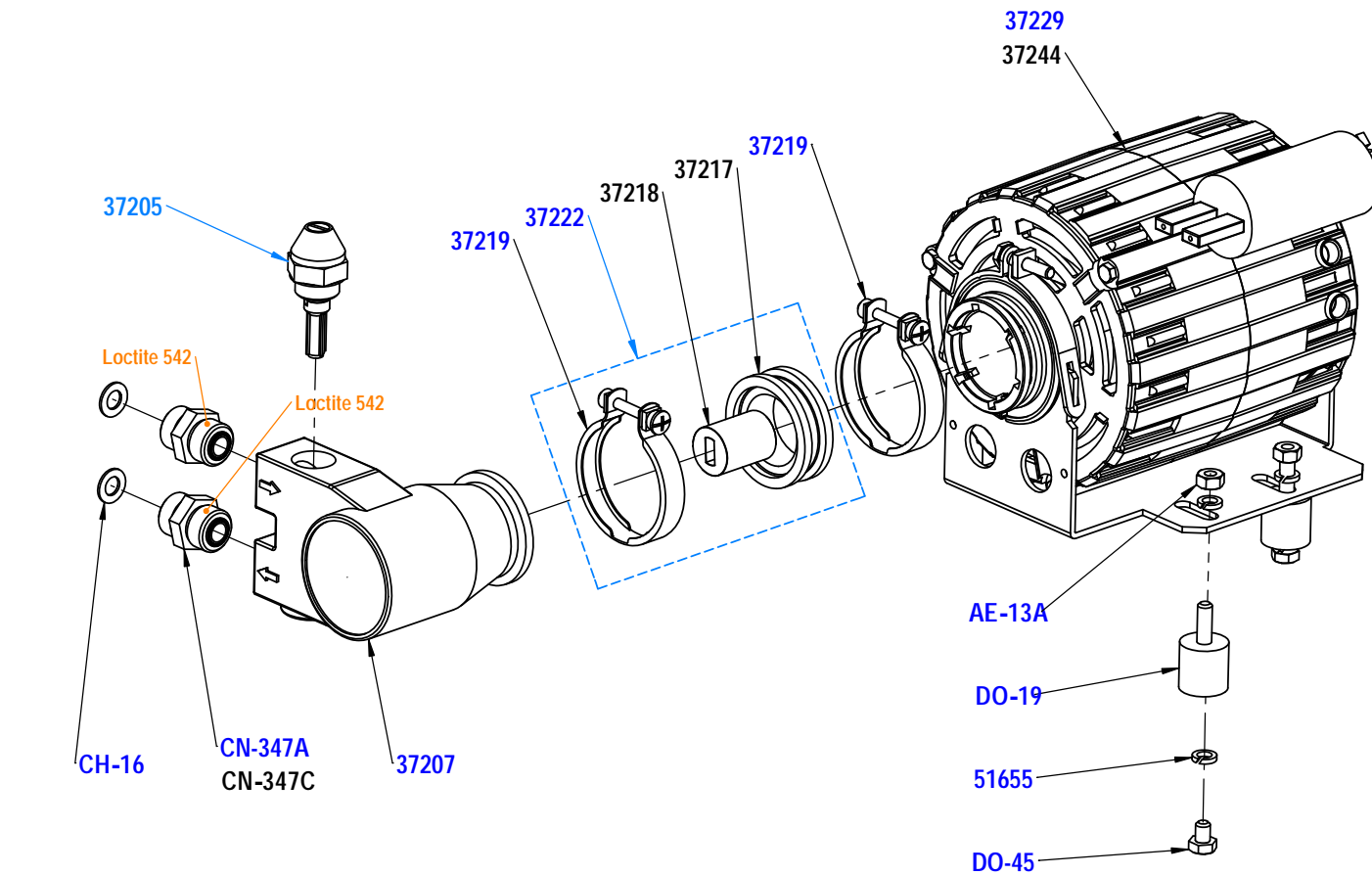
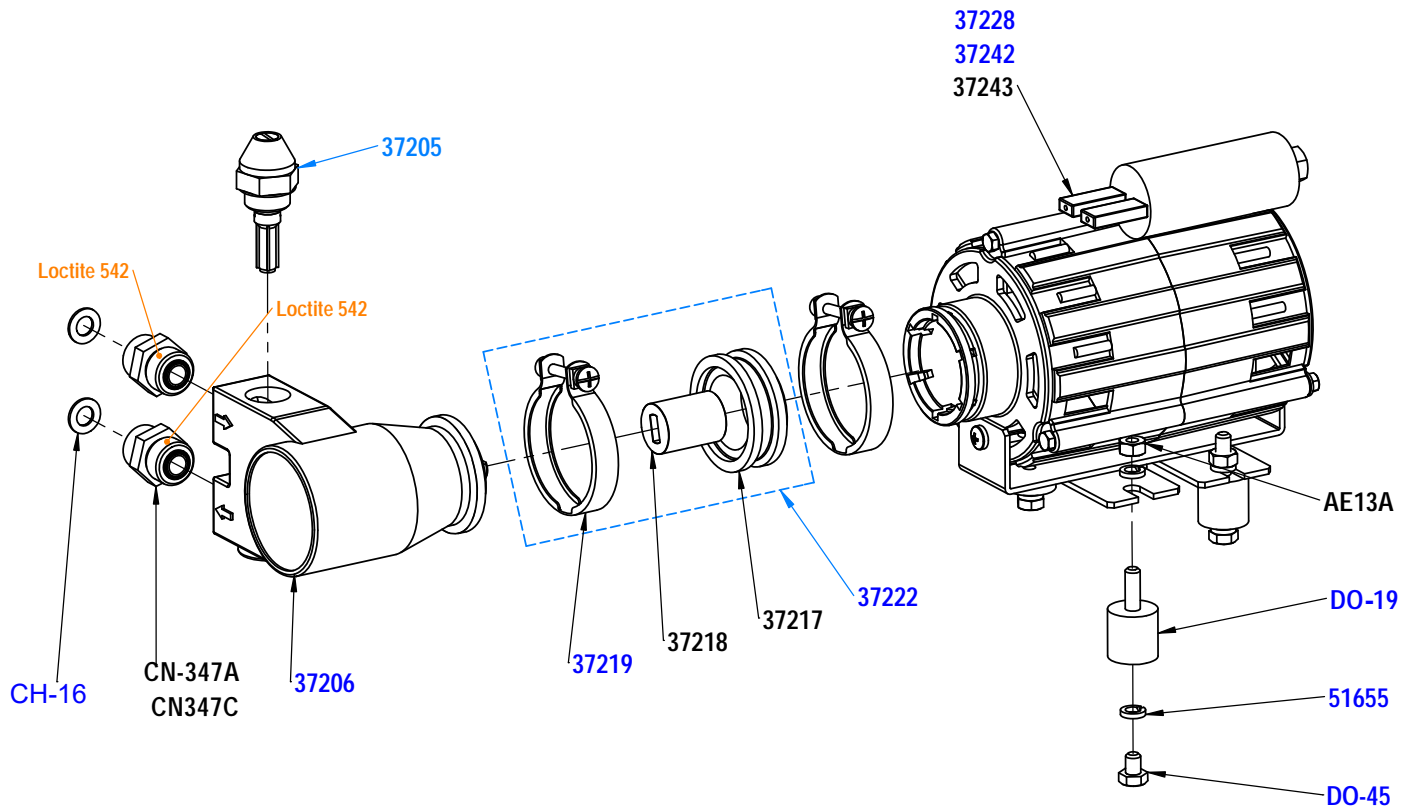


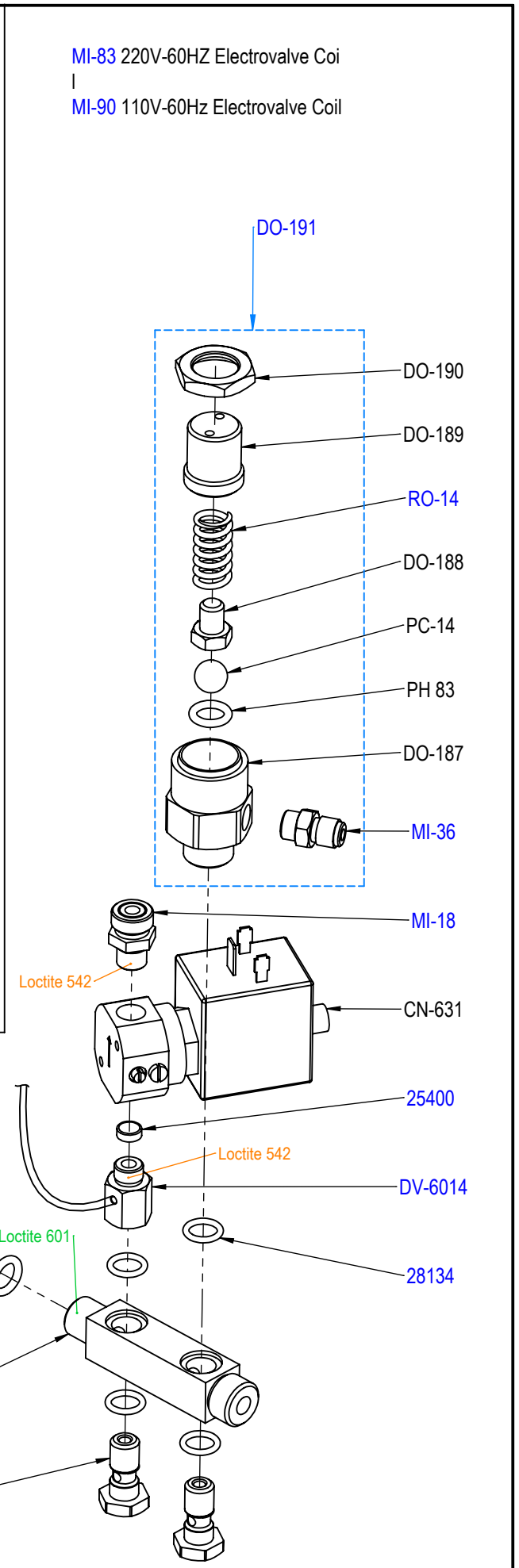
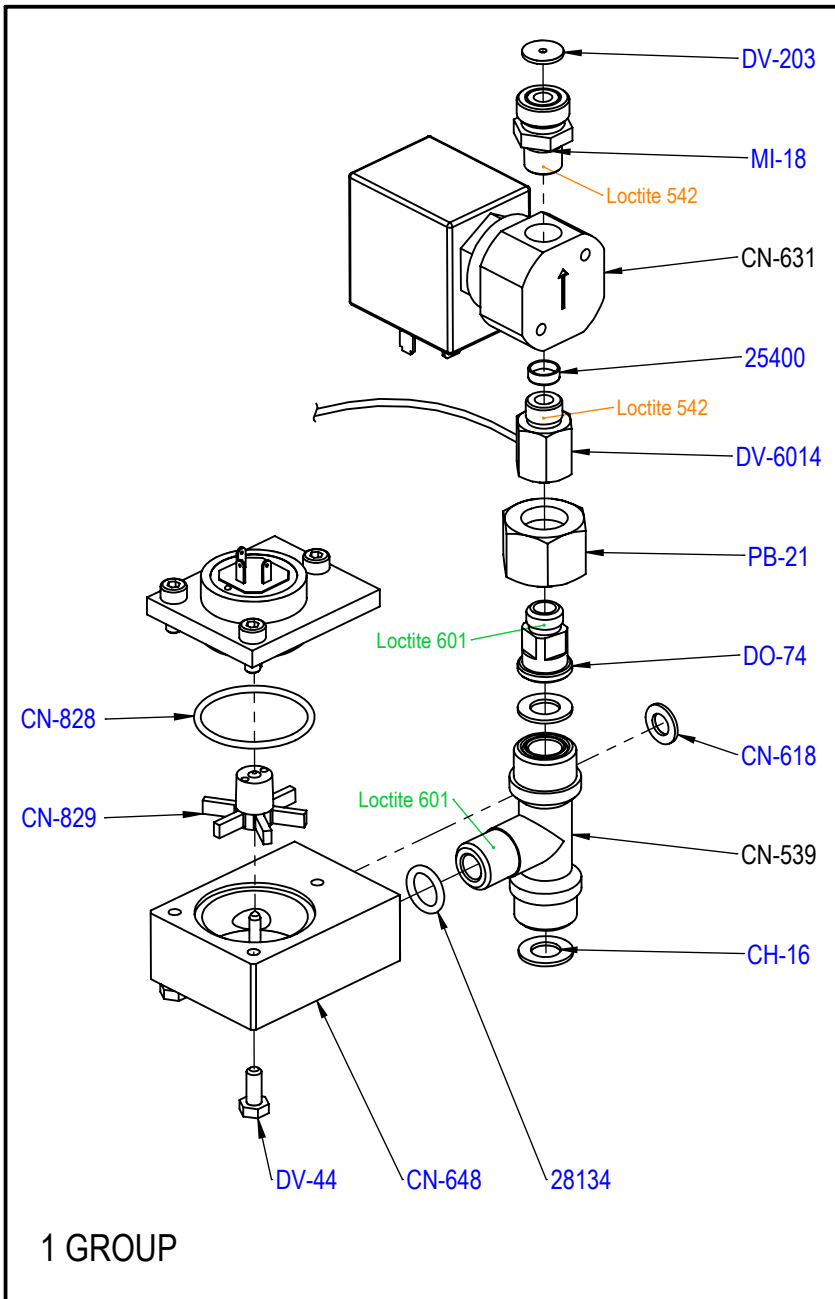
PLANCHE - PLATE 330

REF	ELUX	DESIGNATIONS FR	DESIGNATIONS GB
23751	0UN088	AXE DE BANJO 1/8	BANJO SCREW
25400	0UN124	FILTRE INOX	FILTER
28134	0UN146	JOINT TORIQUE 2X9,5 FKM 80SH	GASKET 2X9,5
CH-16		JOINT CUIVRE RECUIT 3/8	WASHER - COPPER - 3/8
CN-539		TE 3/8 3/8 1/4	TEE 3/8 3/8 1/4
CN-618		JOINT CUIVRE 1/4	GASKET - 1/4
CN-631	0UN076	EV 2V REGL. 230V-50Hz	ELECTROVALVE 2W ADJ. 230V-50Hz
CN-648	0UN109	COMPTEUR VOLUMETRIQUE	WHOLE W.DOSING DEVICE
CN-828	0UN006	JOINT TORIQ DESSUS DOSEUR EAU	GASKET - DOSING DEVICE
CN-829	0UN086	TURBINE DE COMPTEUR VOLUMETR.	TURBINE
DO-187		CORPS DE SOUPAPE	VALVE BODY
DO-188		TIGE DE SOUPAPE	VALVE PISTON
DO-189		ECROU DE SOUPAPE	VALVE NUT
DO-190		CONTRE ECROU M18 X 100	NUT M18 X 100
DO-191	0UN136	SOUPAPE H.P. COMPLETE	COMPLET H.P. VALVE
DO-74		RACCORD SOUPAPE HP	H.P VALVE CONNECTION
DV-203		JOINT PLAT CUIVRE 1/4 D:2mm	WASHER 1/4 D:2
DV-44		VIS TH M4X10 ACIER	SCREW M4x10
DV-601		TUBE CUIVRE MANOMETRE HP	PIPE HP MANOMETER
MI-18		RACCORD MM 1/4 - 1/8 G	FITTING - 1/8 x 1/4
MI-36		RACCORD 1/8M 1/8M	CONNECTION 1/8
PB-21		ECROU 3/8 LAITON	FITTING 3/8
PC-14		BILLE INOX POLIE DE 11	STAINLESS STEEL BALL DIA 11
PH-78		JOINT TORIQUE 2,62X9,13 EPDM	O RING - 9,13 X 2,62
PH-83		JOINT TORIQUE 2,62X9,19 PTFE	O RING 9,19 X 2,62 PTFE
RO-14		RESSORT F20/10L26.5 D13 P5	SPRING

MI-83 220V-60HZ Electrovalve Coi

|

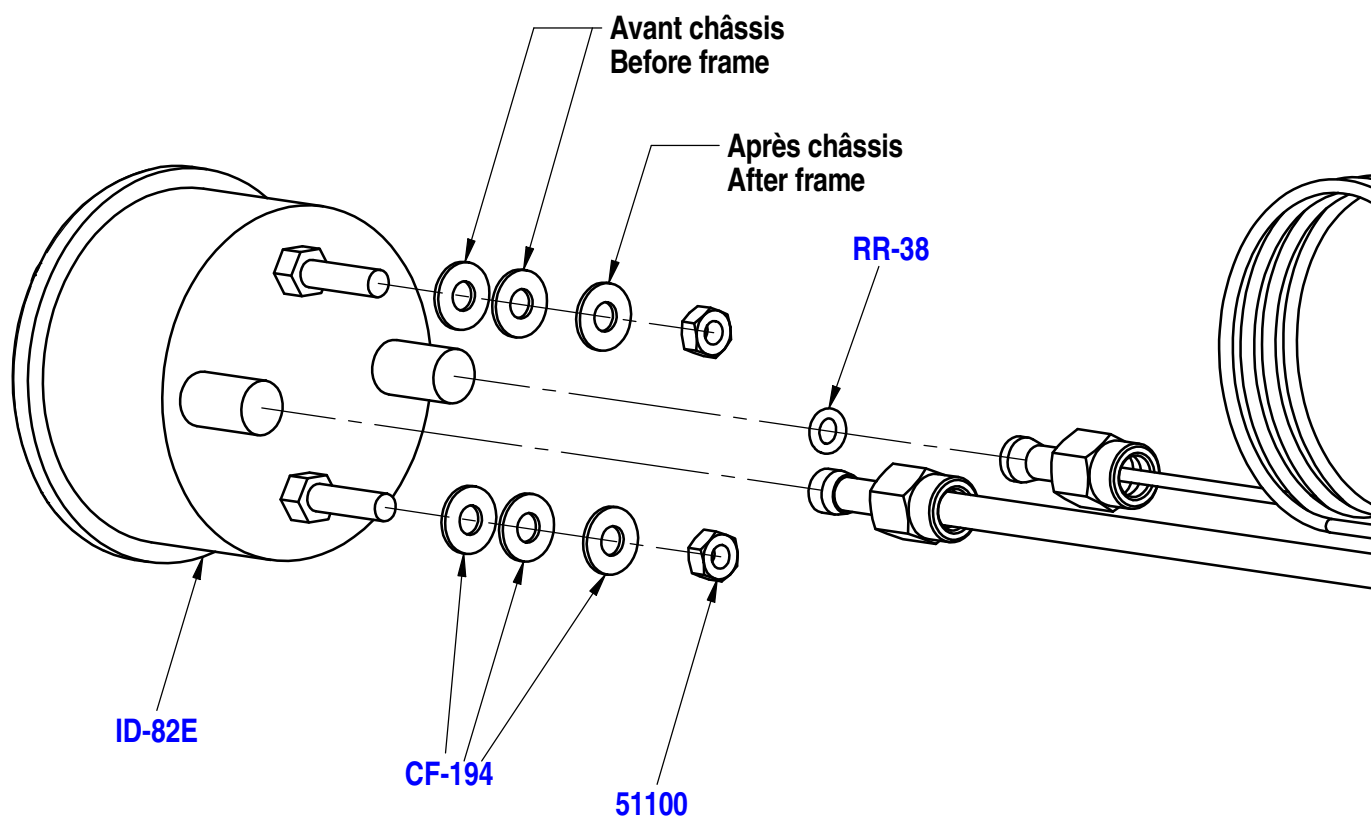
MI-90 110V-60Hz Electrovalve Coil



PLANCHE/PLATE : 335

REF	ELUX	DESIGNATION FR	DESIGNATION EN
51100		ECROU M5 INOX	NUT M5
CF-194		RONDELLE LAITON DE 5 MOYENNE	WASHER
ID-82E	0UN101	MANOMETRE DOUBLE 3,5 x 20 B.	MANOMETER
RR-38	0UN119	JOINT TORIQUE 1,78X4,48 EPDM	GASKET - 4,48 X 1,78

1GR



2 & 3GR

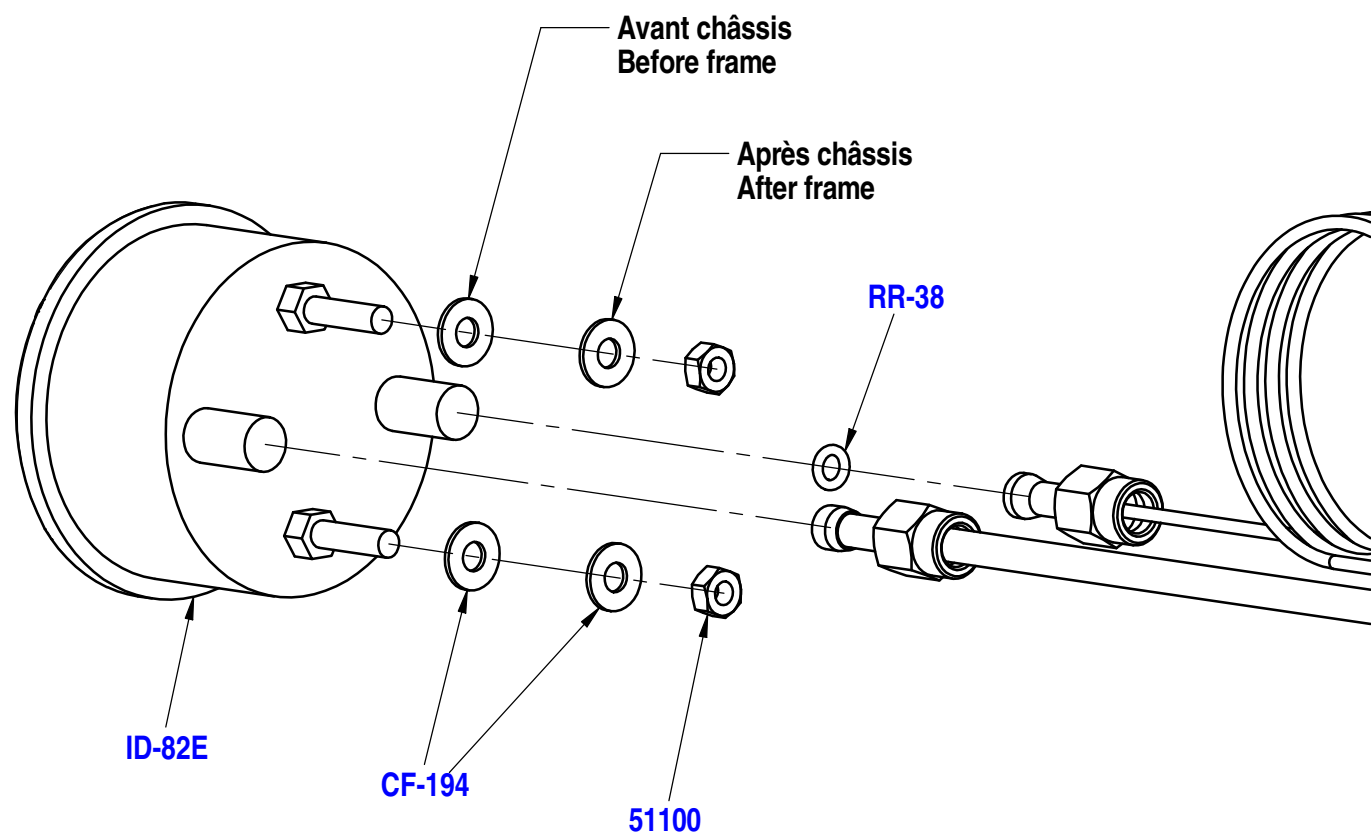


PLANCHE - PLATE 340

REF	ELUX	DESIGNATIONS FR	DESIGNATIONS GB
26502		ENSEMBLE NIVEAU SONDE 3/8	LEVEL PROBE 3/8 SET
26510		SONDE DE NIVEAU L=130	LEVEL PROBE
27200		SOUPAPE VAPEUR BP 3,5 BARS	LP VALVE 3.5 BARS
27220		SOUPAPE VAPEUR BP 3,5 BARS NSF	LP VALVE 3.5 BARS NSF
29032		CHAUDIERE INJECTION 2 GROUPES	2 UNIT BOILER
29033		CHAUDIERE INJECTION 3 GROUPES	3 UNIT BOILER
29081		CHAUDIERE INJECTION 1 GROUPE	1 UNIT BOILER
CH-17		JOINT CUIVRE RECUIT 1/2	WASHER - COPPER - 1/2
CN-670		SONDE NIVEAU BAS INOX L=130	LEVEL PROBE L=130
DV4001		TUBE TEFLON ALIM. GROUPE L:60	UNIT FEEDING TUBE
ID-23		RACCORD ALIM.1/2M-M	FITTING 1/2-1/2
ID-23A		RACCORD ALIM.1/2M-M SS PLOMB	FITTING 1/2-1/3 ECO BRASS
NA-69A		PORTE SONDE EN LAITON	PROBE HOLDER CONNECTION
NA-70		BLOCAGE ELECTRODE NIVEAU AUTO	LEVEL PROBE COMPRESSION NUT
NA-71		PORTE-ELECTRODE EN TEFLON	LEVEL PROBE INSULATION
PA-96		JOINT TORIQUE 1,78X12,42 EPDM	GASKET 1.78 X 12.42
TG-7022		PROTECTION SOUPAPE	VALVE PROTECTION
TG-7023		COUVERCLE PROTECTION SOUPAPE	COVER VALVE PROTECTION

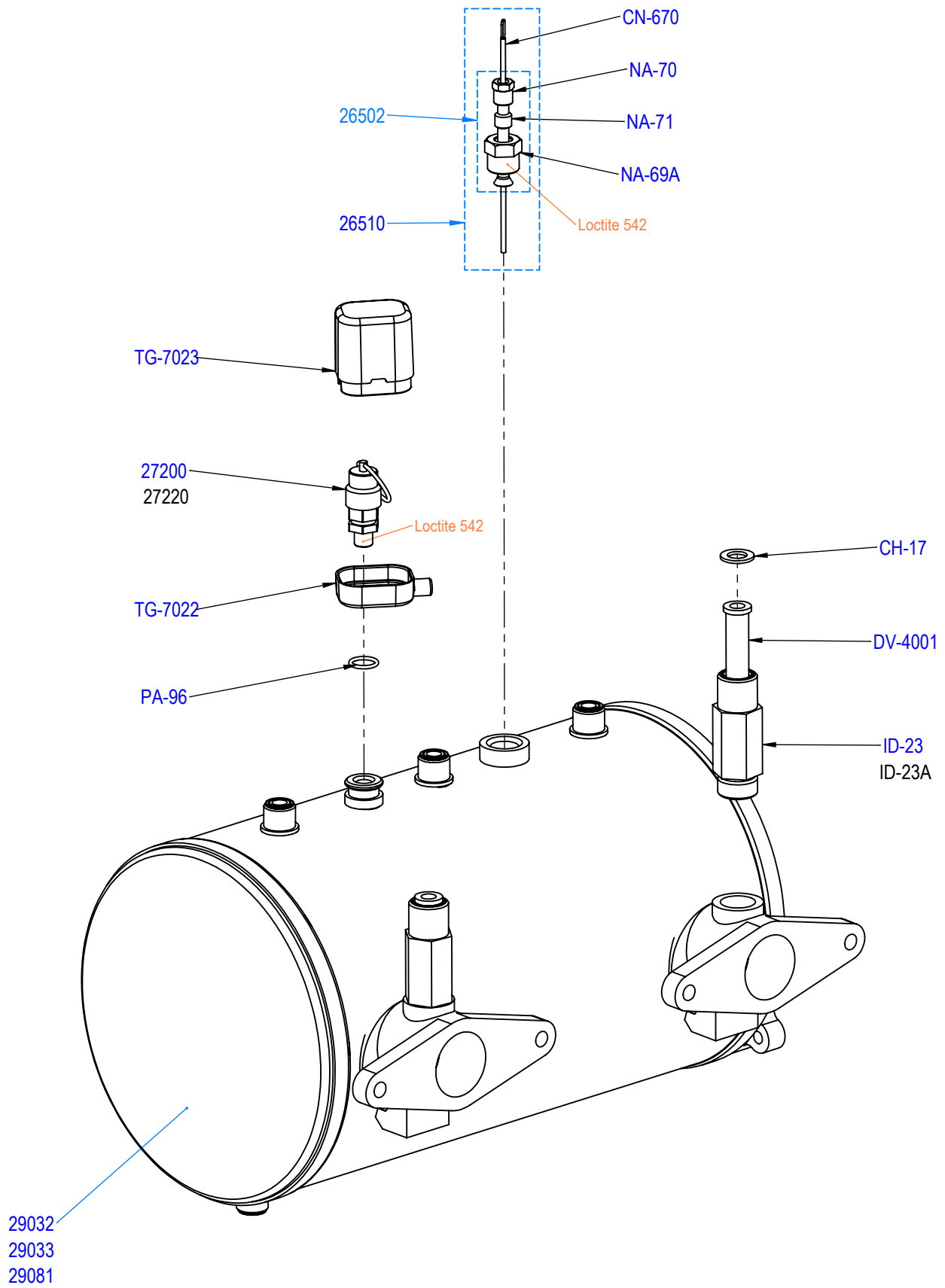
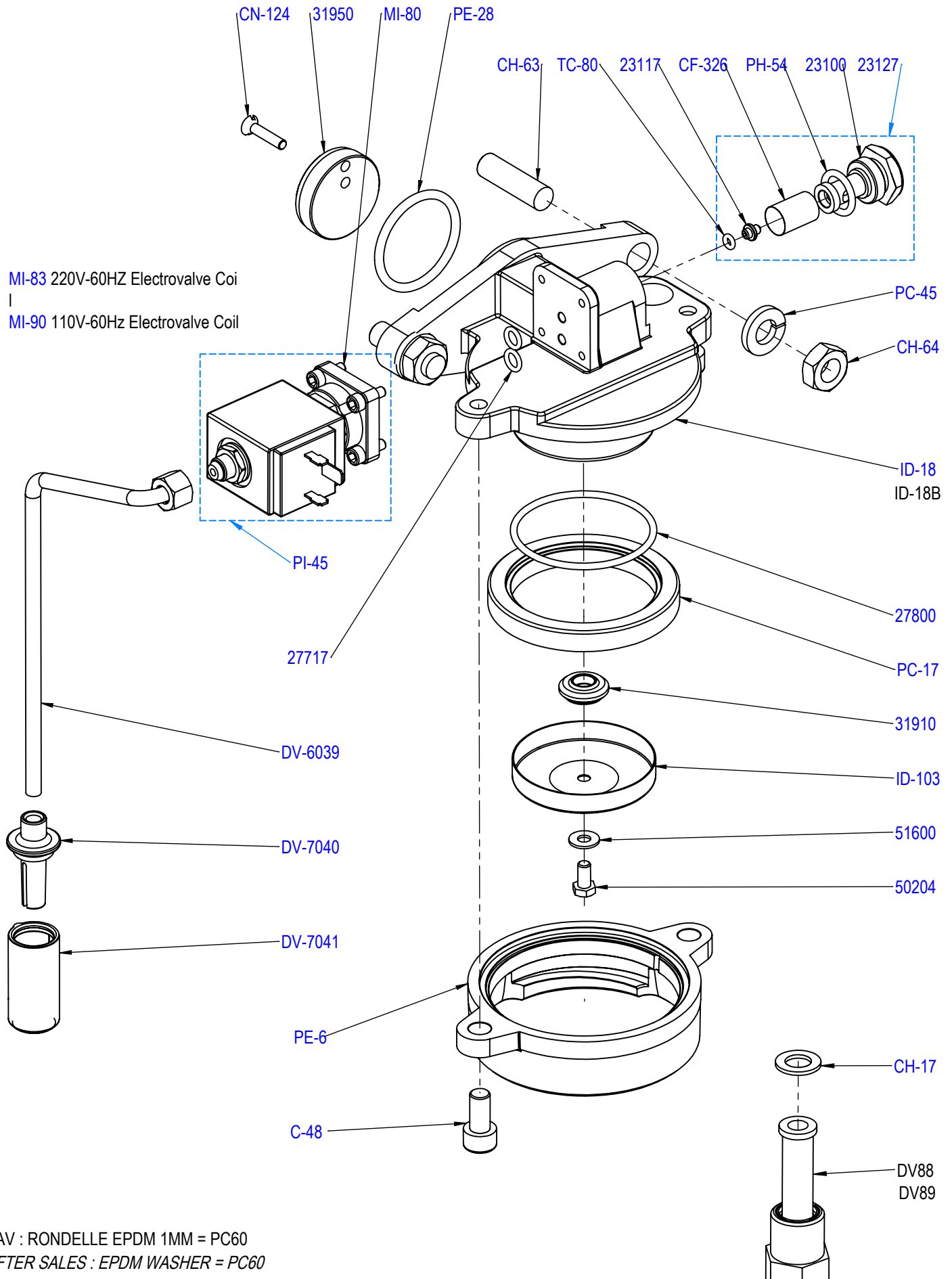


PLANCHE - PLATE 344

REF	ELUX	DESIGNATIONS FR	DESIGNATIONS GB
23100		PORTE GICLEUR	GICLUER HOLDER
23117	0UN134	GICLEUR DIAM:0,7	JET DIAM. 0.7
23127	0UN131	KIT PORTE GICLEUR Ø0.7	GICLUER Ø 0.7 KIT
27717		JOINT TORIQUE 1,78 X 6,07	GASKET 1.78 X 6.07
27800	0UN122	JOINT TORIQUE 2.62 X 52.07 NBR	GASKET 2.62 X 52.07
31910		RONDELLE DIFFUSEUR GROUPE	WASHER DIFFUSER
31950		ISOLANT TEFLON BLANC ep:10mm	INSULATOR
50204		VIS TH M5 x 10 INOX	SCREW M5 X 10
51600		RONDELLE INOX MOYENNE DE 5	WASHER
C-48		VIS TCHC M8X16 INOX	SCREW M8 X 16
CF-326		FILTRE INOX D.int=12 H=17,5	FILTER D:12 H:17,5
CH-17		JOINT CUIVRE RECUIT 1/2	WASHER - COPPER - 1/2
CH-63		GOUJON ACIER NICKELE M10	SCREW M10 -STUD
CN-124		VIS INOX TF 4 x 20	SCREW M4 X 20
DV-6039		TUBE DE DECOMPRESSION	PIPE GROUP DISCHARGE
DV-7040		EMBOUT DE DECOMPRESSION	DECOMPRESSION TIP
DV-7041		CORPS EMBOUT DE DECOMPRESSION	DECOMPRESSION TIP HOUSING
DV-88		BOUCHON	PLUG
DV-89		TUBE ALIM. POUR PHOENIX-R	MIXING TUBE-TEFLON-GROUP
ID-103	0UN104	FILTRE TASSOIR	PACKER FILTER
ID-18		CORPS DE GROUPE INJECTION	GROUP BODY - INJECTION
ID-18B		CORPS DE GROUPE INJECTION SS PLOMB	GROUP BODY - INJECTION ECO BRASS
MI-80		VIS TCHC M4x12 INOX	SCREW M4 X 12
PC-17	0UN128	JOINT DE COUPE 57 x 75 x 9	HEAD GASKET 9mm
PC-45		RONDELLE GROVER DE 10	WASHER
PC-60		RONDELLE EPDM 1mm	EPDM WASHER 1mm
PE-28	0UN102	JOINT TORIQUE 3,53X36,09 FKM	GASKET - 36.09 x 3.53
PE-6		PORTE COUPE LAITON CHROME	BOWL-HOLDER
PH-54	0UN133	JOINT TORIQUE 2,62X13,95 EPDM	O RING - 13.95 x 2.62
PI-45	0UN096	ELECTROVANNE 3V 220V-230V / 50Hz-60Hz	ELECTROVALVE 220V-230V / 50Hz-60Hz

CE



SAV : RONDELLE EPDM 1MM = PC60
AFTER SALES : EPDM WASHER = PC60

06/20

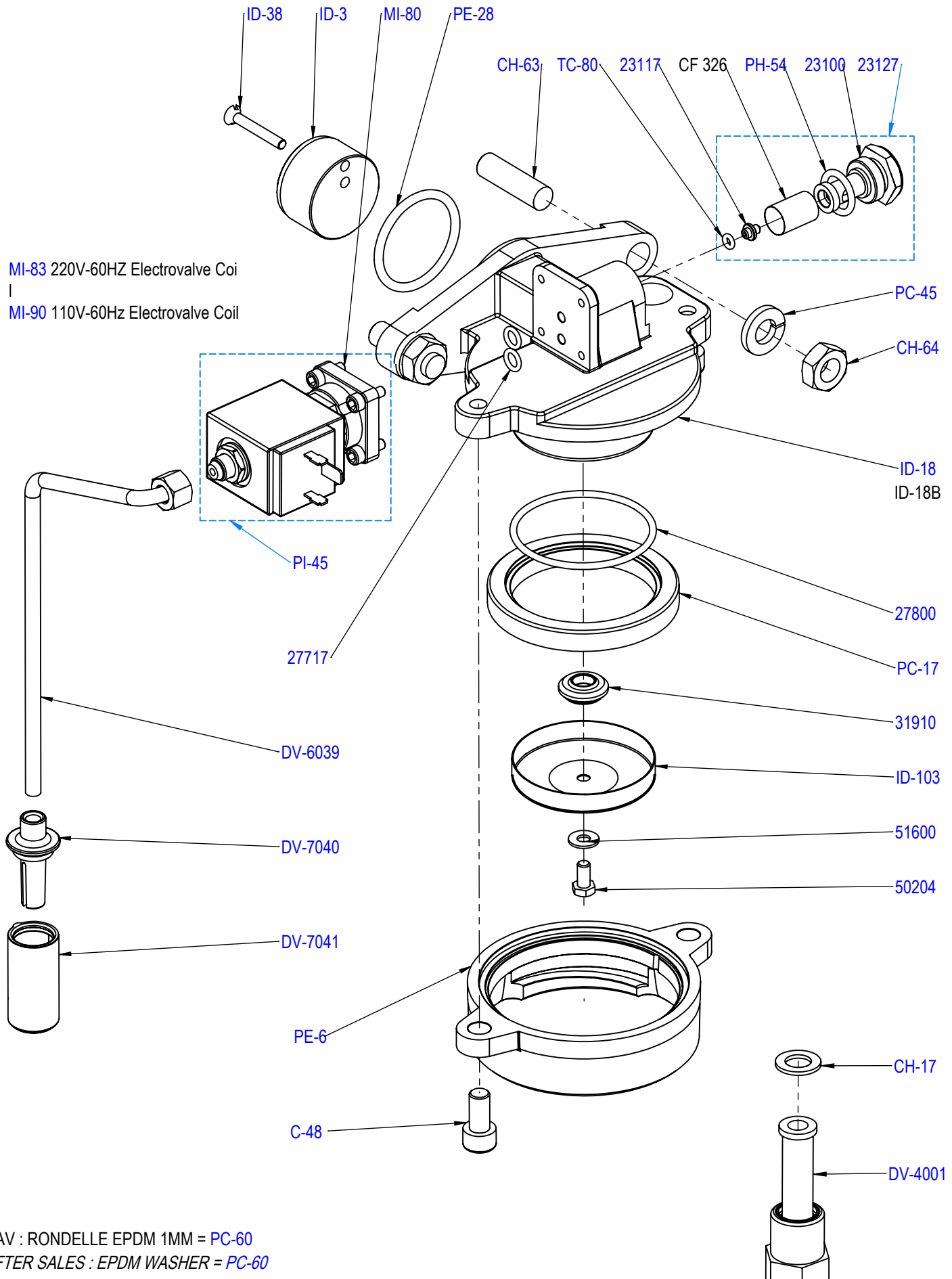
GROUPE CAFE MAESTRO 230V (RL)
230V MAESTRO COFFEE GROUP (RL)

344

PLANCHE - PLATE 345

REF	ELUX	DESIGNATIONS FR	DESIGNATIONS GB
23100		PORTE GICLEUR	GICLUER HOLDER
23117	0UN134	GICLEUR DIAM:0,7	JET DIAM. 0.7
23127	0UN131	KIT PORTE GICLEUR Ø0.7	GICLUER Ø 0.7 KIT
27717		JOINT TORIQUE 1,78 X 6,07	GASKET 1.78 X 6.07
27800	0UN122	JOINT TORIQUE 2.62 X 52.07 NBR	GASKET 2.62 X 52.07
31910		RONDELLE DIFFUSEUR GROUPE	WASHER DIFFUSER
50204		VIS TH M5 x 10 INOX	SCREW M5 X 10
51600		RONDELLE INOX MOYENNE DE 5	WASHER
C-48		VIS TCHC M8X16 INOX	SCREW M8 X 16
CF-326		FILTRE INOX D.int=12 H=17,5	FILTER D:12 H:17,5
CH-17		JOINT CUIVRE RECUIT 1/2	WASHER - COPPER - 1/2
CH-63		GOUJON ACIER NICKELE M10	SCREW M10 -STUD
DV-4001		TUBE TEFLON ALIM. GROUPE L:60	UNIT FEEDING TUBE
DV-6039		TUBE DE DECOMPRESSION	PIPE GROUP DISCHARGE
DV-7040		EMBOUT DE DECOMPRESSION	DECOMPRESSION TIP
DV-7041		CORPS EMBOUT DE DECOMPRESSION	DECOMPRESSION TIP HOUSING
ID-103	0UN104	FILTRE TASSOIR	PACKER FILTER
ID-18		CORPS DE GROUPE INJECTION	GROUP BODY - INJECTION
ID-18B		CORPS DE GROUPE INJECTION SS PLOMB	GROUP BODY - INJECTION ECO BRASS
ID-3		ISOLANT TEFLON BLANC ep:21mm	INSULATOR
ID-38		VIS INOX TF 4 x 30	SCREW M4 X 30
MI-80		VIS TCHC M4x12 INOX	SCREW M4 X 12
PC-17	0UN128	JOINT DE COUPE 57 x 75 x 9	HEAD GASKET 9mm
PC-45		RONDELLE GROVER DE 10	WASHER
PC-60		RONDELLE EPDM 1mm	EPDM WASHER 1mm
PE-28	0UN102	JOINT TORIQUE 3,53X36,09 FKM	GASKET - 36.09 x 3.53
PE-6		PORTE COUPE LAITON CHROME	BOWL-HOLDER
PH-54	0UN133	JOINT TORIQUE 2,62X13,95 EPDM	O RING - 13.95 x 2.62
PI-45	0UN096	ELECTROVANNE 3V 220V-230V / 50Hz-60Hz	ELECTROVALVE 220V-230V / 50Hz-60Hz

CE



06/20

GROUPE CAFE MAESTRO 230V (STANDARD)
230V MAESTRO COFFEE GROUP (STANDARD)

345

PLANCHE - PLATE 346

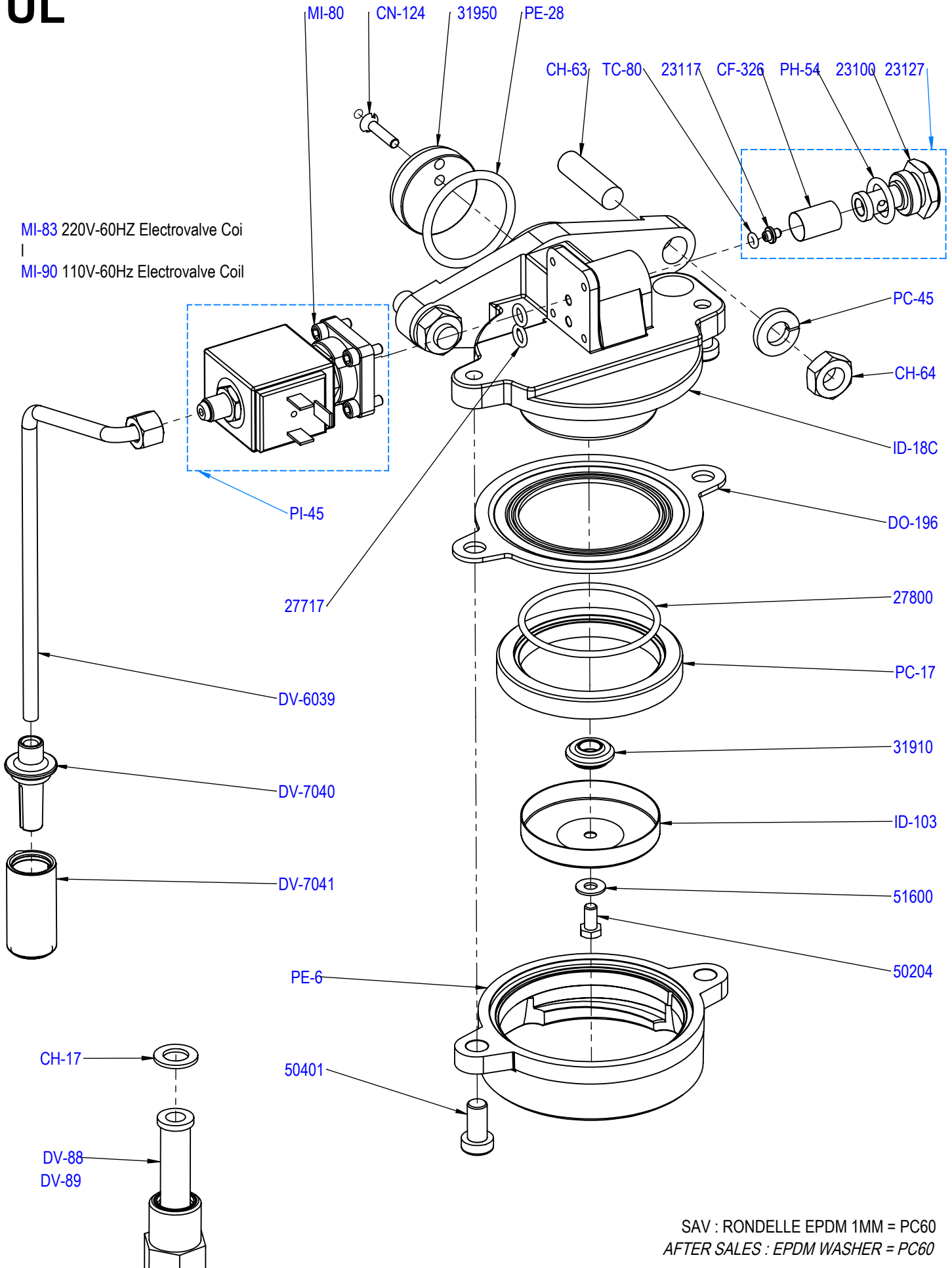
REF	ELUX	DESIGNATIONS FR	DESIGNATIONS GB
23100		PORTE GICLEUR	GICLUER HOLDER
23117	0UN134	GICLEUR DIAM:0,7	JET DIAM. 0.7
23127	0UN131	KIT PORTE GICLEUR Ø0.7	GICLUER Ø 0.7 KIT
27717		JOINT TORIQUE 1,78 X 6,07	GASKET 1.78 X 6.07
27800	0UN122	JOINT TORIQUE 2.62 X 52.07 NBR	GASKET 2.62 X 52.07
31910		RONDELLE DIFFUSEUR GROUPE	WASHER DIFFUSER
31950		ISOLANT TEFLON BLANC ep:10mm	INSULATOR
50204		VIS TH M5 x 10 INOX	SCREW M5 X 10
50401		VIS TCHC TETE BASSE M8X16 INOX	S.STEEL SCREW M8 X 16
51600		RONDELLE INOX MOYENNE DE 5	WASHER
CF-326		FILTRE INOX D.int=12 H=17,5	FILTER D:12 H:17,5
CH-17		JOINT CUIVRE RECUIT 1/2	WASHER - COPPER - 1/2
CH-63		GOUJON ACIER NICKELE M10	SCREW M10 -STUD
CN-124		VIS INOX TF 4 x 20	SCREW M4 X 20
DO-196		RONDELLE ENTRETOISE 2MM	WASHER SPACER 2 MM
DV-6039		TUBE DE DECOMPRESSION	PIPE GROUP DISCHARGE
DV-7040		EMBOUT DE DECOMPRESSION	DECOMPRESSION TIP
DV-7041		CORPS EMBOUT DE DECOMPRESSION	DECOMPRESSION TIP HOUSING
DV-88		BOUCHON	PLUG
DV-89		TUBE ALIM. POUR PHOENIX-R	MIXING TUBE-TEFLON-GROUP
ID-103	0UN104	FILTRE TASSOIR	PACKER FILTER
ID-18		CORPS DE GROUPE INJECTION	GROUP BODY - INJECTION
MI-80		VIS TCHC M4x12 INOX	SCREW M4 X 12
PC-17	0UN128	JOINT DE COUPE 57 x 75 x 9	HEAD GASKET 9mm
PC-45		RONDELLE GROVER DE 10	WASHER
PC-60		RONDELLE EPDM 1mm	EPDM WASHER 1mm
PE-28	0UN102	JOINT TORIQUE 3,53X36,09 FKM	GASKET - 36.09 x 3.53
PE-6		PORTE COUPE LAITON CHROME	BOWL-HOLDER
PH-54	0UN133	JOINT TORIQUE 2,62X13,95 EPDM	O RING - 13.95 x 2.62
PI-45	0UN096	ELECTROVANNE 3V 220V-230V / 50Hz-60Hz	ELECTROVALVE 220V-230V / 50Hz-60Hz

MI-83 220V-60HZ Electrovalve Coi

|

MI-90 110V-60Hz Electrovalve Coil

MI-83 220V-60HZ Electrovalve Coi
 MI-90 110V-60Hz Electrovalve Coil



SAV : RONDELLE EPDM 1MM = PC60
 AFTER SALES : EPDM WASHER = PC60

PLANCHE - PLATE 493

REF	ELUX	DESIGNATIONS FR	DESIGNATIONS GB
33102		COUPE NUE	<i>FILTER HOLDER BODY</i>
33104		CARRE POIGNEE COUPE	<i>STEEL SQUARE FOR HANDLE</i>
33105		POIGNEE DE COUPE	<i>HANDLE</i>
33106		BOUCHON POIGNEE DE COUPE	<i>TAP FOR HANDLE</i>
33381		BEC 1 T CHROME	<i>1 CUP SPOUT</i>
33382		BEC 2T CHROME	<i>2 CUPS SPOUT</i>
33384		OBTURATEUR BEC 1T	<i>1 CUP OBTURATOR</i>
33385		OBTURATEUR BEC 2T	<i>2 CUPS OBTURATOR</i>
33420		FILTRE 1 TASSE	<i>1 CUP FILTER</i>
33422		FILTRE 2 TASSES	<i>2 CUPS FILTER</i>
33131		COUPE COMPLETE 1T	<i>1 CUP FILT. HOLDER</i>
33132		COUPE COMPLETE 2T	<i>2 CUP FILT. HOLDER</i>
CF-199		RONDELLE ACIER ZN 8x22x1,5	<i>STEEL WASHER 8x22x1,5</i>
CN-51		VIS INOX TCHC 8 x 20	<i>SCREW M8 X 20</i>
DO-54		AIMANT DIAM 3 L:10mm	<i>MAGNET DIA:3 L:10mm</i>
DV-4010		PROLONGATEUR SORTIE BEC	<i>SPOUT SPACER</i>
DV-7050		CACHE SORTIE BEC RESSORT	<i>SPOUT HIDDEN</i>
PA-85A		DE COUPE DIAM:1.3	<i>FILTER SPRING DIAM:1.3</i>
PA-85B		RESSORT DE COUPE DIAM:1.2	<i>FILTER SPRING DIAM:1.2</i>
RR-83		RONDELLE GROVER DE 8	<i>WASHER 8</i>

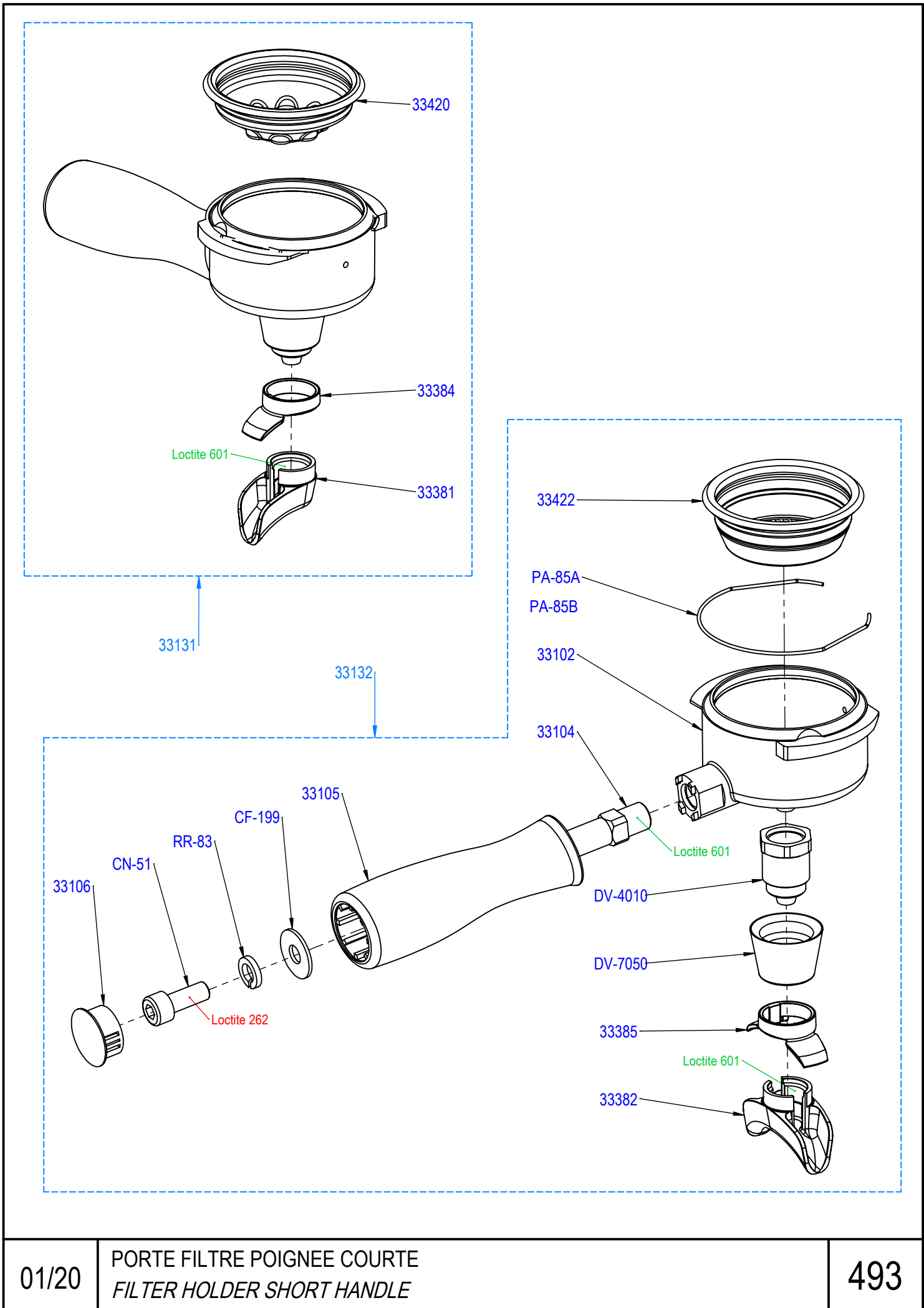


PLANCHE - PLATE 501

REF	ELUX	DESIGNATIONS FR	DESIGNATIONS GB
29811		ELEMENT CHAUFFANT 230V 2730W	HEATING ELEMENT 230V 2730W
29815		CACHE RESISTANCE	INSULATOR BOOT
33700	0UN079	PRESSOSTAT A CONTACT SEC	PRESSURESTAT
34201		THERMOSTAT SECURITE 160C TRI	THERMOSTAT 160C TRI
34202	0UN077	THERMOSTAT SECURITE 160C TRI UL	THERMOSTAT 160C UL
43430		COMMUTATEUR A CAME UL/CSA	SWITCH UL/CSA
45949		ETIQUETTE BORNIER	TERMINAL STICKER
52514	0UN037	ECROU RAPIDE M4 EP:2	NUT M4
AE-50		BORNIER GM GRIS	TERMINAL BLOCK GREY
AE-51		BORNIER GM BLEU	TERMINAL BLOCK BLUE
AE-52		BORNIER TERRE VERT-JAUNE	TERMINAL BLOCK - GREEN/YELLOW
AE-53A		PRESSOSTAT HOMOLOGUE UL	PRESSURESTAT UL - SIRAI
C-16		RONDELLE ACIER NICKELE M8	WASHER 8
CN-325		VIS INOX TC 4 x 6	SCREW M4 X 6
CV-20	0UN090	JOINT TORIQUE 3,53X66,68 FKM	GASKET - 66.68 x 3.53
CV-3		VIS TH M8 x 20 INOX	S.STEEL SCREW M8 x 20
DV-2055		TOLE SUPPORT BORNIER	SHEET METAL TERMINAL BOARD
ID-68A		CACHE DE COMMUTATEUR	TERMINAL COVER
RO-13		VIS INOX TC 4 x 10	SCREW M4 X 10 -

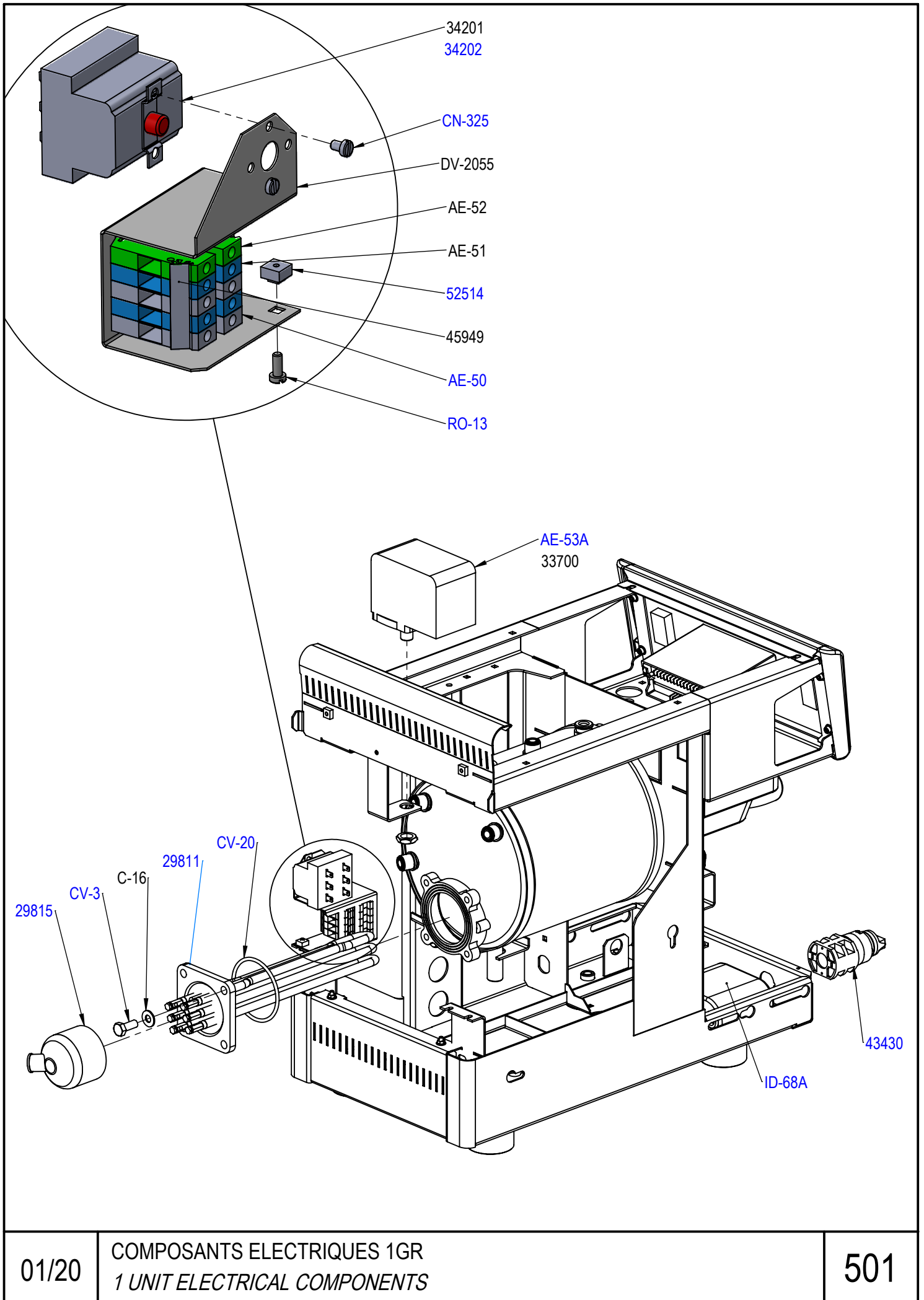


PLANCHE - PLATE 502

REF	ELUX	DESIGNATIONS FR	DESIGNATIONS GB
29812	0UN083	ELEMENT CHAUFFANT 230V4370W	HEATING ELEMENT 230V 4370W
29813		ELEMENT CHAUFFANT 230V 6555W	HEATING ELEMENT 230V 6555W
29815		CACHE RESISTANCE	INSULATOR BOOT
33700	0UN079	PRESSOSTAT A CONTACT SEC	PRESSURESTAT
34201		THERMOSTAT SECURITE 160C TRI	THERMOSTAT 160C TRI
34202	0UN077	THERMOSTAT SECURITE 160C TRI UL	THERMOSTAT 160C UL
43430		COMMUTATEUR A CAME UL/CSA	SWITCH UL/CSA
AE-50		BORNIER GM GRIS	TERMINAL BLOCK GREY
AE-51		BORNIER GM BLEU	TERMINAL BLOCK BLUE
AE-52		BORNIER TERRE VERT-JAUNE	TERMINAL BLOCK - GREEN/YELLOW
AE-53A		PRESSOSTAT HOMOLOGUE UL	PRESSURESTAT UL - SIRAI
C-16		RONDELLE ACIER NICKELE M8	WASHER 8
CN-325		VIS INOX TC 4 x 6	SCREW M4 X 6
CN-724		SUPPORT BORNIER L=95 mm	RAIL
CV-20	0UN090	JOINT TORIQUE 3,53X66,68 FKM	GASKET - 66.68 x 3.53
CV-3		VIS TH M8 x 20 INOX	S.STEEL SCREW M8 x 20
DV08		PRESSE ETOUPE UL COUL= NOIRE	STRAIN RELIEF
ED-112		ETIQUETTE BORNIER	TERMINAL STICKER
ED-133		PRESSE ETOUPE NOIR	PACKING GLAND
ID-68A		CACHE DE COMMUTATEUR	TERMINAL COVER
NM-296		SUPPORT THERMOSTAT	THERMOSTAT HOLDER
RO-13		VIS INOX TC 4 x 10	SCREW M4 X 10 -

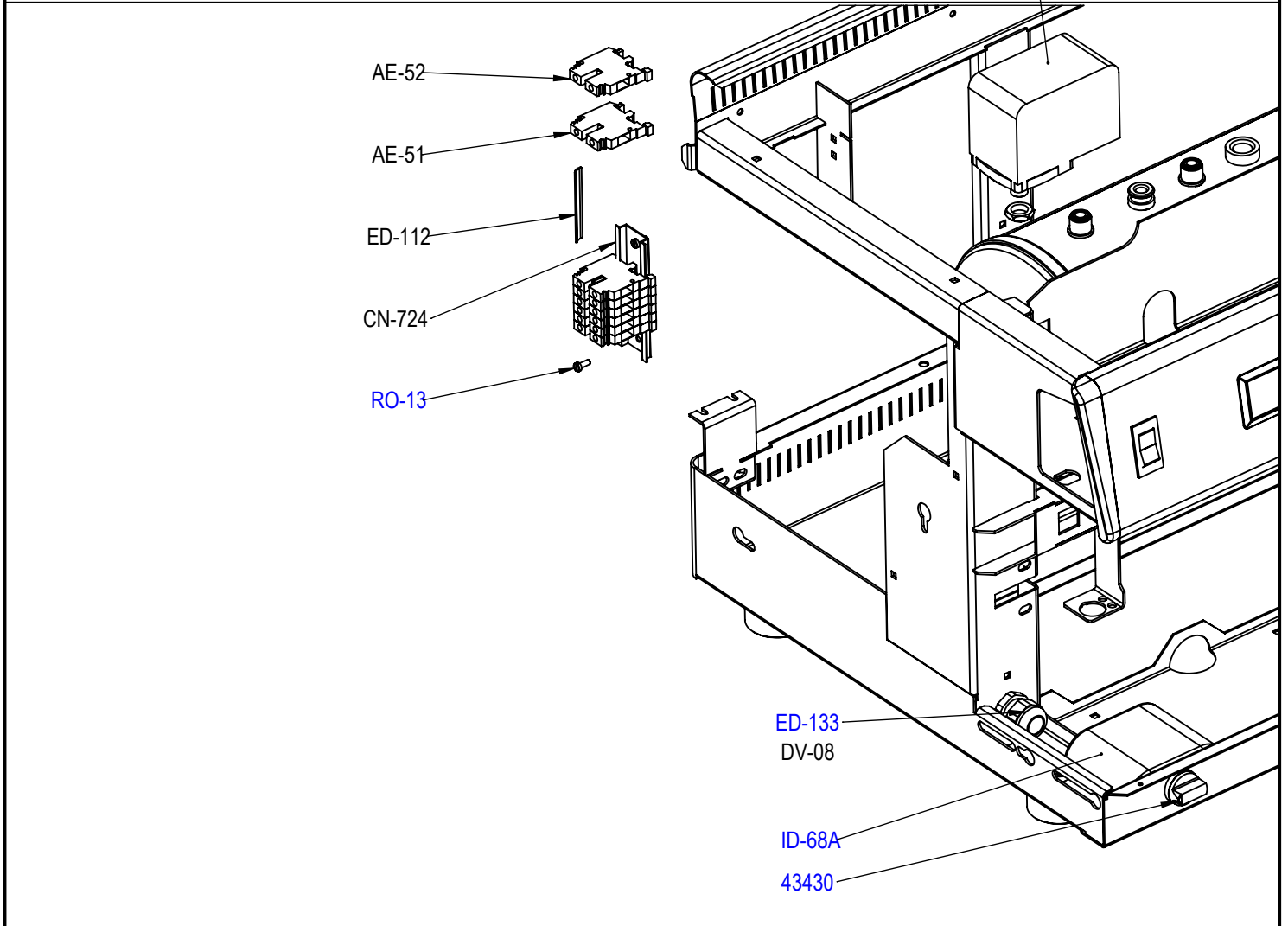
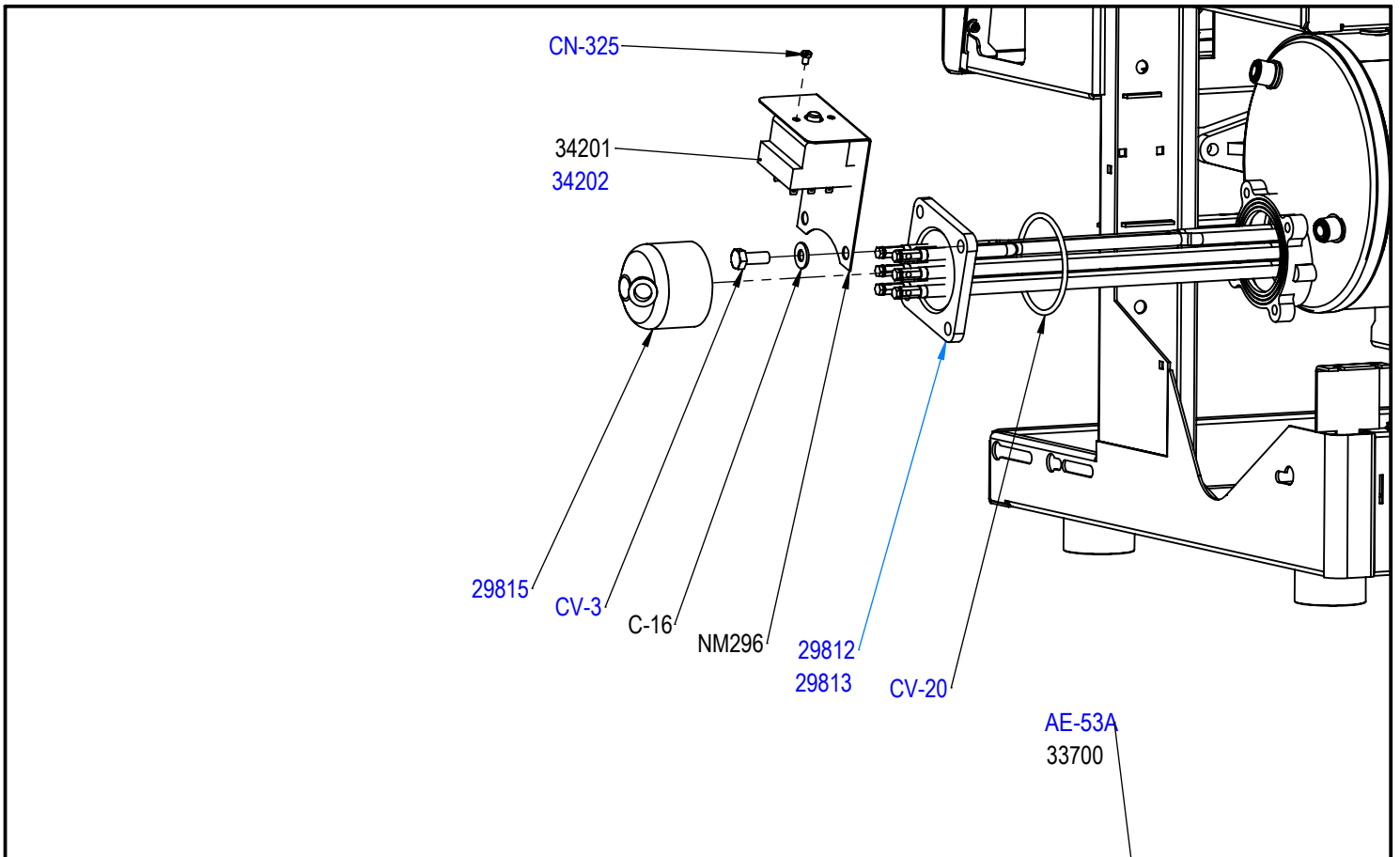


PLANCHE - PLATE 511

REF	ELUX	DESIGNATIONS FR	<i>DESIGNATIONS GB</i>
AU8008		CÂBLE D'ALIMENTATION GÉNÉRALE UL	<i>UL GENERAL FEEDING CABLE</i>
DV-55		FIL SONDE DE NIVEAU	<i>Probe wire</i>
DV-8001		CÂBLE PRESSOSTAT / SÉCURITÉ	<i>HEATING ELEMENT PRESSURESTAT CABLE</i>
DV-8009		CÂBLE POUR COMMANDE EAU / VAPEUR	<i>WATER / STEAM CABLE</i>
DV-8018		CÂBLE DOSEUR VOLUMÉTRIQUE	<i>VOLUMETRIC DOSER CABLE</i>
DV-8020		CÂBLE PONT	<i>BRIDGE CABLE</i>
DV-8105		Câble commutateur / bornier	<i>Switch / plug cable</i>
DV-8109		Câble d'alimentation, boîtier électronique	<i>Feeding electronic box cable</i>
DV-8110		CÂBLE EV CAFÉ	<i>COFFEE ELECTROVALVE CABLE</i>
DV-8114		Câble EV remplissage	<i>Filling electrovalve cable</i>
DV-8120		Câble d'alimentation générale Europe	<i>Europe general feeding cable</i>
DV-8121		Câble thermostat de sécurité de résistance	<i>Heating element safety thermostat cable</i>
DV-8122		Câble d'alimentation pressostat	<i>Pressurestat feeding cable</i>

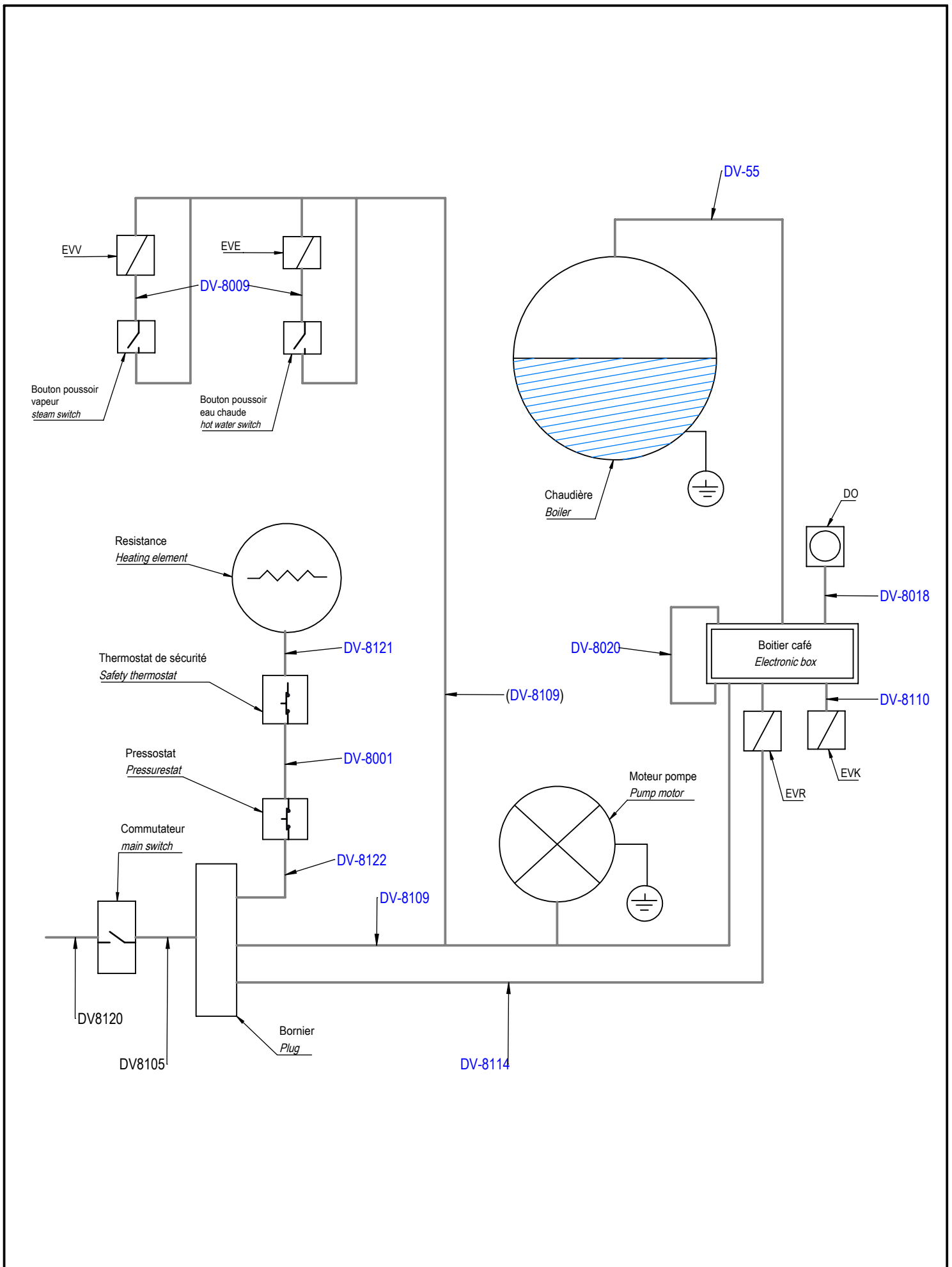


PLANCHE - PLATE 512

REF	ELUX	DESIGNATIONS FR	DESIGNATIONS GB
AU8008		CÂBLE D'ALIMENTATION GÉNÉRALE UL	<i>UL GENERAL FEEDING CABLE</i>
DV-55		FIL SONDE DE NIVEAU	<i>Probe wire</i>
DV-8009		CÂBLE POUR COMMANDE EAU / VAPEUR	<i>WATER / STEAM CABLE</i>
DV-8012		CÂBLE POUR COMMANDE EAU / VAPEUR	<i>WATER / STEAM CABLE</i>
DV-8018		CÂBLE DOSEUR VOLUMÉTRIQUE	<i>VOLUMETRIC DOSER CABLE</i>
DV-8020		CÂBLE PONT	<i>BRIDGE CABLE</i>
DV-8105		Câble commutateur / bornier	<i>Switch / plug cable</i>
DV-8110		CÂBLE EV CAFÉ	<i>COFFEE ELECTROVALVE CABLE</i>
DV-8110		CÂBLE EV CAFÉ	<i>COFFEE ELECTROVALVE CABLE</i>
DV-8112		CÂBLE D'ALIM BOÎTIERS ÉLECTRONIQUES	<i>FEEDING ELECTRONIC BOXES CABLE</i>
DV-8114		Câble EV remplissage	<i>Filling electrovalve cable</i>
DV-8120		Câble d'alimentation générale Europe	<i>Europe general feeding cable</i>
FR-8039		CABLE ALIM MONO 220V UL/CSA	<i>220V UL/CSA MACHINE POWER WIRE</i>
NM-8000		CÂBLE THERMOSTAT SÉCURITÉ RÉSISTANCE	<i>HEATING ELEMENT SAFETY THERMOSTAT</i>
NM-8002		Câble d'alimentation de la résistance	<i>Heating element feeding cable</i>
NM-8005		Câble d'alimentation pressostat	<i>Pressurestat feeding cable</i>

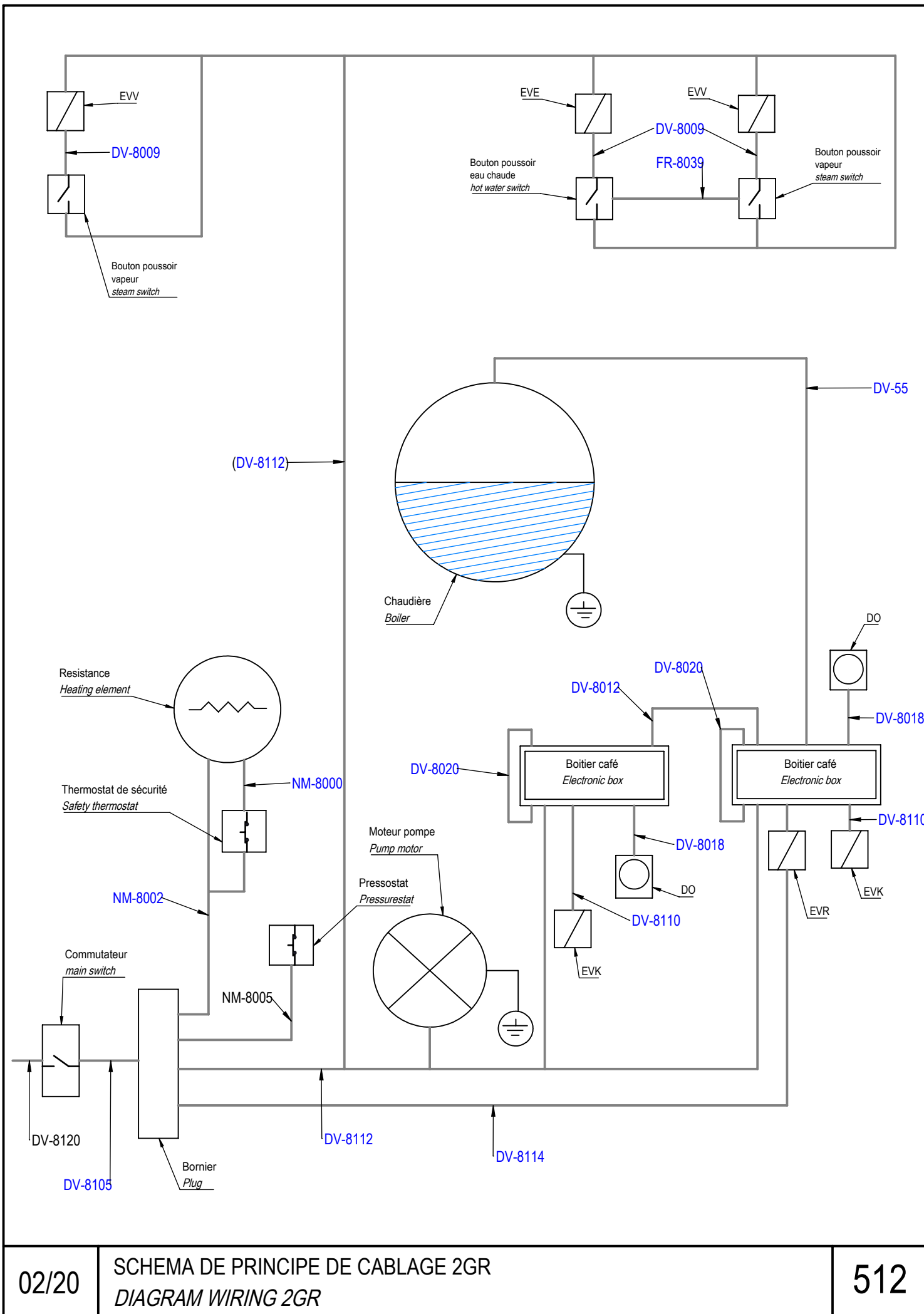


PLANCHE - PLATE 513

REF	ELUX	DESIGNATIONS FR	DESIGNATIONS GB
AU8008		CÂBLE D'ALIMENTATION GÉNÉRALE UL	<i>UL GENERAL FEEDING CABLE</i>
DV-55		FIL SONDE DE NIVEAU	<i>Probe wire</i>
DV-8009		CÂBLE POUR COMMANDE EAU / VAPEUR	<i>WATER / STEAM CABLE</i>
DV-8018		CÂBLE DOSEUR VOLUMÉTRIQUE	<i>VOLUMETRIC DOSER CABLE</i>
DV-8020		CÂBLE PONT	<i>BRIDGE CABLE</i>
DV-8027		FIL DE TRANSMISSION DE DONNÉES	<i>DATA TRANSMITTING WIRE</i>
DV-8105		Câble commutateur / bornier	<i>Switch / plug cable</i>
DV-8110		CÂBLE EV CAFÉ	<i>COFFEE ELECTROVALVE CABLE</i>
DV-8110		CÂBLE EV CAFÉ	<i>COFFEE ELECTROVALVE CABLE</i>
DV-8113		CÂBLE D'ALIM BOÎTIERS ÉLECTRONIQUES	<i>FEEDING ELECTRONIC BOXES CABLE</i>
DV-8114		Câble EV remplissage	<i>Filling electrovalve cable</i>
DV-8120		Câble d'alimentation générale Europe	<i>Europe general feeding cable</i>
FR-8039		CABLE ALIM MONO 220V UL/CSA	<i>220V UL/CSA MACHINE POWER WIRE</i>
NM-8000		CÂBLE THERMOSTAT SÉCURITÉ RÉSISTANCE	<i>HEATING ELEMENT SAFETY THERMOSTAT</i>
NM-8002		Câble d'alimentation de la résistance	<i>Heating element feeding cable</i>
NM-8005		Câble d'alimentation pressostat	<i>Pressurestat feeding cable</i>

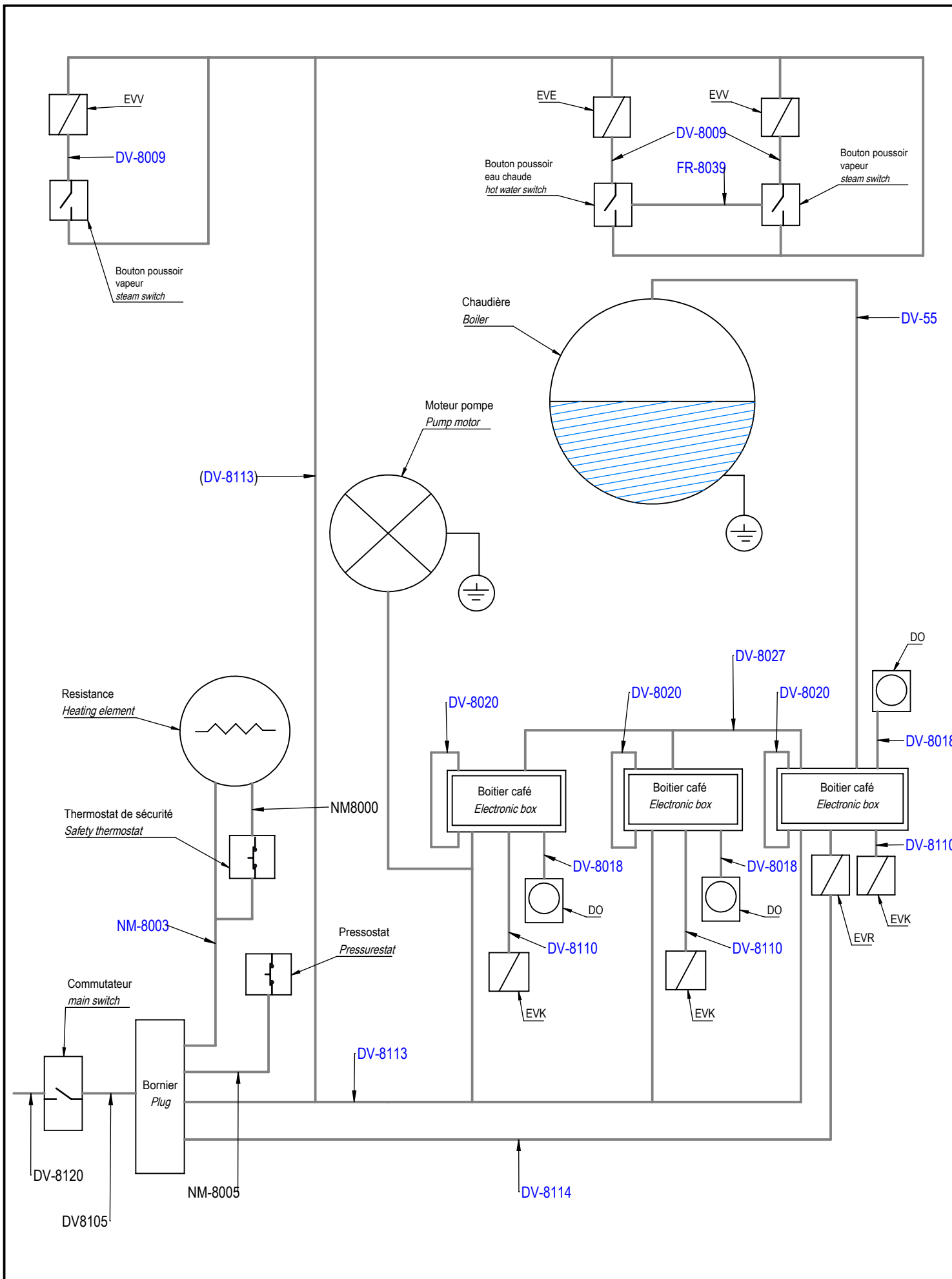
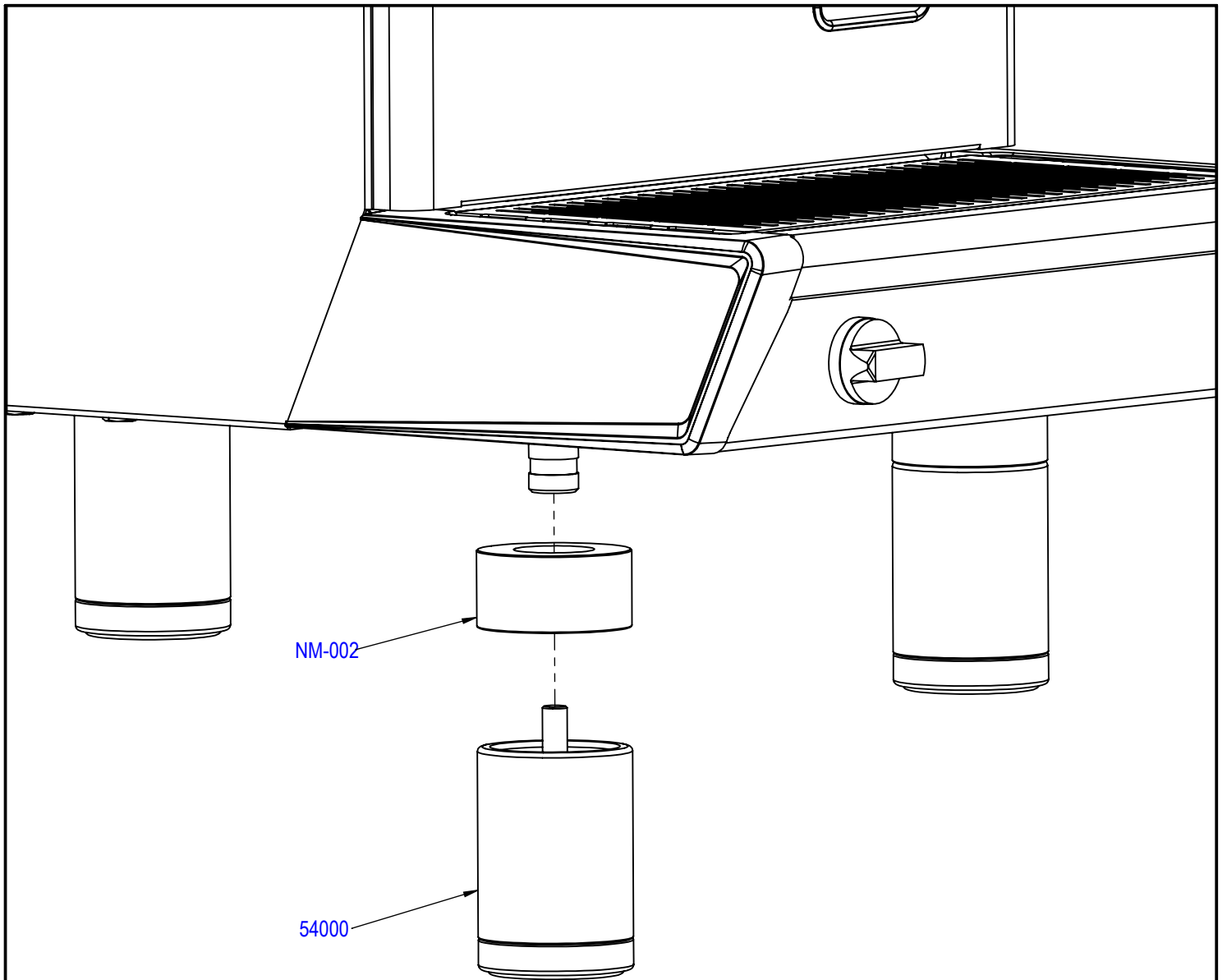


PLANCHE - PLATE 631

REF	ELUX	DESIGNATIONS FR	DESIGNATIONS GB
NM-002		PIED CAOUTCHOUC NOIR	FOOT
54000		PIED REGLABLE 71/79 VIS M8X15	ADJUSTABLE FOOT



NM-002

54000