

# Assembly Instructions

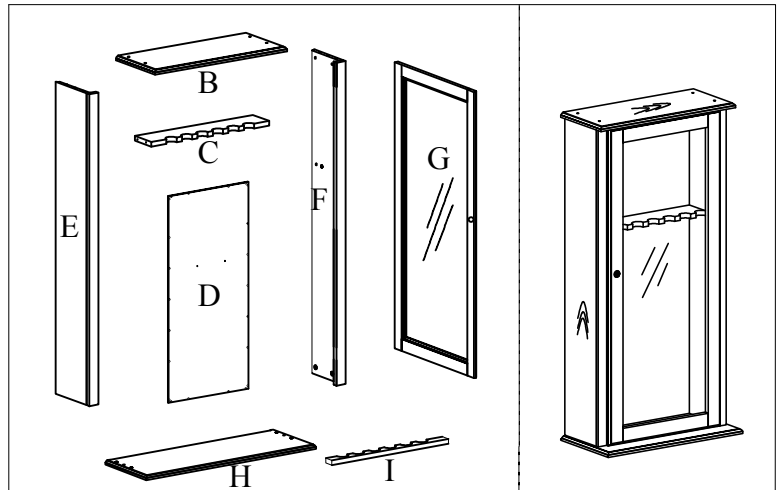
## 800 Gun Cabinet

### Components List:

#### Upper Cabinet

- B. Top Panel .....1pc
- C. Upper Barrel Rest.....1pc
- D. Upper Back Panel.....1pc
- E. Left Side Panel.....1pc
- F. Right Side Panel .....1pc
- G. Door Panel.....1pc
- H. Drawer Top Panel.....1pc
- I. Lower Barrel Rest .....1pc

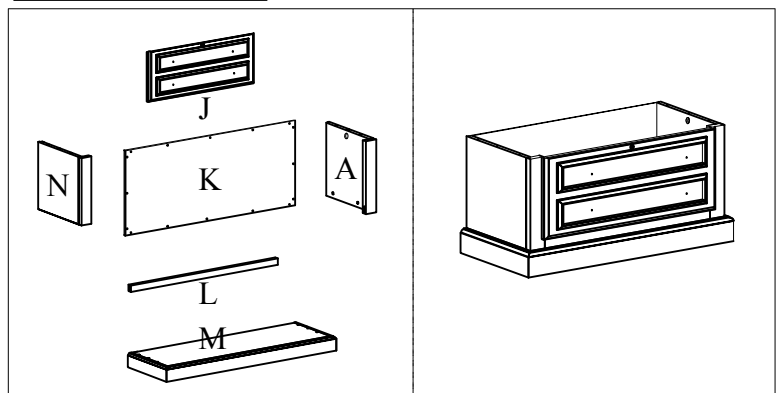
#### Upper Cabinet



#### Lower Cabinet

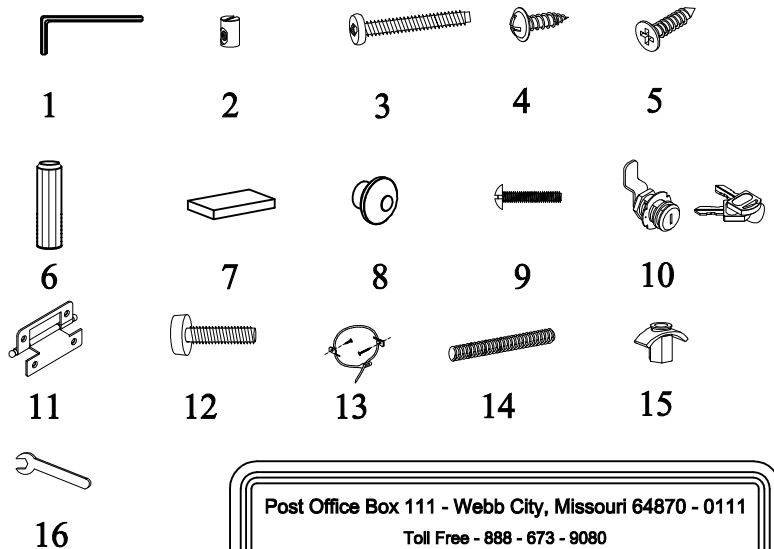
- J. Front Panel With Lock.....1pc
- K. Bottom Back Panel .....1pc
- L. Bottom Front Rail ..... 1pc
- M. Bottom Panel .....1pc
- N. Left Side Panel .....1pc
- A. Right Side Panel .....1pc

#### Lower Cabinet



#### Hardware List:

- 1. "L" Wrench .....1pc
- 2. Metal Bullet.....10pcs
- 3. Machine Screw .....8pcs
- 4. Round Head Wood Screw .....36pcs
- 5. Flat Head Hinge Screw .....20pcs
- 6. Dowel.....22pcs
- 7. Door Spacer Block .....1pc
- 8. Door Knob..... 4 pcs
- 9. Knob Screw.....4pcs
- 10. Keys.....2pcs
- 11. Hinges .....5pcs
- 12. Levelers.....4pcs
- 13. Tipping Restraint .....1pc
- 14. Threaded pin.....2pcs
- 15. Acorn Nut.....2pcs
- 16. Wrench.....1pc



Post Office Box 111 - Webb City, Missouri 64870 - 0111

Toll Free - 888 - 673 - 9080

Fax - 417 - 673 - 9081

To order replacement parts online please visit:

[www.AmericanFurnitureClassics.com](http://www.AmericanFurnitureClassics.com)

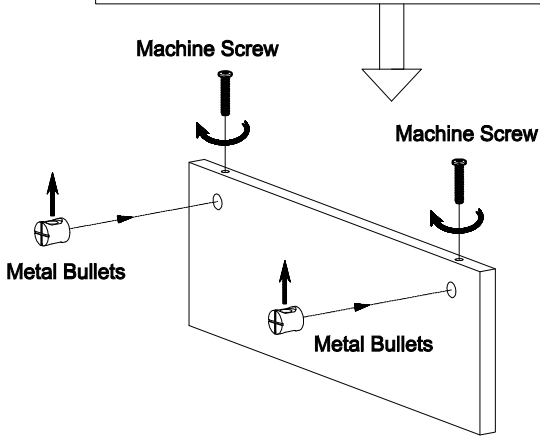
or E - mail :

[service@americanfurnitureclassics.com](mailto:service@americanfurnitureclassics.com)

# Assembly Instructions: 800 Gun Cabinet

Unpack carton on a clean, smooth surface and inventory parts.

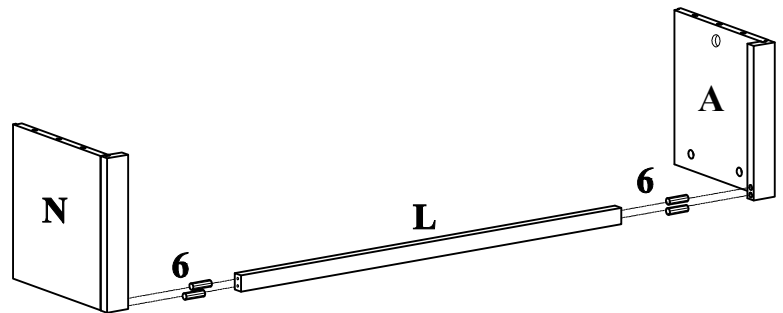
Important: Always Insert Metal Bullets so that the X in the end of the Bullet faces out of the holes and that the Threaded Hole is turned vertically for alignment with Machine Screws.



## Step 1:

Attach Left & Right Side Panel (N & A) to the Bottom Front Rail (L) by inserting Dowel (6).

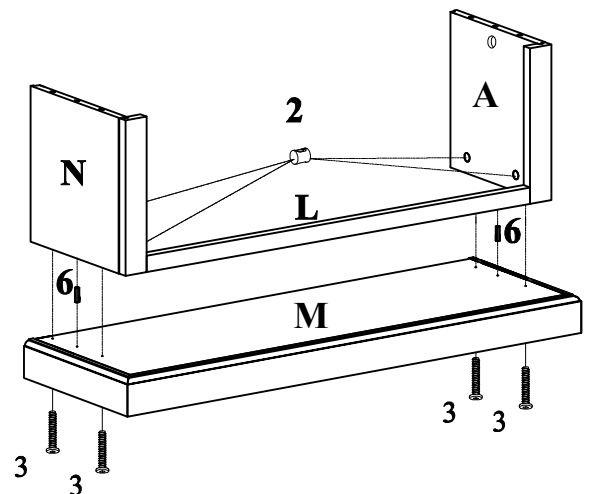
## Step 1



## Step 2

### Step 2:

Attach the assembled unit completed in Step 1 to the Bottom Panel (M) by inserting Dowel (6) into the non-threaded holes. Insert Machine Screw (3) through the bottom of Bottom Panel (M) and into the Metal Bullet (2) inserted into the small holes in Side Panel (N & A). Tighten the Machine Screw (3) using the "L" Wrench (1).



# Assembly Instructions: 800 Gun Cabinet

## Step 3:

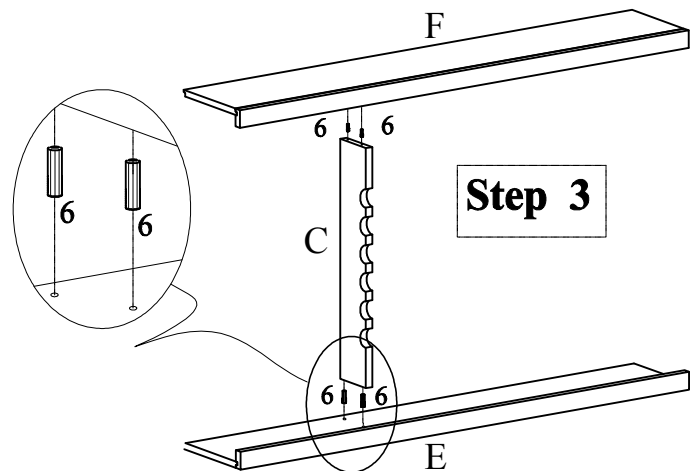
Attach the Upper Barrel Rest (C) to the Left Side Panel (E) & Right Side Panel (F) by inserting Dowels (6).

## Step 4:

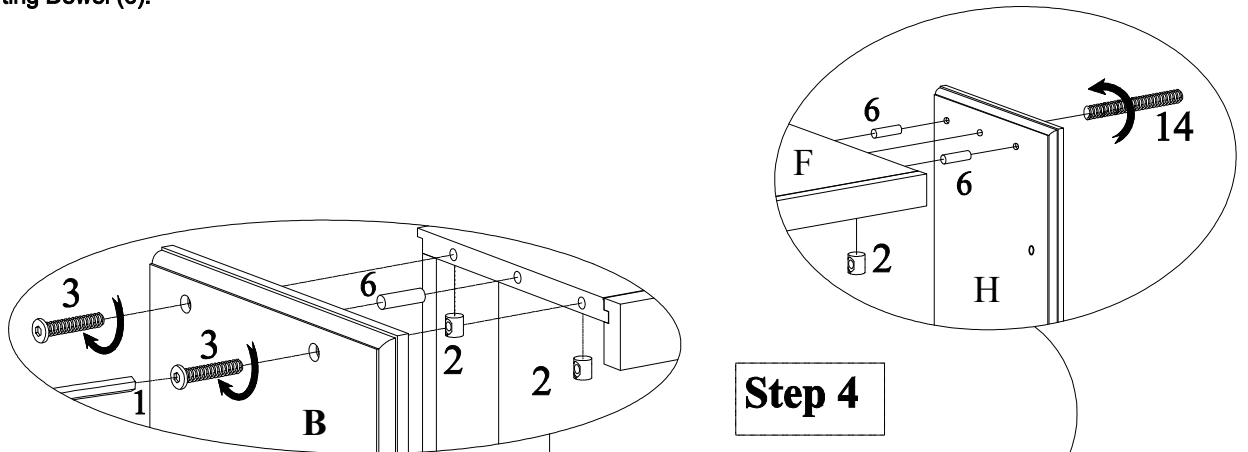
\* Insert the Dowel (6) into the holes on the bottom side of the Top Panel (B) and into the Left Side Panel (E) & Right Side Panel (F). Insert the Machine Screw (3) through the Top Panel (B) and into the Metal Bullet (2) inserted into the Left Side Panel (E) & Right Side Panel (F). Tighten the Machine Screw (3) using the "L" Wrench (1).

\* Insert the Dowel (6) into the holes on the top of Drawer Top Panel (H) and into the Left Side Panel (E) & Right Side Panel (F). Insert Threaded Pin (14) through the bottom of Drawer Top Panel (H) and into the Metal Bullet (2) inserted into the Left Side Panel (E) & Right Side Panel (F). Tighten Threaded Pin (14) by hand until it stops. Do not over tighten!

\* Attach the Lower Barrel Rest (I) to the Drawer Top Panel (H) by inserting Dowel (6).



**Step 3**

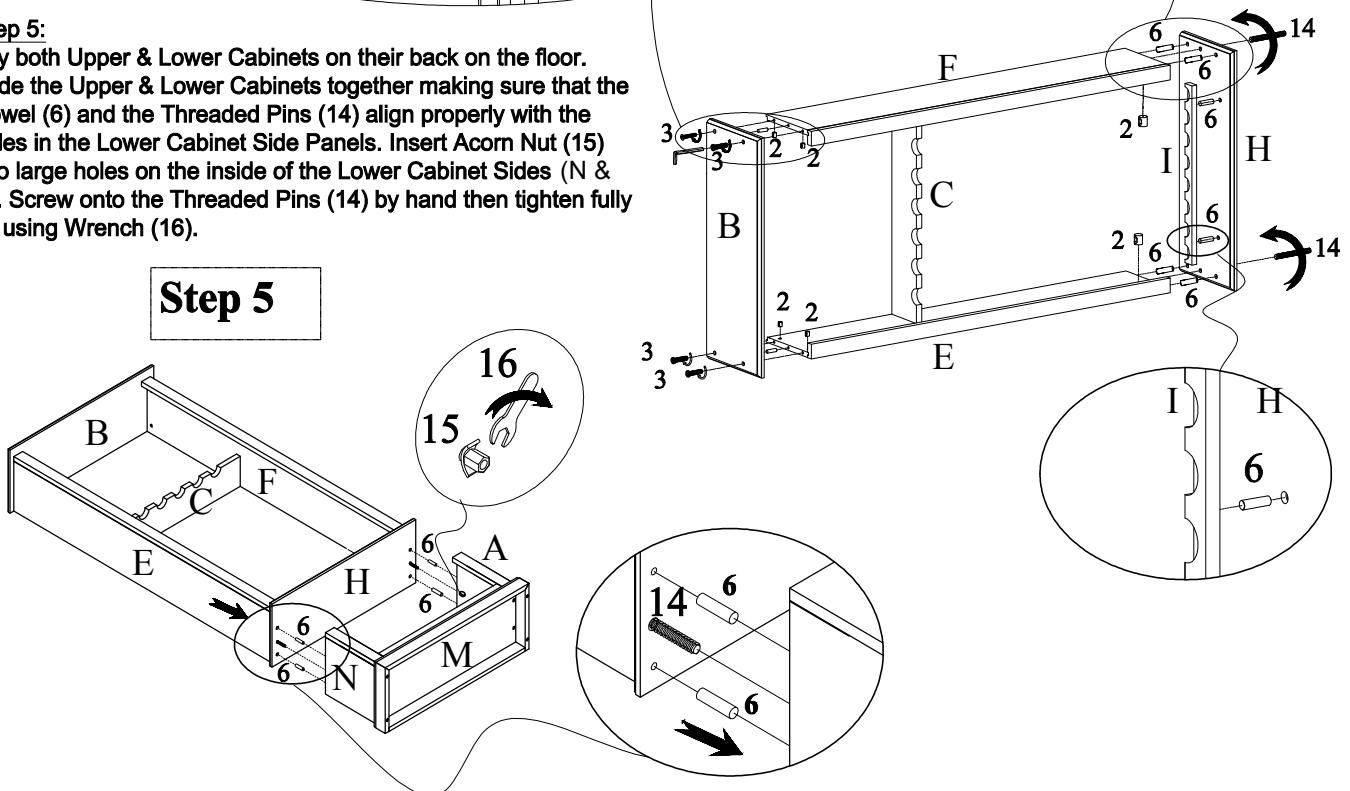


**Step 4**

## Step 5:

Lay both Upper & Lower Cabinets on their back on the floor. Slide the Upper & Lower Cabinets together making sure that the Dowel (6) and the Threaded Pins (14) align properly with the holes in the Lower Cabinet Side Panels. Insert Acorn Nut (15) into large holes on the inside of the Lower Cabinet Sides (N & A). Screw onto the Threaded Pins (14) by hand then tighten fully by using Wrench (16).

**Step 5**

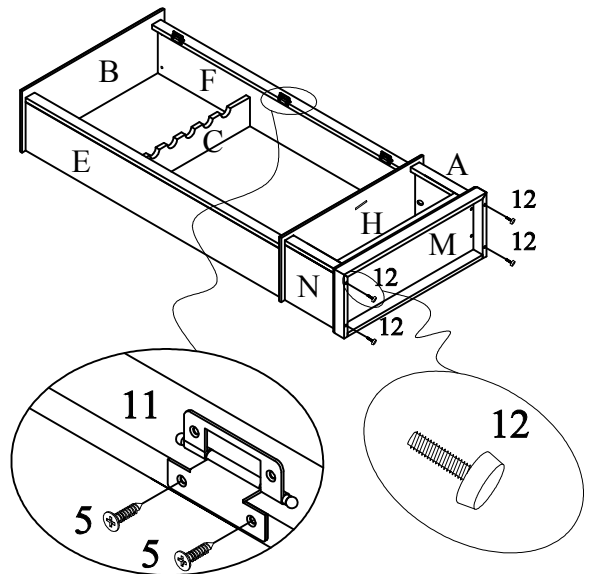


# Assembly Instructions: 800 Gun Cabinet

## Step 6:

\* Align the holes on the hinges (11) with the pre-drilled holes on the right side panel (F). Insert flat head hinges screw (5) into the holes on the hinges (11) and tighten into the right side panel (F). Screw Leveler (12) into the Bottom Panel (M).

## Step 6



## Step 7:

Lay Door Panel (G) on top of Upper Cabinet open position as shown. Place the Door Spacer Block (7) in between the Top Panel (B) and the Door Panel (G) for correct spacing. Move Door Panel (G) toward the Top Panel (B) until it contacts the Door Spacer Block (7). Insert Flat Head Hinge Screws (5) through the holes of the Pre-attached Hinges and tighten into the Door Panel (G). Take off the Door Spacer Block (7).

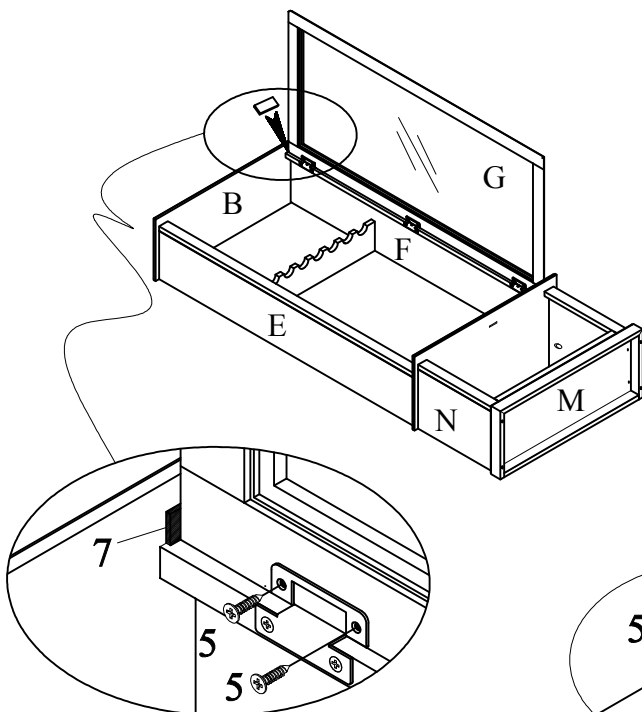
## Step 8:

Lay Front Panel With Lock (J) on top of Bottom Front Rail (L) in open position as shown. Insert Flat Head Hinge Screw (5) through the holes of the Pre-attached Hinges and tighten into the Front Panel With Lock (J) and Bottom Panel (M).

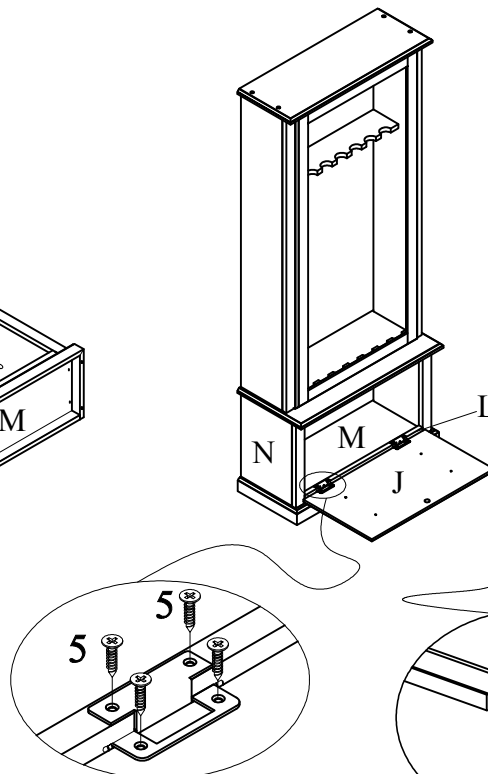
## Step 9:

Attach Upper Back Panel (D) and Bottom Back Panel (K) to the back of the assembled Upper Cabinet and Lower Cabinet using Round Head Wood Screws (4). Tighten with Philips Head Screwdriver (Not Provided).

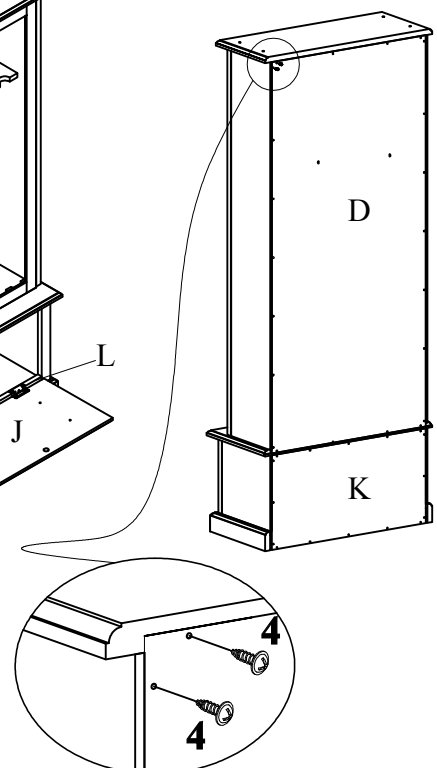
## Step 7



## Step 8

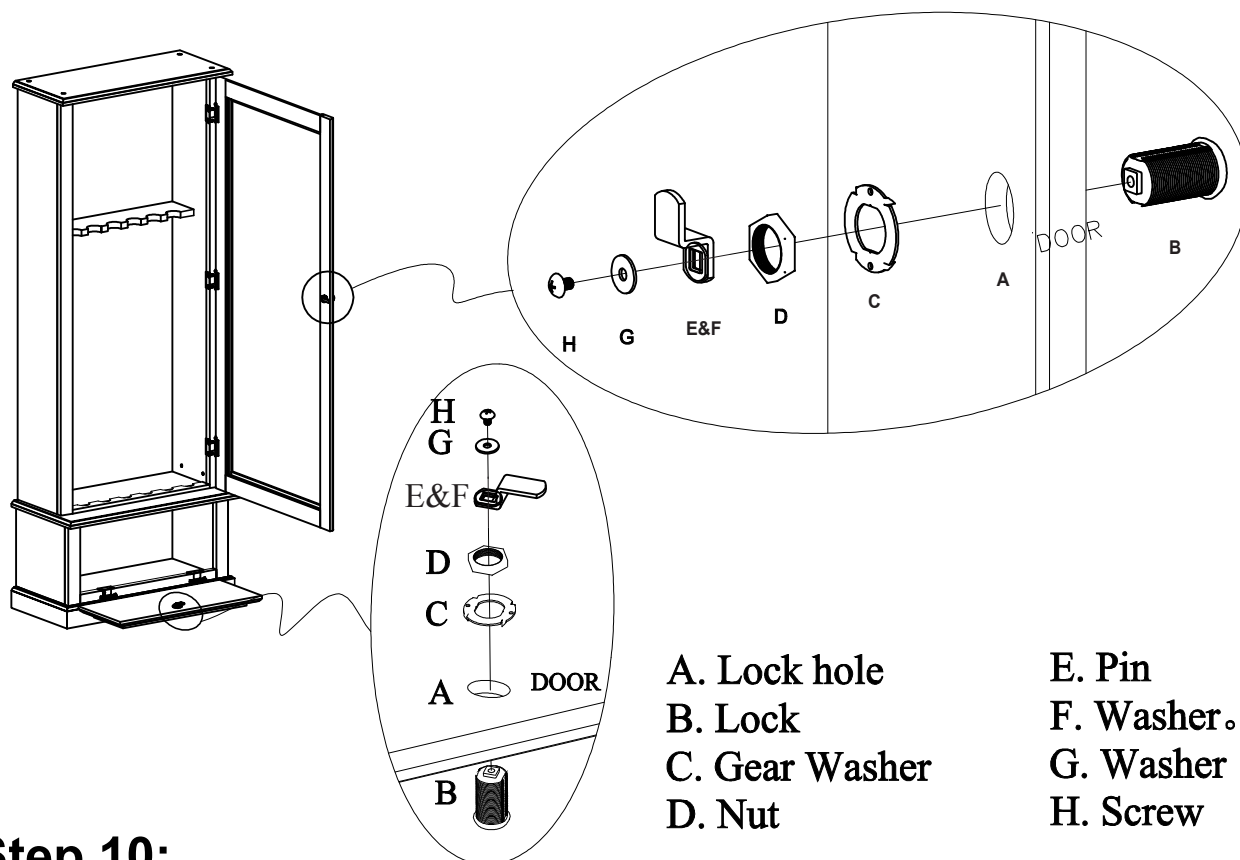


## Step 9



# Assembly Instructions

## Install the lock of the door



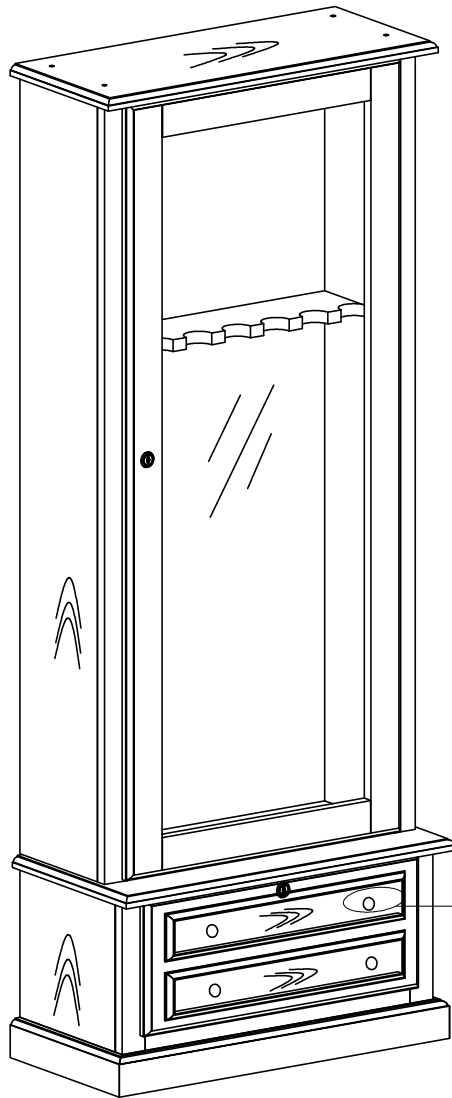
### **Step 10:**

1. Insert Lock (B) into the Lock Hole(A).
2. Put Gear Washer (C) on the Lock (B).
3. Screw Nut (D) on Lock (B).
4. Place Pin (E) and washer (F) onto lock Barrel (B), Make sure the rectangular hole on Pin(E) & Washer (F) and on Lock Barrel (B) are aligned properly.
5. Insert washer(G) and screw (H) into the end of Lock Barrel(B)
6. Tighten or loosen Screw (H) until Pin (E) fits tightly behind the back edge of the Door Frame when door is fully closed and lock is in locked position.

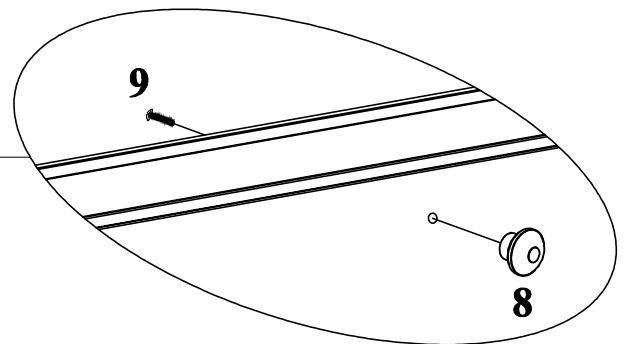
## Assembly Instructions: 800 Gun Cabinet

**Step 11:**

Attach Drawer Knob (7) onto the outside of Front Panel With Lock (J) using Knob Screw (8). Tighten with Philips Head Screwdriver (Not Provided).



**Step 11**



Assembly is now complete.

For extra safety we suggest you install the "Furniture Tipping Restraint" Provided in the separate hardware bag.