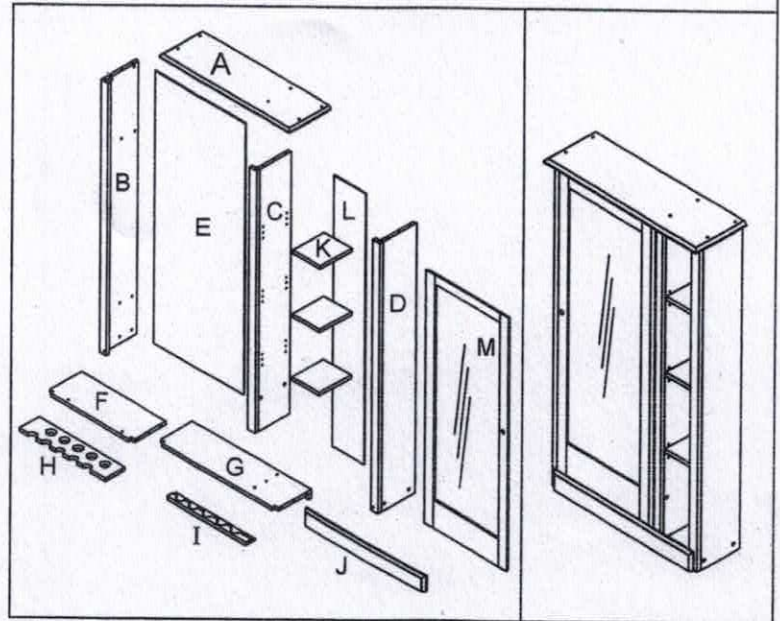


Assembly Instructions

725 Gun Cabinet

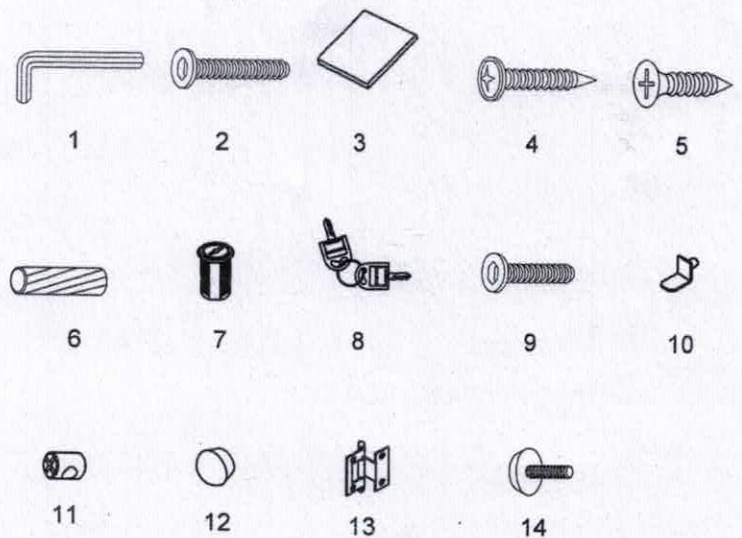
Components List:

- A. Top Panel.....1pc
- B. Left Side Panel.....1pc
- C. Middle Support Panel.....1pc
- D. Right Side Panel.....1pc
- E. Big Back Panel.....1pc
- F. Lower Middle Panel.....1pc
- G. Lower Panel.....1pc
- H. Barrel Rest.....1pc
- I. Lower Barrel Rest.....1pc
- J. Lower Front Rail.....1pc
- K. Shelf.....3pcs
- L. Small Back Panel.....1pc
- M. Door Panel.....1pc



Hardware List:

- 1. "L" Wrench.....1pc
- 2. Long Machine Screw.....14pcs
- 3. Door Spacer Block.....1pc
- 4. Round Head Wood Screw.....46pcs
- 5. Flat Head Wood Screw.....12pcs
- 6. Dowel.....17pcs
- 7. Look.....1pc
- 8. Keys.....1pair
- 9. Short Machine Screw.....2pcs
- 10. Shelf Pin.....12pcs
- 11. Metal Bullet.....14pcs
- 12. Wood Plugs.....8pcs
- 13. Hinges.....3pcs
- 14. Levelling screw.....2pcs

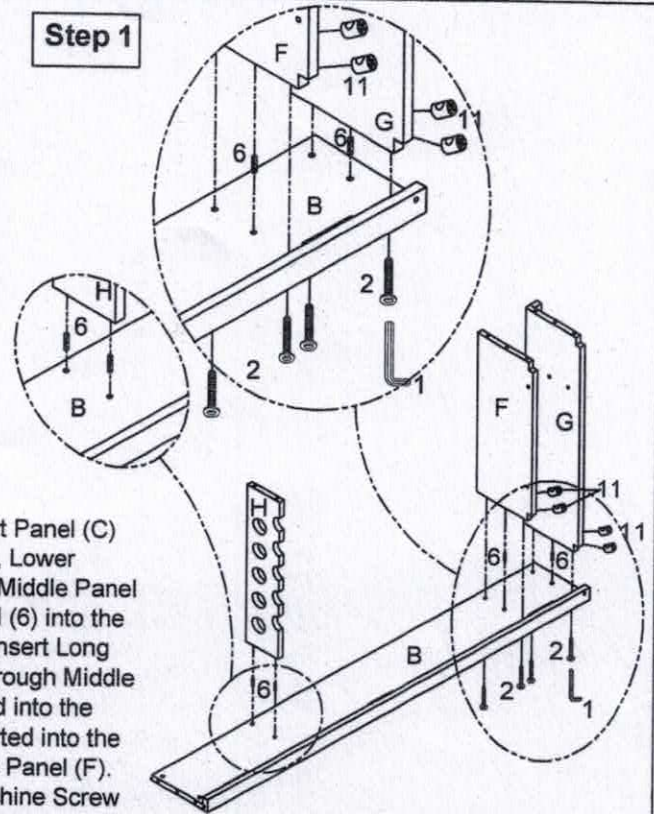


Assembly Instructions: 725 Gun Cabinet

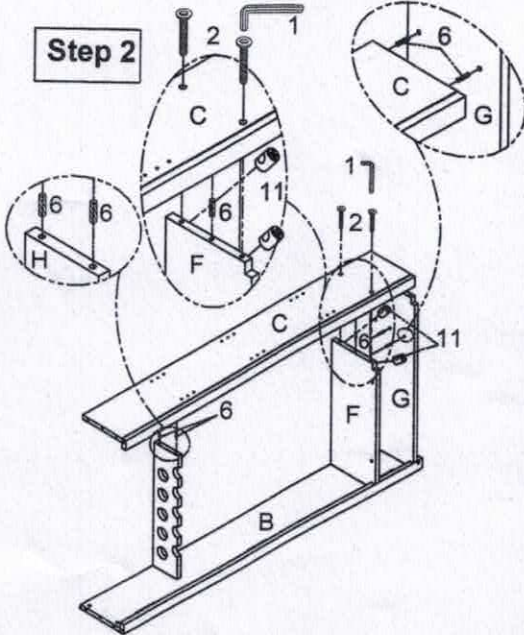
Step 1:

Place left Side Panel (B) down on a clean, smooth surface. Attach Barrel Rest (H) by inserting Dowel (6) into the non-threaded holes. Attach Lower Panel (G) and Lower Middle Panel (F) to Left Side Panel (B) by inserting Dowel(6) into the non-threaded holes. Insert Long Machine Screw (2) through Left Side Panel (B) and into the Metal Bullet (11) inserted into the holes in Lower Panel (G) and Lower Middle Panel (F). Tighten the Long Machine Screw (2) using the "L" Wrench (1)

Step 1



Step 2



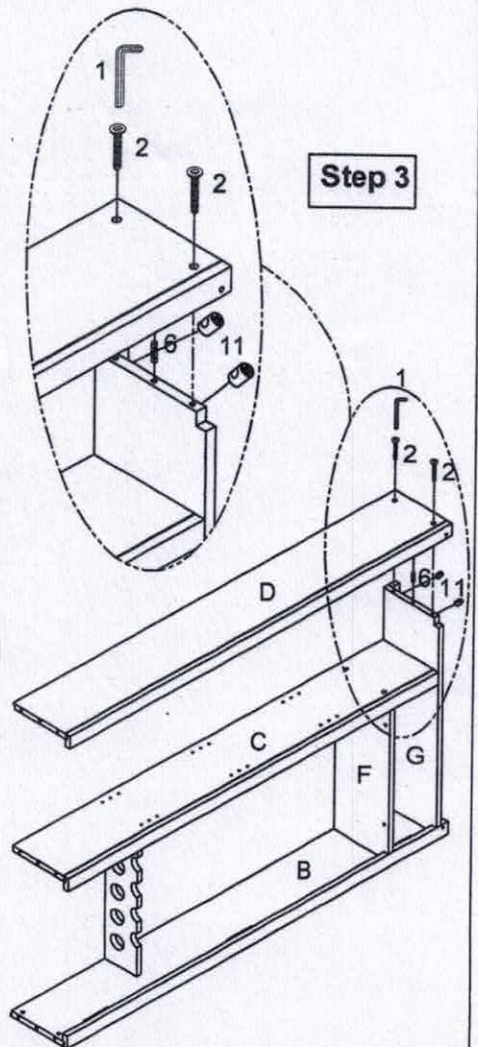
Step 2:

Attach Middle Support Panel (C) to the Barrel Rest (H), Lower Panel (G) and Lower Middle Panel (F) by inserting Dowel (6) into the non-threaded holes. Insert Long Machine Screw (2) through Middle Support Panel (C) and into the Metal Bullet (11) inserted into the holes in Lower Middle Panel (F). Tighten the Long Machine Screw (2) using the "L" Wrench(1)

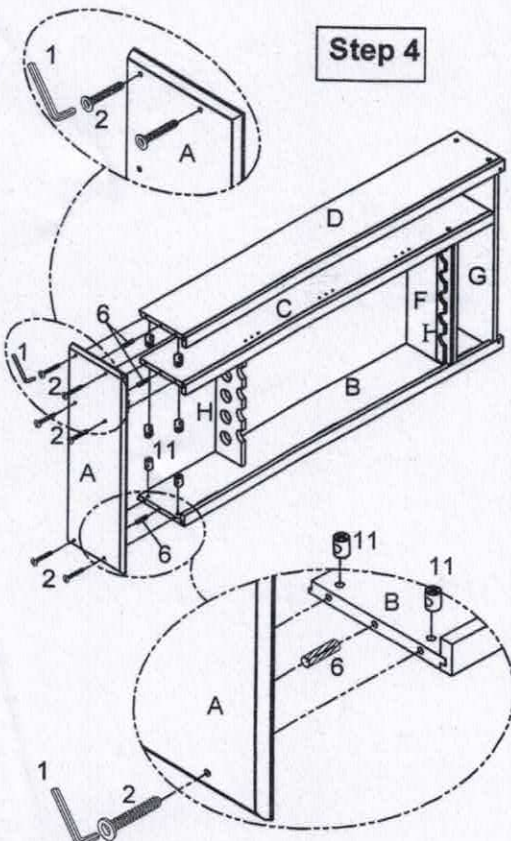
Step 3:

Attach Right Side Panel (D) to the Lower Panel (G) by inserting Dowel (6) into the non-threaded holes. Insert Long Machine Screw (2) through Right Side Panel (D) and into the Metal Bullet (11) inserted into the holes in Lower Panel (G). Tighten the Long Machine Screw (2) using the "L" Wrench(1).

Step 3



Step 4



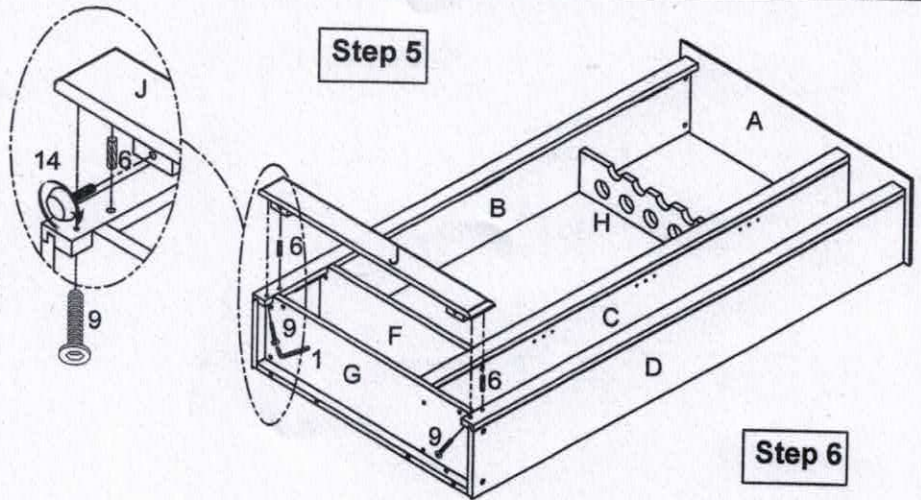
Step 4:

Insert the Dowel (6) into the holes on the bottom side of the Top Panel (A) and into the Left Side Panel (B), Middle Support Panel (C) and Right Side Panel (D). Insert Long Machine Screw (2) through the Top Panel (A) and into the Metal Bullet (11) inserted into the Left Side Panel (B), Middle Support Panel (C) and Right Side Panel (D). Tighten the Long Machine Screw (2) using the "L" Wrench(1). Place the Lower Barrel Rest (I) on the Lower Middle Panel (F) by inserting Dowel (6) into the non-threaded holes.

Assembly Instructions: 725 Gun Cabinet

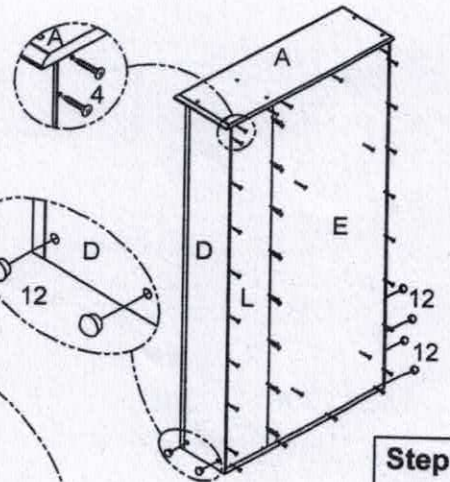
Step 5:

Attach Lower Front Rail (J) on both of Left Side Panel (B) and Right Side Panel (D) by inserting Dowel (6) into the non-threaded holes and Insert Short Machine Screw (9) into the threaded holes, tighten all bolts with "L" Wrench (1). For uneven/non level floors, uncrew plastic feet in front of cabinet to adjust as required.



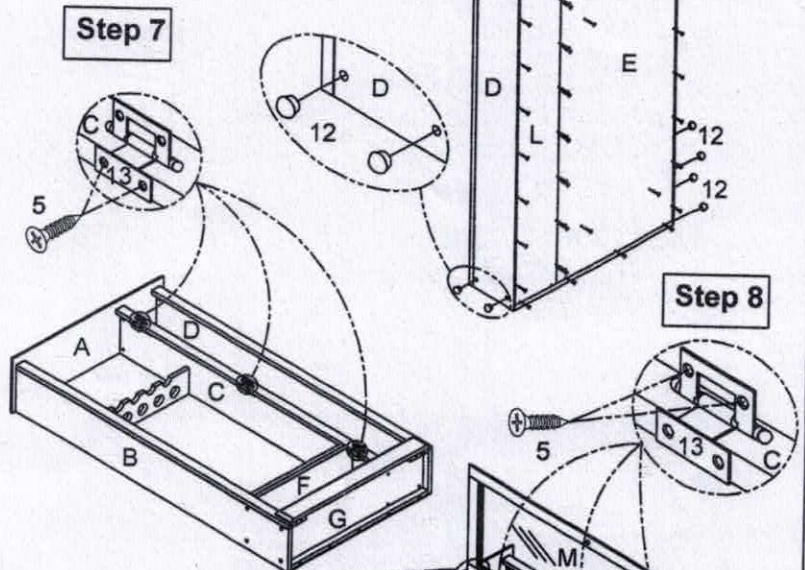
Step 6:

Attach Big Back Panel (E) and Small Back (L) to the back of assembled cabinet using Round Head Wood Screws (4) to the back of Barrel Rest (H). Insert the Wood Plug (12) into the holes of the Left & Middle Support Panel & Right Side Panel (B & C & D).



Step 7:

Place gun cabinet down on clean smooth surface. Align the holes on the Hinges (13) with the pre-marked holes on the Middle Support Panel (C). Insert Flat Head Hinges Screw (5) into the holes on the Hinges (13) and tighten into the Middle Support Panel (C)



Step 8:

Lay Door Panel (M) on top of upper cabinet in open position as shown in step 8. Place the Door Spacer Block (3) in between the Top Panel (A) and Door Panel (M) for correct spacing. Move Door Panel (M) toward the Top Panel (A) until it contacts the Door Spacer Block (3). Insert Flat Head Hinges Screw (5) through the holes of the Hinges and tighten into the Door Panel (M), remove Door Spacer Block (3).

Step 9:

Insert the Shelf Pin (10) into the Middle Support Panel (C) and Right Side Panel (D), put the Shelf (K) on the Shelf Pins.



Assembly is now complete.

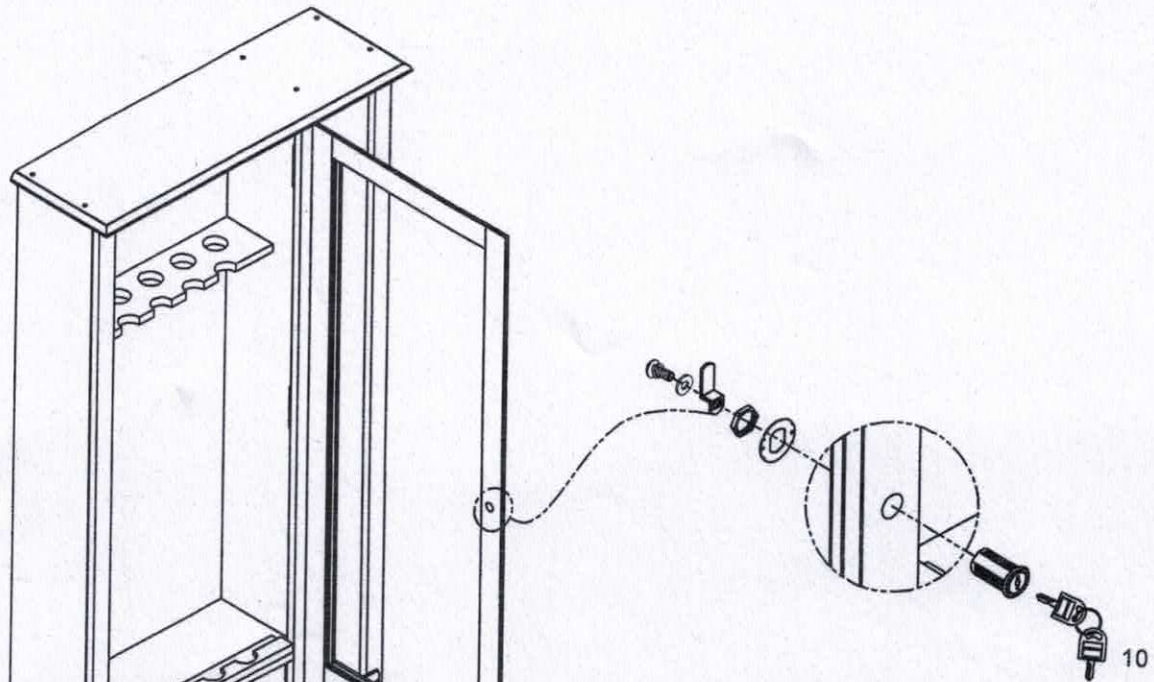
For extra safety we suggest you install the "Furniture tipping Restraint" Provided in the separate hardware bag.

Post Office Box 111-Webb City, Missouri 64870-0111
Toll Free-888-673-9080
Fax-417-673-9081

To order replacement parts online please visit:
www.AmericanFurnitureclassics.com
Or E-mail:
Service@americanfurnitureclassics.com

Assembly Instructions

Install the lock on the door



A.Lock Hole
B.Lock
C.Gear Washer
D.Nut

E.Pin
F.Washer
G.Screw

Step:

1. Insert lock (B) into the Lock Hole (A)
2. Put Gear Washer (C) on the Lock (B).
3. Screw Nut (D) on Lock (B).
4. Place Pin (E) onto Lock Barrel (B), Make sure the rectangular hole on Pin(E) and on Lock Barrel (B) are aligned properly.
5. Place Washer (F) onto Lock Barrel (B) and insert Screw (G) into the end of Lock Barrel (B).
6. Tighten or loosen Screw (G) until Pin (E) fits tightly behind the back edge of the Door Frame when door is fully closed and lock is **in the locked position.**