

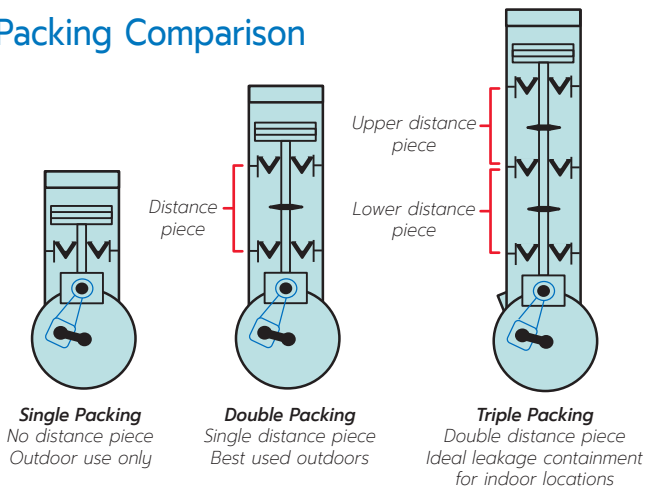
Heavy Duty Industrial Compressor for Oil Extraction

T91 Oil-Free Gas Compressor

With an oil-free design, there is no contamination of process gas stream.

- Double distance piece
- Triple Packing
- Oil wiper ring
- Adjustable packing screw

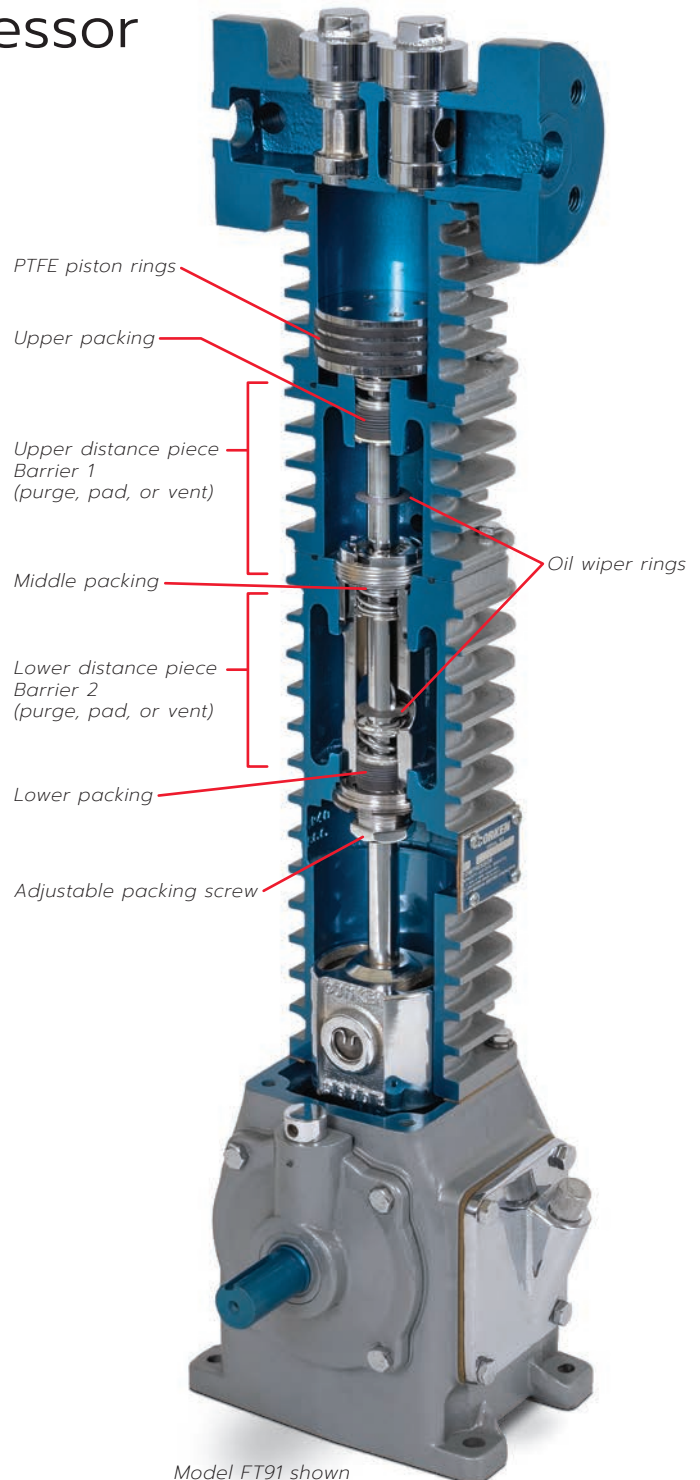
Packing Comparison



Features and Benefits:

- **Oil-free gas compression:** No product contamination
- **Food grade material:** PTFE trim and nickel coated parts
- **Faster recovery time:** Allows more production runs
- **Zero psig evacuation pressure:** Minimizes waste
- **Self-lubricating PTFE piston rings:** Low friction design provides many hours of trouble-free service
- **Quiet operation:** Suitable for indoor applications (approximately 85 dBa at three feet)
- **Space saving:** Air compressor is not required
- **Adjustable packing screw:** Extends life of the packing
- **Cost effective:** Does not require air compressor and pneumatic driver. Avoid possible air/propane cross contamination
- **Motor:** UL and CSA compliant and suitable for Class 1, Division 1, Group C & D application
- Optional purge kit available*

* 07-01-06 U.S. Environmental Protection Agency Regulations 40 CFR CH Section 264.1053



Model FT91 shown

Solutions beyond products...

CORKEN®

Operating Specifications

Bore of cylinder inches (mm)	3.0 (76.2)
Stroke inches (mm)	2.5 (63.5)
Piston displacement cfm (m ³ /hr)	Minimum @ 400 RPM 4.1 (7.0)
	Maximum @ 825 RPM 8.4 (14.3)
Maximum working pressure psig (bar g)	335 (23.1)
Maximum brake horsepower (kW)	7.5 (5.6)
Maximum rod load lb (kg)	3,600 (1,632.9)
Maximum outlet temperature °F (°C)	350 (177)

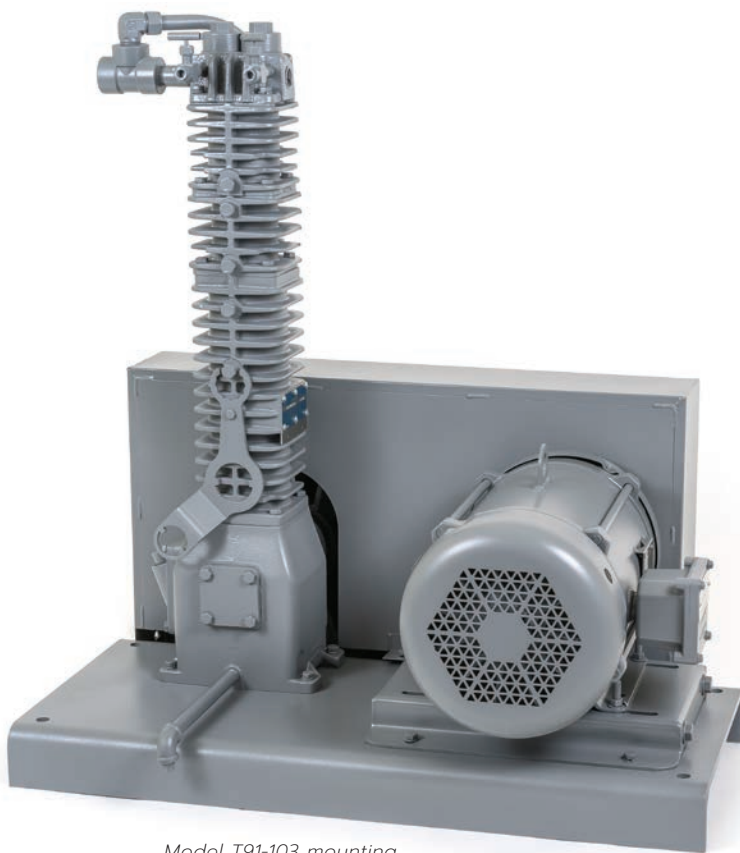
General Performance Data for Vapor Recovery

Compressor speed RPM	700
Vapor temperature °F	70
Final evac pressure psig	0
Average recovery rate in lb/hr*	Butane: 93
	Propane: 240

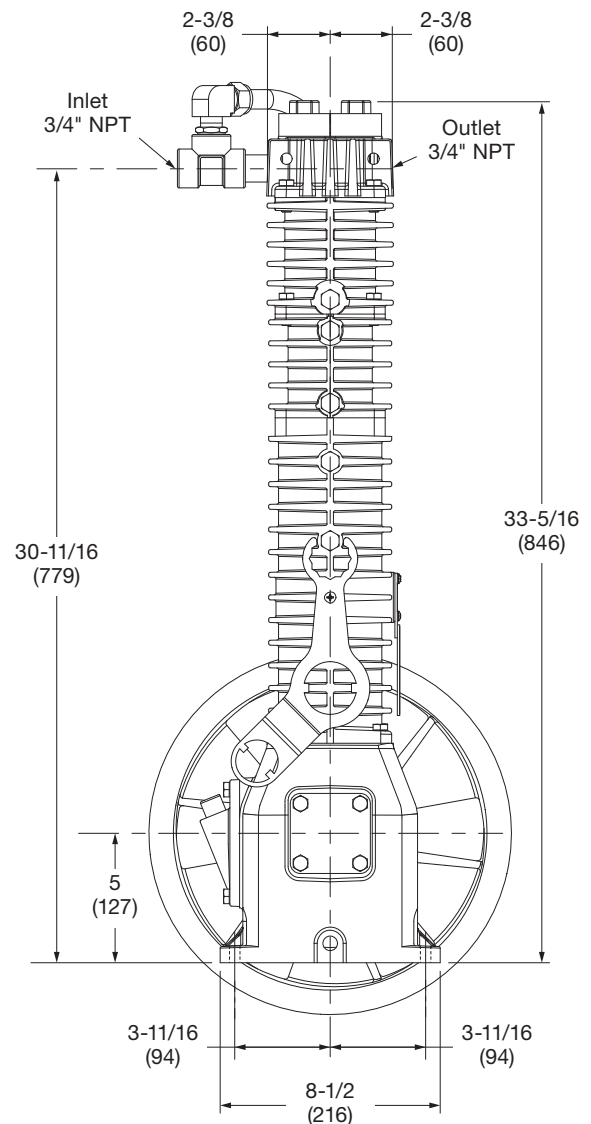
*Suction pressure changes throughout the process. Average is calculated between the initial and final suction pressure.

This table is for illustrative purposes only. For exact sizing, please contact Corken.

Model T91 Outline Dimensions



Model T91-103 mounting



All dimensions are in inches (millimeters)

Solutions beyond products...

CORKEN

CORKEN, INC. • A Unit of IDEX Corporation
 9201 North I-35 Service Road, Oklahoma City, OK. 73131 U.S.A.
 Phone (405) 946-5576 • FAX (405) 948-7343
 Website: www.corken.com • E-mail: cocsalesdept@idexcorp.com

