

# BVV™ FxFxM STREET TEE

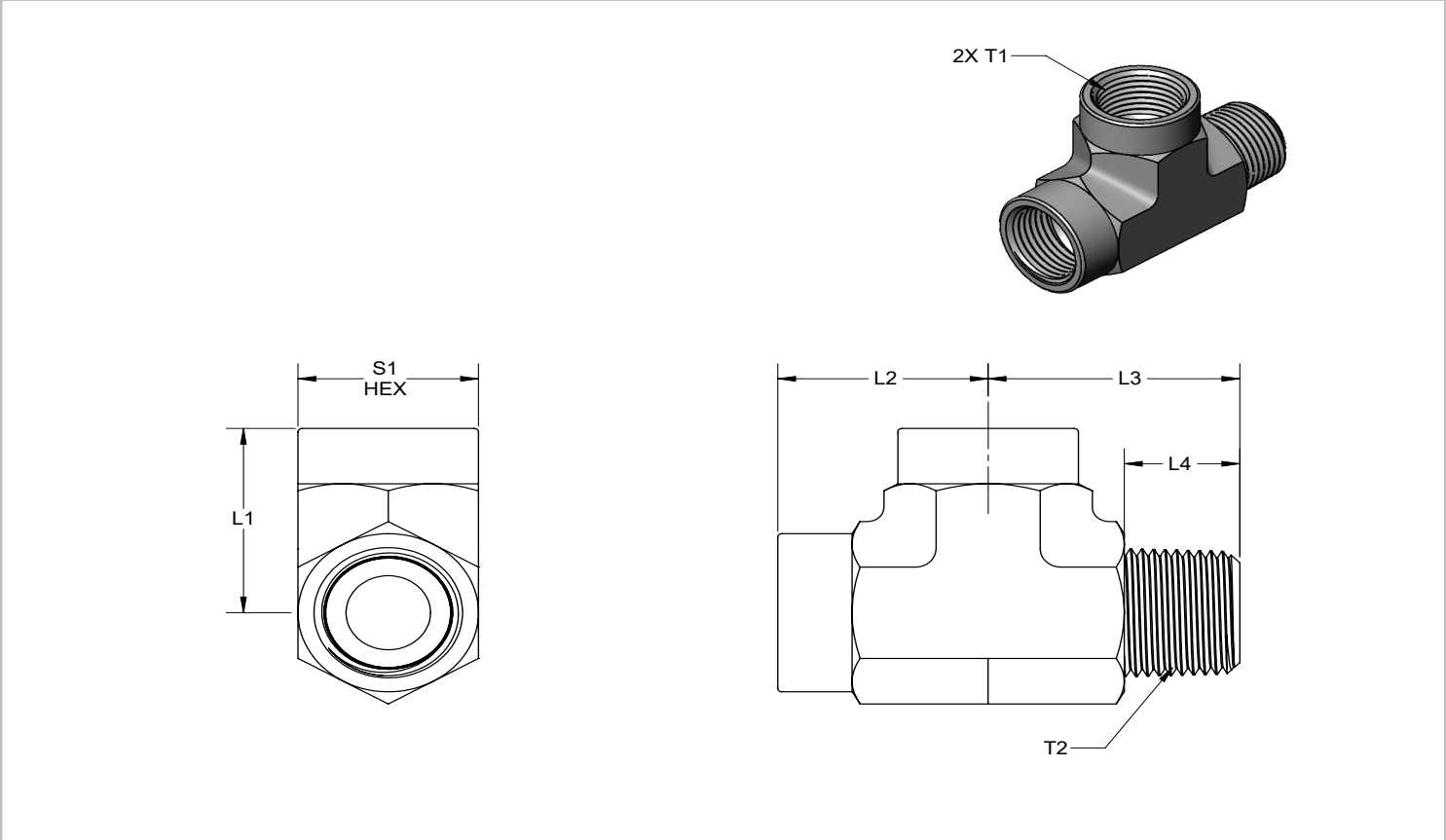
<b>Material:</b>	304 Stainless Steel
<b>Specifications Met:</b>	ASME B1.20.1
<b>Maximum Pressure:</b>	2500 psi @ 72°F
<b>Temperature Range:</b>	-320° - 500°F
<b>Maximum Vacuum</b>	29 in. of Hg @ 72°F
<b>Country of Origin</b>	China
<b>Use With:</b>	Butane, Propane, DME, Ethanol, Glycol, Air, Hydraulic Fluid, Natural Gas, Phosphoric Acid, and Water
<b>Note:</b>	Chemical compatibility must be determined by the customer based on the conditions in which the product is being used, including the presence of other chemicals, temperature, and consistency.
<b>Manufacturer Certification</b>	ISO 9001:2015
<b>Pipe Connection Type</b>	NPT
<b>Fabrication</b>	Forged then machined




## FITTING SPECIFICATIONS

Part No.	Thread Size (in)		Dimensions (in)				
	T1	T2	L1	L2	L3	L4	S1
BVV04ST	1/4 " X18 NPT	1/4 " X18 NPT	0.810	0.810	1.140	0.660	0.742
BVV06ST	3/8 " X18 NPT	3/8 " X18 NPT	1.306	1.306	1.273	0.660	0.868
BVV08ST	1/2 " X14 NPT	1/2 " X14 NPT	1.233	1.233	1.493	0.856	1.052
BVV16ST	1 " X11.5 NPT	1 " X11.5 NPT	1.65	1.665	2.135	0.97	1.608

# BVV™ FxFxM STREET TEE



TITLE: BVVST		MATERIAL: 304 SS		NAME	TOLERANCES UNLESS OTHERWISE SPECIFIED		<b>PROPRIETARY AND CONFIDENTIAL</b> THE INFORMATION CONTAINED IN THIS DRAWING IS THE SOLE PROPERTY OF BEST VALUE VACS. ANY REPRODUCTION IN PART OR AS A WHOLE WITHOUT THE WRITTEN PERMISSION OF BEST VALUE VACS IS PROHIBITED.
DATE: 4/5/2022	REVISION: 00	FINISH: N/A	DRAWN	JB			
SHEET: 1 OF 1	SHEET SIZE: A	UNITS: IN	CHECKED	ENG APPR.	DECIMALS    IN    MM X            +/- .1    +/- .8 XX          +/- .01    +/- .25 XXX        +/- .00 ANGULAR    +/- .1°    +/- .1°		