

# BVV™ STREET ELBOW

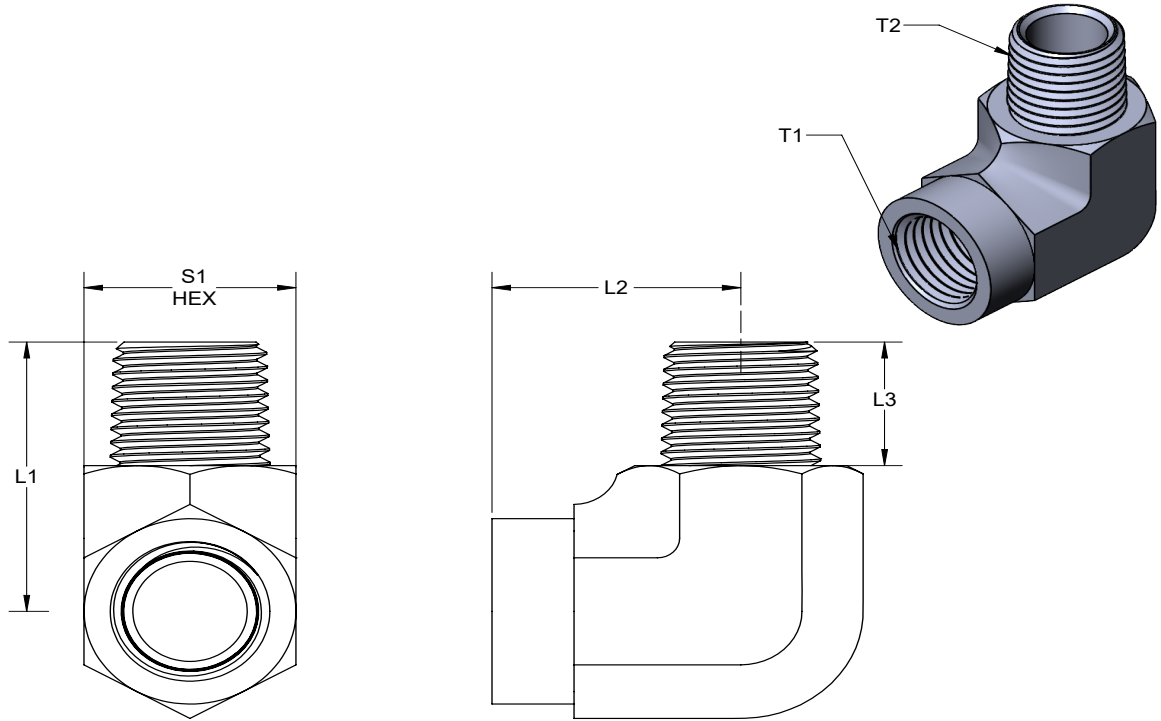
<b>Material:</b>	304 Stainless Steel
<b>Specifications Met:</b>	ASME B1.20.1, ISO 8434, and SAE J514v
<b>Maximum Pressure:</b>	2500 psi @ 72°F
<b>Temperature Range:</b>	-320° - 500°F
<b>Maximum Vacuum</b>	29 in. of Hg @ 72°F
<b>Country of Origin</b>	China
<b>Use With:</b>	Butane, Propane, DME, Ethanol, Glycol, Air, Hydraulic Fluid, Natural Gas, Phosphoric Acid, and Water
<b>Note:</b>	Chemical compatibility must be determined by the customer based on the conditions in which the product is being used, including the presence of other chemicals, temperature, and consistency.
<b>Manufacturer Certification</b>	ISO 9001:2015
<b>Pipe Connection Type</b>	NPT
<b>Fabrication</b>	Forged then machined
<b>RoHS</b>	RoHS (2015/863/EU) Compliant




## FITTING SPECIFICATIONS

Part No.	Thread Size (in)		Dimensions (in)			
	T1	T2	L1	L2	L3	S1
BVV04SE	1/4 " X18 NPT	1/4 " X18 NPT	1.039	0.830	0.592	0.742
BVV06SE	3/8 " X18 NPT	3/8 " X18 NPT	1.220	0.982	0.688	0.868
BVV0604SE	3/8 " X18 NPT	1/4 " X18 NPT	1.137	0.982	0.583	0.868
BVV08SE	1/2 " X14 NPT	1/2 " X14 NPT	1.491	1.084	0.859	1.052
BVV16SE	1 " X11.5 NPT	1 " X11.5 NPT	2.025	1.555	0.980	1.595

# BVV™ STREET ELBOW



TITLE: BVVSE		MATERIAL: 304 SS		NAME	TOLERANCES UNLESS OTHERWISE SPECIFIED  DECIMALS    IN    MM X            +/- .1    +/- .8 XX          +/- .01    +/- .25 XXX        +/- .005 ANGULAR    +/- .1°    +/- .1°		<b>PROPRIETARY AND CONFIDENTIAL</b>  THE INFORMATION CONTAINED IN THIS DRAWING IS THE SOLE PROPERTY OF BEST VALUE VACS. ANY REPRODUCTION IN PART OR AS A WHOLE WITHOUT THE WRITTEN PERMISSION OF BEST VALUE VACS IS PROHIBITED.
DATE: 3/18/2022	REVISION: 00	FINISH: N/A	DRAWN	JB			
SHEET: 1 OF 1	SHEET SIZE: A	UNITS: IN	CHECKED	ENG APPR.			