

# BVV™ PIPE NIPPLE

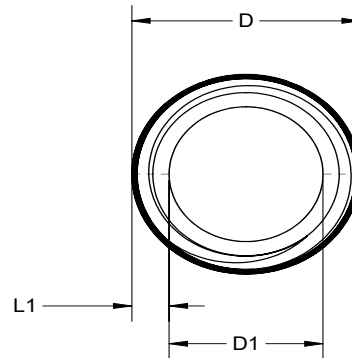
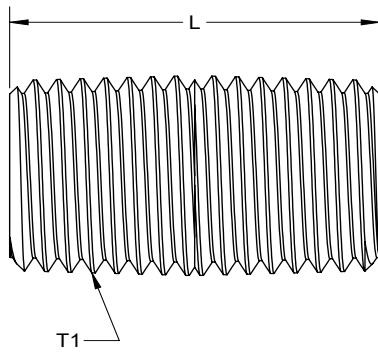
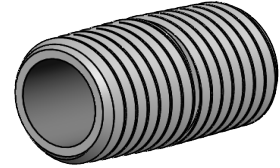
<b>Material:</b>	304 Stainless Steel
<b>Maximum Pressure:</b>	2500 psi @ 72°F
<b>Temperature Range:</b>	-320° - 500°F
<b>Maximum Vacuum</b>	29 in. of Hg @ 72°F
<b>Country of Origin</b>	USA
<b>Use With:</b>	Butane, Propane, DME, Ethanol, Glycol, Air, Hydraulic Fluid, Natural Gas, Phosphoric Acid, and Water
<b>Note:</b>	Chemical compatibility must be determined by the customer based on the conditions in which the product is being used, including the presence of other chemicals, temperature, and consistency.
<b>Schedule</b>	40
<b>Construction</b>	Welded
<b>Manufacturer Certification</b>	ISO 9001:2015
<b>Specifications Met</b>	ASTM A312, A733, B36.19, B1.20.1, ASME B1.20.1, ISO 8434, and SAE J514
<b>RoHS</b>	RoHS (2015/863/EU) Compliant




## FITTING SPECIFICATIONS

Part No.	Thread Size (in)	Dimensions (in)			
	T1	L1	L	D1	D
BVV04PN	1/4 " X18 NPT	0.088	0.875	0.364	0.540
BVV06PN	3/8 " X18 NPT	0.091	1.000	0.493	0.657
BVV08PN	1/2 " X14 NPT	0.109	1.125	0.622	0.840
BVV12PN	3/4 " X14 NPT	0.113	1.375	0.824	1.050
BVV16PN	1 " X11.5 NPT	0.133	1.500	1.049	1.315

# BVV™ PIPE NIPPLE



TITLE: BVVPN		MATERIAL: 304 SS		NAME	<small>TOLERANCES UNLESS OTHERWISE SPECIFIED</small> <small>DECIMALS    IN    MM</small> <small>X            +0.1    +0.8</small> <small>XX          +0.01   +0.25</small> <small>XXX        +0.00</small> <small>ANGULAR    +0.1°    +0.1°</small>		<small>PROPRIETARY AND CONFIDENTIAL</small> <small>THE INFORMATION CONTAINED IN THIS DRAWING IS THE SOLE PROPERTY OF BEST VALUE VACS. ANY REPRODUCTION IN PART OR AS A WHOLE WITHOUT THE WRITTEN PERMISSION OF BEST VALUE VACS IS PROHIBITED.</small>	
DATE: 3/18/2022		REVISION: 00	FINISH: N/A	DRAWN				JB
SHEET: 1 OF 1	SHEET SIZE: A	UNITS: IN	CHECKED	ENG APPR.				