

# BVV™ 37° MJIC UNION

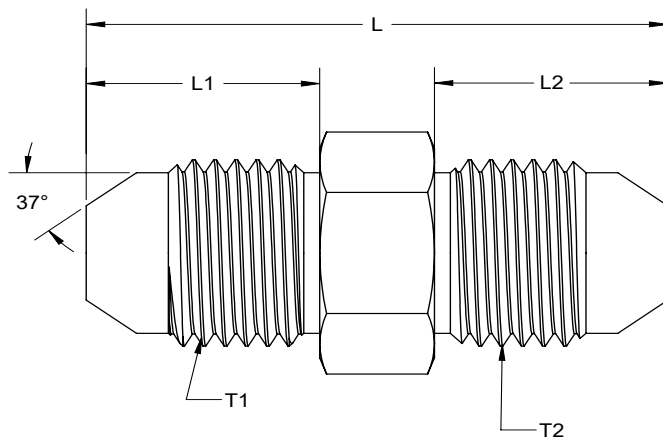
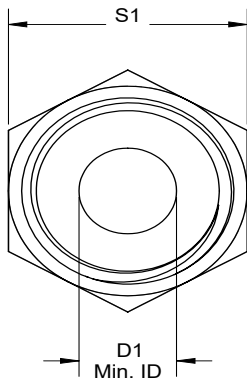
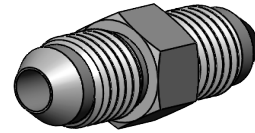
<b>Material:</b>	304 Stainless Steel
<b>Specifications Met:</b>	ASME B1.20.1, ISO 8434, and SAE J514
<b>Maximum Pressure:</b>	2500 psi @ 72°F
<b>Temperature Range:</b>	-320° - 500°F
<b>Maximum Vacuum</b>	29 in. of Hg @ 72°F
<b>Country of Origin</b>	China
<b>Use With:</b>	Butane, Propane, DME, Ethanol, Glycol, Air, Hydraulic Fluid, Natural Gas, Phosphoric Acid, and Water
<b>Note:</b>	Chemical compatibility must be determined by the customer based on the conditions in which the product is being used, including the presence of other chemicals, temperature, and consistency.
<b>Manufacturer Certification</b>	ISO 9001:2015
<b>Flared Connection Type</b>	Male 37° JIC
<b>RoHS</b>	RoHS (2015/863/EU) Compliant




## FITTING SPECIFICATIONS

Part No.	Hose Size	Thread Size (in)		Dimensions (in)				
		T1	T2	L1	L2	L	S1	D1
BVVMJICUNION04	1/4 "	7/16 " X20 JIC	7/16 " X20 JIC	0.551	0.551	1.339	0.472	0.170
BVVMJICUNION0604	(1/4") / (3/8")	7/16 " X20 JIC	9/16 " X18 JIC	0.551	0.555	1.417	0.669	0.170
BVVMJICUNION06	3/8 "	9/16 " X18 JIC	9/16 " X18 JIC	0.555	0.555	1.346	0.669	0.300
BVVMJICUNION08	1/2 "	3/4 " X16 JIC	3/4 " X16 JIC	0.657	0.657	1.654	0.866	0.390

# BVV™ 37° MJIC UNION



TITLE: BVVMJICUNION		MATERIAL: 304 SS		NAME	TOLERANCES UNLESS OTHERWISE SPECIFIED  DECIMALS IN MM X ±.1 ±.8 .XX ±.01 ±.25 .XXX ±.00 ANGULAR ±.1° ±.1°		<b>PROPRIETARY AND CONFIDENTIAL</b>  THE INFORMATION CONTAINED IN THIS DRAWING IS THE SOLE PROPERTY OF BEST VALUE VACS. ANY REPRODUCTION IN PART OR AS A WHOLE WITHOUT THE WRITTEN PERMISSION OF BEST VALUE VACS IS PROHIBITED.
DATE: 3/17/2022		REVISION: 00	UNITS: IN	DRAWN			
SHEET: 1 OF 1		SHEET SIZE: A	SCALE: 3:1	CHECKED			
			ENG APPR.	JB			