

# BVV™ 37° MJIC UNION

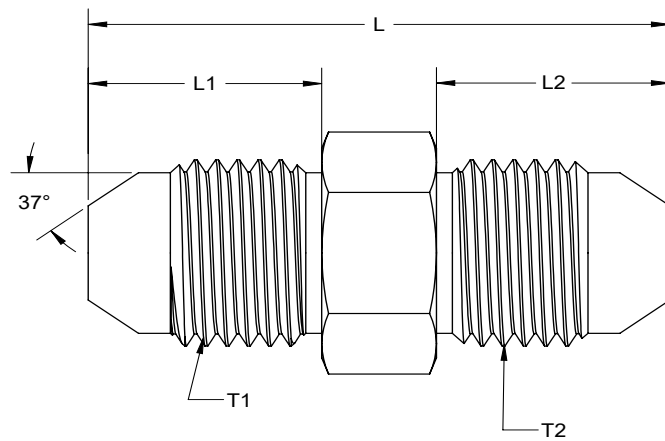
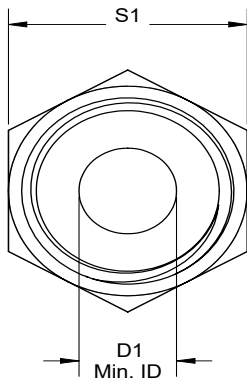
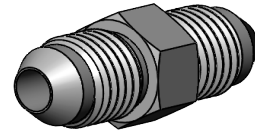
|                                   |  |
|-----------------------------------|--|
| <b>Material:</b>                  | 304 Stainless Steel  |
| <b>Specifications Met:</b>        | SAE J514, ASME B1.20.1   |
| <b>Maximum Pressure:</b>          | 2500 psi @ 72°F  |
| <b>Temperature Range:</b>         | -320° - 500°F  |
| <b>Maximum Vacuum</b>             | 29 in. of Hg @ 72°F  |
| <b>Country of Origin</b>          | China  |
| <b>Use With:</b>                  | Butane, Propane, DME, Ethanol, Glycol, Air, Hydraulic Fluid, Natural Gas, Phosphoric Acid, and Water   |
| <b>Note:</b>                      | Chemical compatibility must be determined by the customer based on the conditions in which the product is being used, including the presence of other chemicals, temperature, and consistency. |
| <b>Manufacturer Certification</b> | ISO 9001:2015  |
| <b>Flared Connection Type</b>     | Male 37° JIC   |




## FITTING SPECIFICATIONS

| Part No.         | Hose Size       | Thread Size (in) |                | Dimensions (in) |       |       |       |       |
|------------------|-----------------|------------------|----------------|-----------------|-------|-------|-------|-------|
|                  |                 | T1               | T2             | L1              | L2    | L     | S1    | D1    |
| BVVMJICUNION04   | 1/4 "           | 7/16 " X20 JIC   | 7/16 " X20 JIC | 0.551           | 0.551 | 1.339 | 0.472 | 0.170 |
| BVVMJICUNION0604 | (1/4") / (3/8") | 7/16 " X20 JIC   | 9/16 " X18 JIC | 0.551           | 0.555 | 1.417 | 0.669 | 0.170 |
| BVVMJICUNION06   | 3/8 "           | 9/16 " X18 JIC   | 9/16 " X18 JIC | 0.555           | 0.555 | 1.346 | 0.669 | 0.300 |
| BVVMJICUNION08   | 1/2 "           | 3/4 " X16 JIC    | 3/4 " X16 JIC  | 0.657           | 0.657 | 1.654 | 0.866 | 0.390 |

# BVV™ 37° MJIC UNION



|                     |  |                  |            |         |  |   |   |
|---------------------|--|------------------|------------|---------|--|---|---|
| TITLE: BVVMJICUNION |  | MATERIAL: 304 SS |            | NAME    | TOLERANCES<br>UNLESS OTHERWISE SPECIFIED<br><br>DECIMALS IN MM<br>X ±.1 ±.8<br>XX ±.01 ±.25<br>XXX ±.00<br>ANGULAR ±.1° ±.1° |  | <b>PROPRIETARY AND CONFIDENTIAL</b><br><br>THE INFORMATION CONTAINED IN THIS DRAWING IS THE SOLE PROPERTY OF BEST VALUE VACS. ANY REPRODUCTION IN PART OR AS A WHOLE WITHOUT THE WRITTEN PERMISSION OF BEST VALUE VACS IS PROHIBITED. |
| DATE: 3/17/2022     |  | REVISION: 00     | UNITS: IN  | DRAWN   |  |   |   |
| SHEET: 1 OF 1       |  | SHEET SIZE: A    | SCALE: 3:1 | CHECKED |  |   |   |
|                     |  |                  | ENG APPR.  | JB      |  |   |   |