

BVV™ 37° MJIC TEE

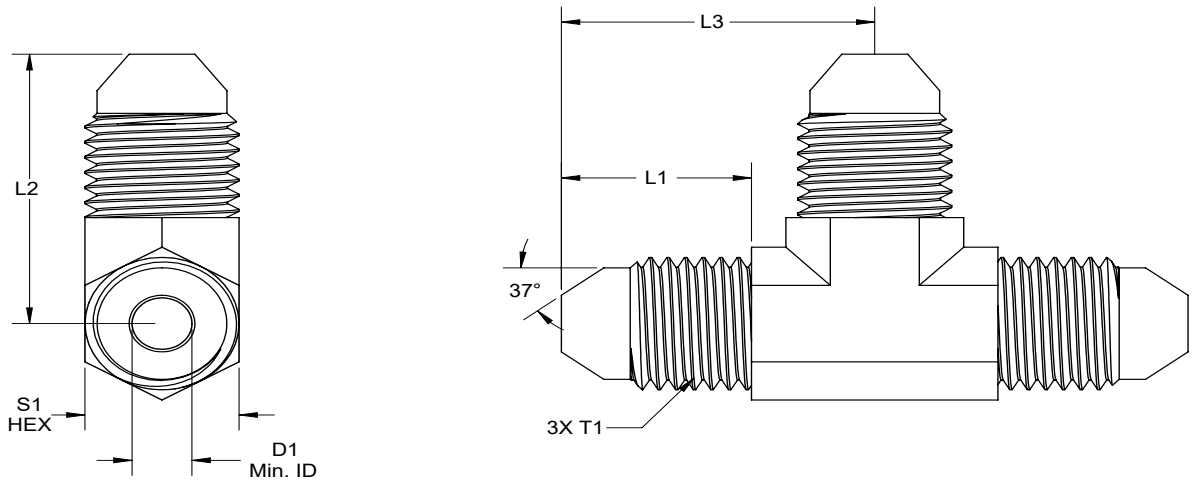
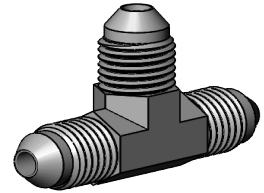
Material:	304 Stainless Steel
Specifications Met:	ASME B1.20.1, ISO 8434, and SAE J514
Maximum Pressure:	2500 psi @ 72°F
Temperature Range:	-320° - 500°F
Maximum Vacuum	29 in. of Hg @ 72°F
Country of Origin	China
Use With:	Butane, Propane, DME, Ethanol, Glycol, Air, Hydraulic Fluid, Natural Gas, Phosphoric Acid, and Water
Note:	Chemical compatibility must be determined by the customer based on the conditions in which the product is being used, including the presence of other chemicals, temperature, and consistency.
Manufacturer Certification	ISO 9001:2015
Flared Connection Type	Male 37° JIC
Fabrication	Forged then machined
RoHS	RoHS (2015/863/EU) Compliant




FITTING SPECIFICATIONS

Part No.	Hose Size	Thread Size (in)	Dimensions (in)				
			T1	L1	L2	L	S1
BVVMJICT04	1/4 "	7/16 " X20 JIC	0.540	0.890	1.780	0.437	0.170
BVVMJICT06	3/8 "	9/16 " X18 JIC	0.540	1.060	2.120	0.562	0.300
BVVMJICT08	1/2 "	3/4 " X16 JIC	0.640	1.250	2.500	0.750	0.390

BVV™ 37° MJIC TEE



TITLE: BVVMJICT		MATERIAL: 304 SS		NAME	TOLERANCES UNLESS OTHERWISE SPECIFIED		PROPRIETARY AND CONFIDENTIAL THE INFORMATION CONTAINED IN THIS DRAWING IS THE SOLE PROPERTY OF BEST VALUE VACS. ANY REPRODUCTION IN PART OR AS A WHOLE WITHOUT THE WRITTEN PERMISSION OF BEST VALUE VACS IS PROHIBITED.
DATE: 4/1/2022	REVISION: 00	FINISH: N/A	DRAWN	JB			
SHEET: 1 OF 1	SHEET SIZE: A	UNITS: IN	CHECKED	ENG APPR.	DECIMALS IN MM X +/- .1 +/- .8 XX +/- .01 +/- .25 XXX +/- .005 ANGULAR +/- .1° +/- .1°		