

BVV™ 37° MJIC X MNPT

Material:	304 Stainless Steel
Specifications Met:	ASME B1.20.1, ISO 8434, and SAE J514
Maximum Pressure:	2500 psi @ 72°F
Temperature Range:	-320° - 500°F
Maximum Vacuum	29 in. of Hg @ 72°F
Country of Origin	China
Use With:	Butane, Propane, DME, Ethanol, Glycol, Air, Hydraulic Fluid, Natural Gas, Phosphoric Acid, and Water
Note:	Chemical compatibility must be determined by the customer based on the conditions in which the product is being used, including the presence of other chemicals, temperature, and consistency.
Manufacturer Certification	ISO 9001:2015
Pipe Connection Type	Male NPT
Flared Connection Type	Male 37° JIC
RoHS	RoHS (2015/863/EU) Compliant



FITTING SPECIFICATIONS

Part No.	Hose Size	Thread Size (in)		Dimensions (in)				
		T1	T2	L1	L2	L	S1	D1
BVVMJICMNPT04	1/4 "	7/16 " X20 JIC	1/4 " X18 NPT	0.551	0.591	1.417	0.551	0.170
BVVMJIC04MNPT06	1/4 "	7/16 " X20 JIC	3/8 " X18 NPT	0.551	0.630	1.417	0.866	0.170
BVVMJIC06MNPT04	3/8 "	9/16 " X18 JIC	1/4 " X18 NPT	0.555	0.591	1.437	0.669	0.300
BVVMJICMNPT06	3/8 "	9/16 " X18 JIC	3/8 " X18 NPT	0.555	0.630	1.437	0.748	0.300
BVVMJIC08MNPT06	1/2 "	7/8 " X14 JIC	3/8 " X18 NPT	0.760	0.630	1.791	0.945	0.390
BVVMJICMNPT08	1/2 "	7/8 " X14 JIC	1/2 " X14 NPT	0.760	0.768	1.772	0.945	0.390
BVVMJIC12MNPT08	3/4 "	1.1/16 " X12 JIC	1/2 " X14 NPT	0.862	0.768	2.059	1.181	0.530
BVVMJICMNPT12	3/4 "	1.1/16 " X12 JIC	3/4 " X14 NPT	0.862	0.768	2.059	1.181	0.610
BVVMJIC12MNPT16	3/4 "	1.1/16 " X12 JIC	1 " X11.5 NPT	0.862	1.004	2.248	1.417	0.610
BVVMJICMNPT16	1 "	1.5/16 " X12 JIC	1 " X11.5 NPT	0.909	1.004	2.303	1.417	0.840

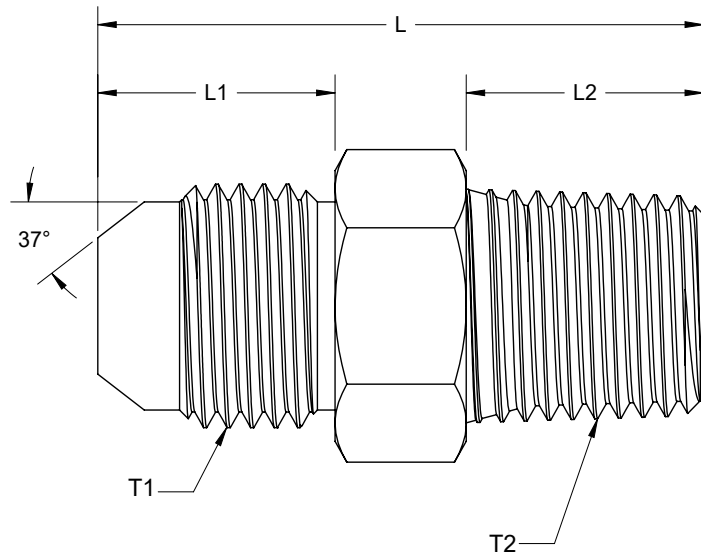
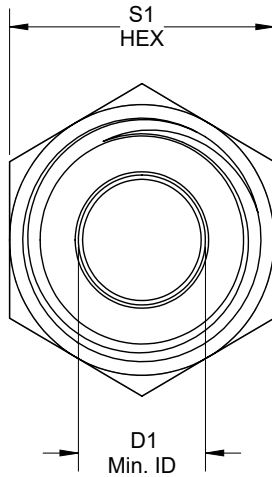
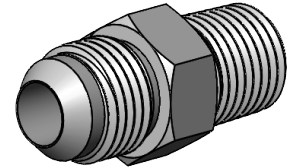



BUILDING VISION AND VARIETY

Technical Data Sheet

BVV™ 37° MJIC X MNPT

WWW.SHOPBVV.COM | SUPPORT@SHOPBVV.COM



TITLE: BVVMJICMNPT		MATERIAL: 304 SS		NAME	<small>TOLERANCES UNLESS OTHERWISE SPECIFIED</small> <small>DECIMALS IN MM</small> <small>X +/- .1 +/- .8</small> <small>XX +/- .01 +/- .25</small> <small>XXX +/- .00</small> <small>ANGULAR +/- .1° +/- .1°</small>		<small>PROPRIETARY AND CONFIDENTIAL</small> <small>THE INFORMATION CONTAINED IN THIS DRAWING IS THE SOLE PROPERTY OF BEST VALUE VACS. ANY REPRODUCTION IN PART OR AS A WHOLE WITHOUT THE WRITTEN PERMISSION OF BEST VALUE VACS IS PROHIBITED.</small>
DATE: 3/17/2022	REVISION: 00	FINISH: N/A	DRAWN	JB			
SHEET: 1 OF 1	SHEET SIZE: A	UNITS: IN	CHECKED	ENG APPR.			