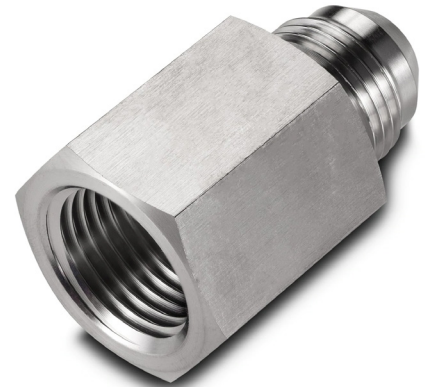


# BVV™ 37° MJIC X FNPT

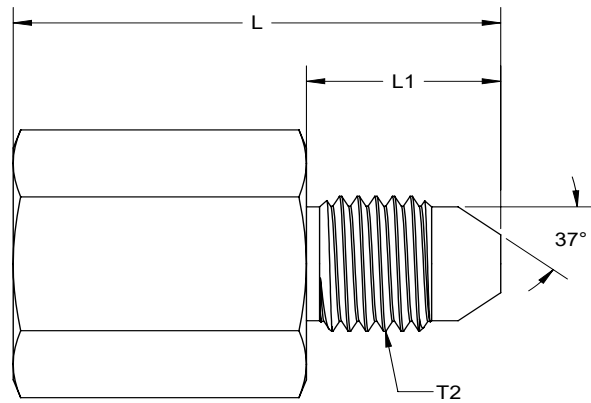
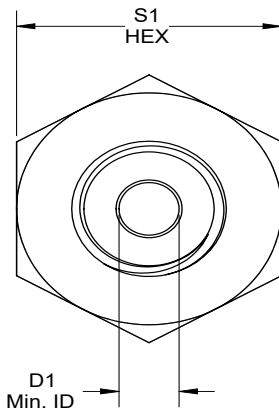
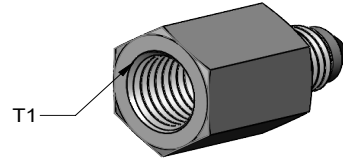
<b>Material:</b>	304 Stainless Steel
<b>Specifications Met:</b>	SAE J514, ASME B1.20.1
<b>Maximum Pressure:</b>	2500 psi @ 72°F
<b>Temperature Range:</b>	-320° - 500°F
<b>Maximum Vacuum</b>	29 in. of Hg @ 72°F
<b>Country of Origin</b>	China
<b>Use With:</b>	Butane, Propane, DME, Ethanol, Glycol, Air, Hydraulic Fluid, Natural Gas, Phosphoric Acid, and Water
<b>Note:</b>	Chemical compatibility must be determined by the customer based on the conditions in which the product is being used, including the presence of other chemicals, temperature, and consistency.
<b>Manufacturer Certification</b>	ISO 9001:2015
<b>Pipe Connection Type</b>	Female NPT
<b>Flared Connection Type</b>	Male 37° JIC




## FITTING SPECIFICATIONS

Part No.	Hose Size	Thread Size (in)		Dimensions (in)			
		T1	T2	L1	L	S1	D1
BVVMJICFNPT04	1/4 "	1/4 " X18 NPT	7/16 " X20 JIC	0.550	1.380	0.750	0.160
BVVMJIC06FNPT04	3/8 "	1/4 " X18 NPT	9/16 " X18 JIC	0.560	1.400	0.750	0.300
BVVMJICFNPT06	3/8 "	3/8 " X18 NPT	9/16 " X18 JIC	0.560	1.410	0.862	0.300
BVVMJIC04FNPT06	1/4 "	3/8 " X18 NPT	7/16 " X20 JIC	0.576	1.455	0.862	0.160
BVVMJIC08FNPT04	1/2 "	1/4 " X18 NPT	3/4 " X16 JIC	0.660	1.426	0.862	0.390
BVVMJIC08FNPT06	1/2 "	3/8 " X18 NPT	3/4 " X16 JIC	0.660	1.560	0.875	0.390
BVVMJICFNPT08	1/2 "	1/2 " X14 NPT	3/4 " X16 JIC	0.660	1.750	1.125	0.390

# BVV™ 37° MJIC X FNPT



TITLE: BVVMJICFNPT		MATERIAL: 304 SS		NAME	<small>TOLERANCES UNLESS OTHERWISE SPECIFIED</small> <small>DECIMALS    IN    MM</small> <small>X            +0.1    +0.8</small> <small>XX          +0.01   +0.25</small> <small>XXX        +0.00</small> <small>ANGULAR    +0.1°   +0.1°</small>		<small>PROPRIETARY AND CONFIDENTIAL</small> <small>THE INFORMATION CONTAINED IN THIS DRAWING IS THE SOLE PROPERTY OF BEST VALUE VACS. ANY REPRODUCTION IN PART OR AS A WHOLE WITHOUT THE WRITTEN PERMISSION OF BEST VALUE VACS IS PROHIBITED.</small>
DATE: 3/17/2022	REVISION: 00	FINISH: N/A	DRAWN	JB			
SHEET: 1 OF 1	SHEET SIZE: A	UNITS: IN	CHECKED				
		SCALE: 2.5:1	ENG APPR.				