

# BVV™ MALE ELBOW

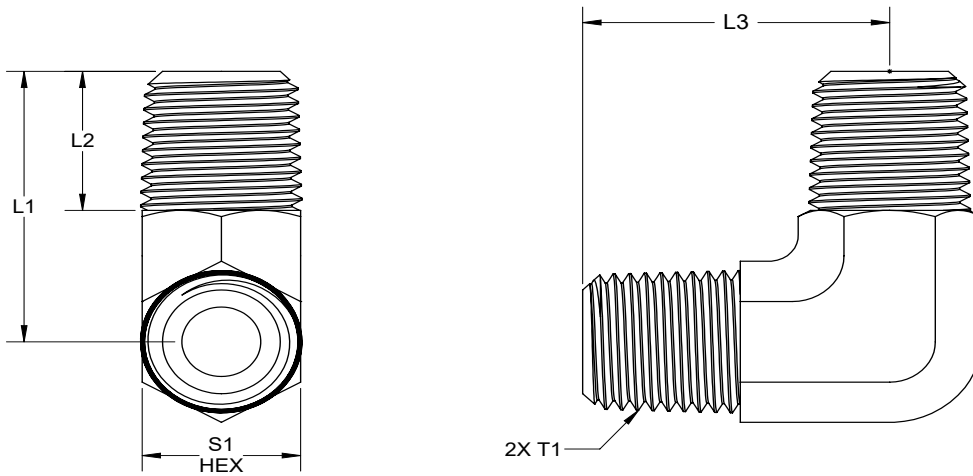
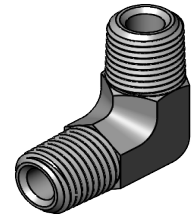
<b>Material:</b>	304 Stainless Steel
<b>Specifications Met:</b>	ASME B1.20.1, ISO 8434, and SAE J514
<b>Maximum Pressure:</b>	2500 psi @ 72°F
<b>Temperature Range:</b>	-320° - 500°F
<b>Maximum Vacuum</b>	29 in. of Hg @ 72°F
<b>Country of Origin</b>	China
<b>Use With:</b>	Butane, Propane, DME, Ethanol, Glycol, Air, Hydraulic Fluid, Natural Gas, Phosphoric Acid, and Water
<b>Note:</b>	Chemical compatibility must be determined by the customer based on the conditions in which the product is being used, including the presence of other chemicals, temperature, and consistency.
<b>Manufacturer Certification</b>	ISO 9001:2015
<b>Pipe Connection Type</b>	Male NPT
<b>Fabrication</b>	Forged then machined
<b>RoHS</b>	RoHS (2015/863/EU) Compliant




## FITTING SPECIFICATIONS

Part No.	Thread Size (in)	Dimensions (in)			
	T1	L1	L2	L3	S1
BVVME04	1/4 " X18 NPT	1.090	0.560	1.090	0.590
BVVME06	3/8 " X18 NPT	1.220	0.560	1.220	0.750

# BVV™ MALE ELBOW



TITLE: BVVME		MATERIAL: 304 SS		NAME	<small>           TOLERANCES            UNLESS OTHERWISE SPECIFIED            DECIMALS IN MM            X +/- .1 +/- .8            .XX +/- .01 +/- .25            .XXX +/- .00            ANGULAR +/- .1° +/- .1°         </small>		<b>PROPRIETARY AND CONFIDENTIAL</b>  <small>           THE INFORMATION CONTAINED IN THIS            DRAWING IS THE SOLE PROPERTY OF            BEST VALUE VACS. ANY REPRODUCTION            IN PART OR AS A WHOLE WITHOUT THE            WRITTEN PERMISSION OF BEST VALUE VACS            IS PROHIBITED.         </small>
DATE: 4/1/2022	REVISION: 00	FINISH: N/A	DRAWN	JB			
SHEET: 1 OF 1	SHEET SIZE: A	UNITS: IN	CHECKED	ENG APPR.			